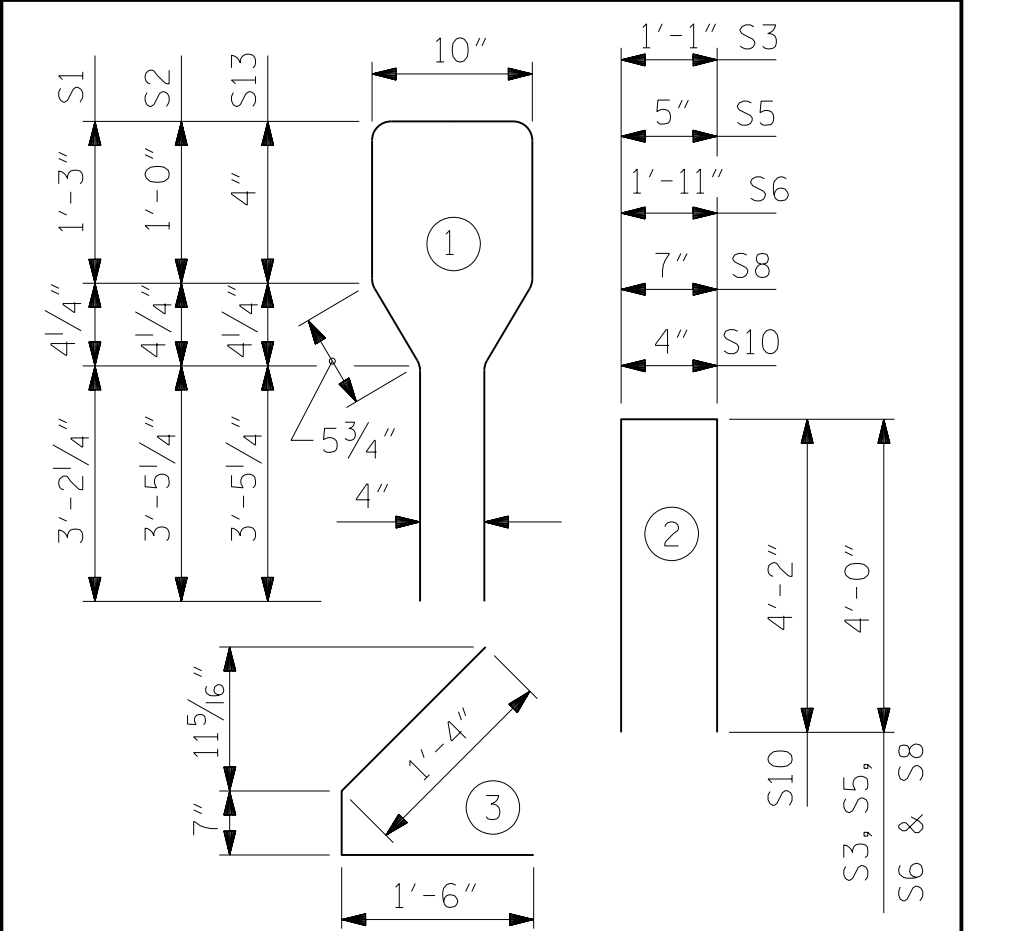


0.6" Ø L. R. GRADE 270 STRANDS		
AREA (SQUARE INCHES)	ULTIMATE STRENGTH (LBS. PER STRAND)	APPLIED PRESTRESS (LBS. PER STRAND)
0.217	58,600	43,950

REINFORCING STEEL FOR ONE GIRDER					
BAR	NUMBER	SIZE	TYPE	LENGTH	WEIGHT
S1	55	#4	1	10'-8"	392
S2	6	#6	1	10'-8"	96
S3	4	#4	2	9'-1"	24
S4	68	#4	3	3'-5"	155
S5	6	#4	2	8'-5"	34
S6	1	#4	2	9'-11"	7
* S7	12	#5	STR	3'-8"	46
S8	4	#4	2	8'-7"	23
S9	2	#3	STR	1'-10"	1
S10	2	#5	2	8'-8"	18
S11	5	#4	STR	7'-0"	23
S12	1	#3	STR	1'-4"	1
S13	7	#6	1	9'-4"	98

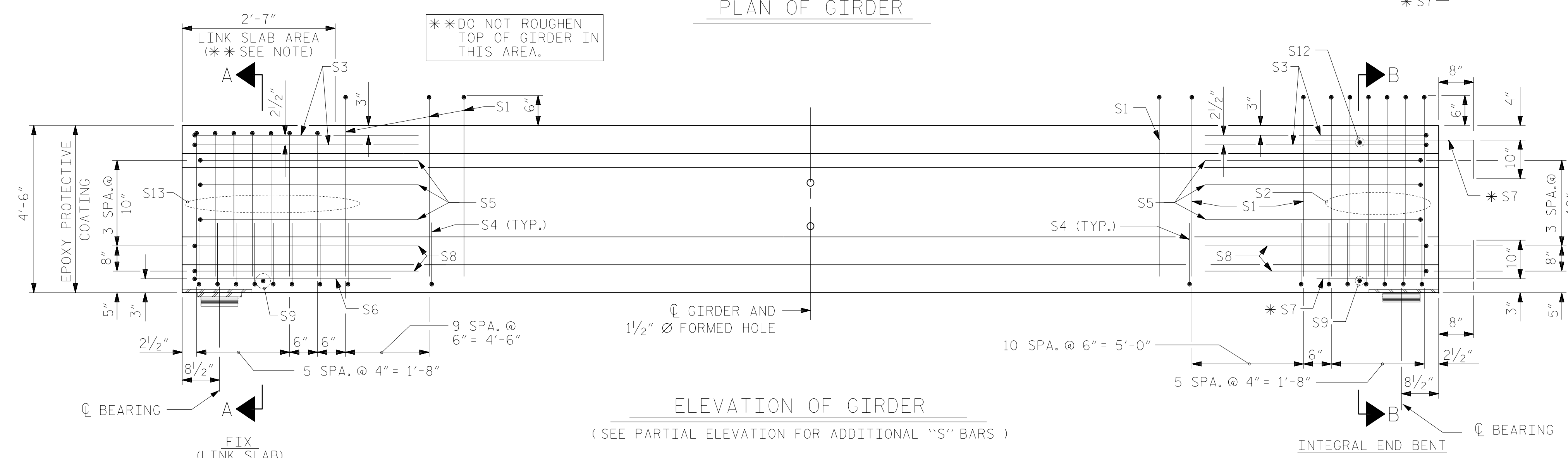
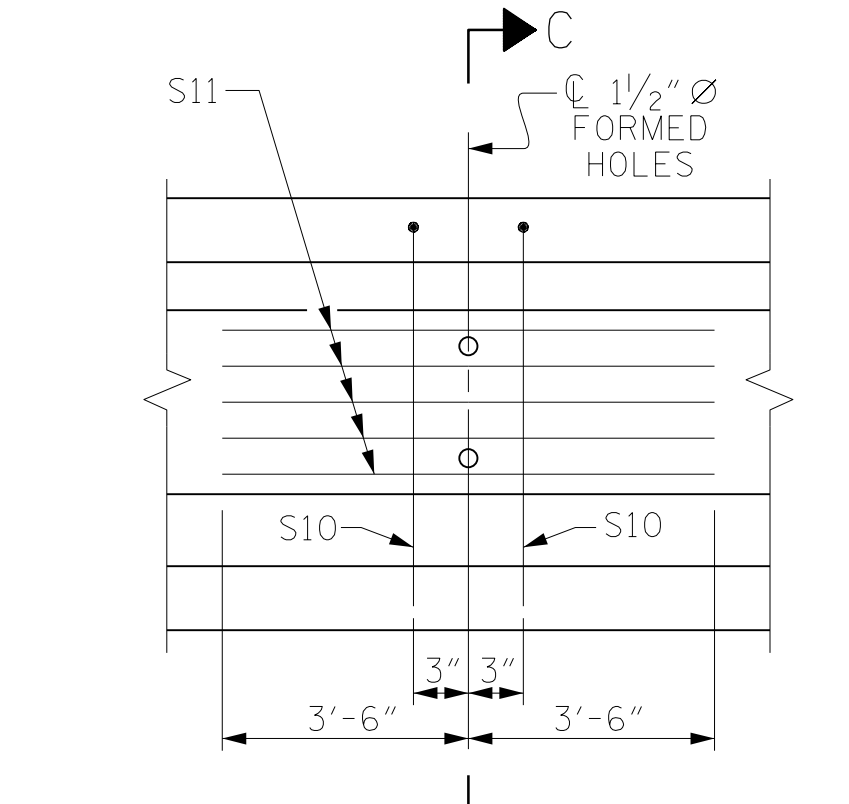
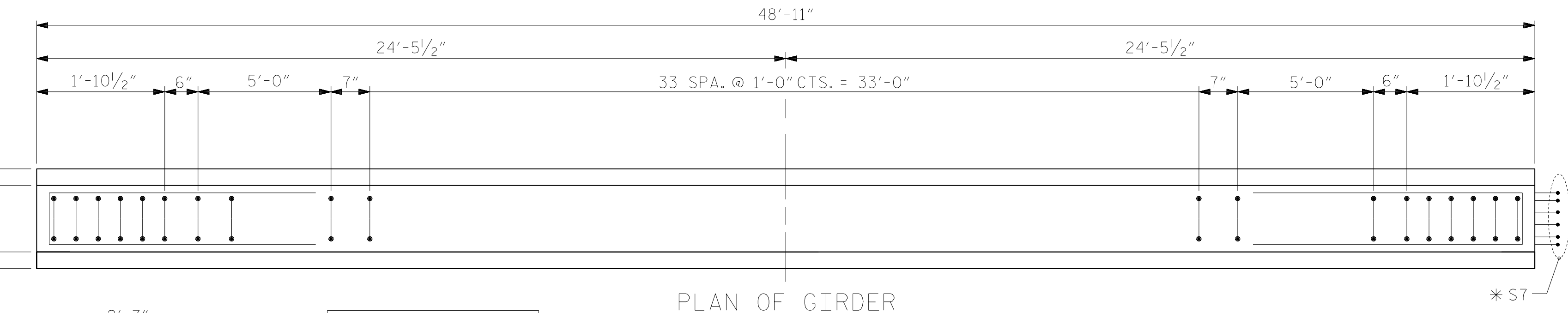
\* NOTE: S7 BARS SHALL BE BENT BEFORE SHIPMENT. HEAT BENDING SHALL NOT BE ALLOWED.

**BAR TYPES**  
ALL BAR DIMENSIONS ARE OUT-TO-OUT



**DEBONDING LEGEND**

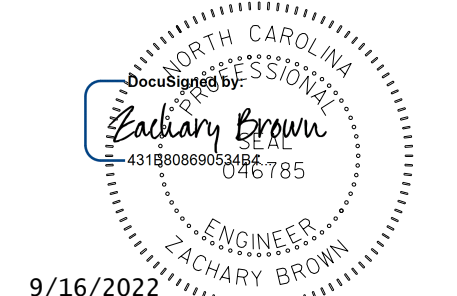
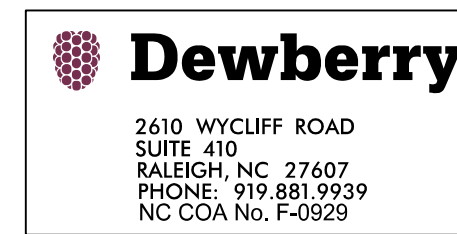
- FULLY BONDED STRANDS.
- ◻ STRANDS DEBONDED FOR 12'-0" FROM END OF GIRDER.



QUANTITIES FOR ONE GIRDER			
	REINFORCING STEEL	8000 PSI CONCRETE	0.6" Ø L. R. STRANDS
	LB.	C.Y.	No.
GIRDERS 1-6	918	10.0	24

GIRDERS REQUIRED		
NUMBER	LENGTH	TOTAL LENGTH
6	48'-11"	293'-6"

PROJECT NO. B-5318  
 WAKE COUNTY  
 STATION: 19+73.00 -L-



STATE OF NORTH CAROLINA  
 DEPARTMENT OF TRANSPORTATION  
 RALEIGH  
**STANDARD**  
 AASHTO TYPE IV  
 PRESTRESSED CONCRETE GIRDER  
 CONTINUOUS FOR LIVE LOAD  
 SPAN C

NO.	REVISIONS			SHEET NO.
	BY:	DATE:	NO.	
1			3	S-15
2			4	TOTAL SHEETS 41

DOCUMENT NOT CONSIDERED FINAL UNLESS ALL SIGNATURES COMPLETED

DRAWN BY: E. JONES DATE: JUNE 21  
 CHECKED BY: P. O'NEILL DATE: JUNE 21  
 DESIGN ENGINEER OF RECORD: Z. BROWN DATE: JUNE 21