

0.6" Ø L. R. GRADE 270 STRANDS		
AREA (SQUARE INCHES)	ULTIMATE STRENGTH (LBS. PER STRAND)	APPLIED PRESTRESS (LBS. PER STRAND)
0.217	58,600	43,950

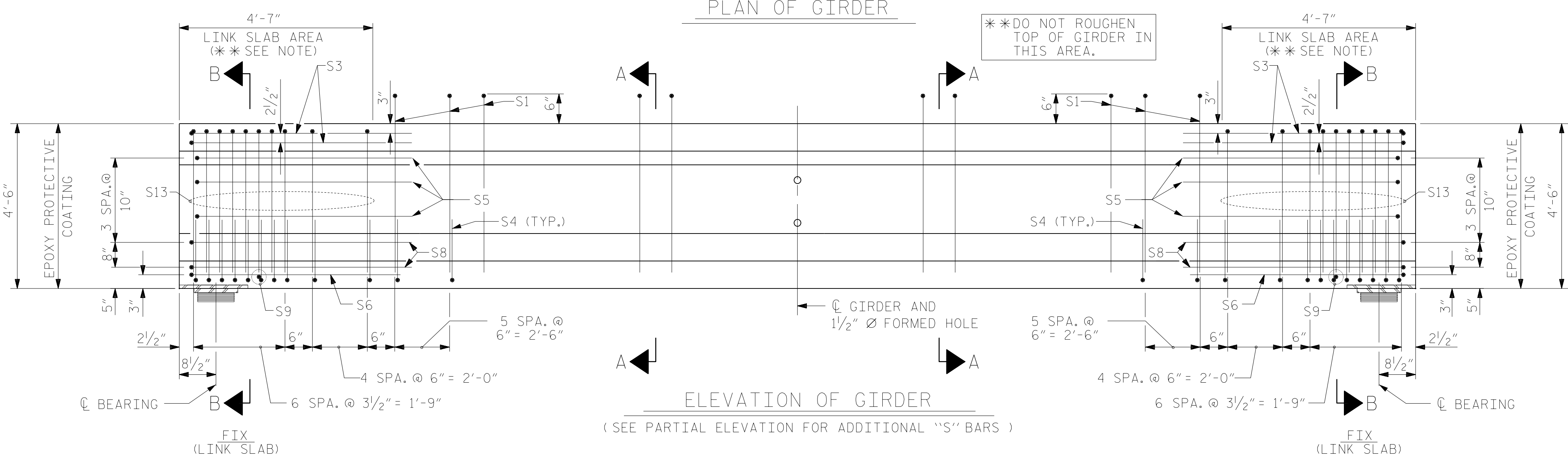
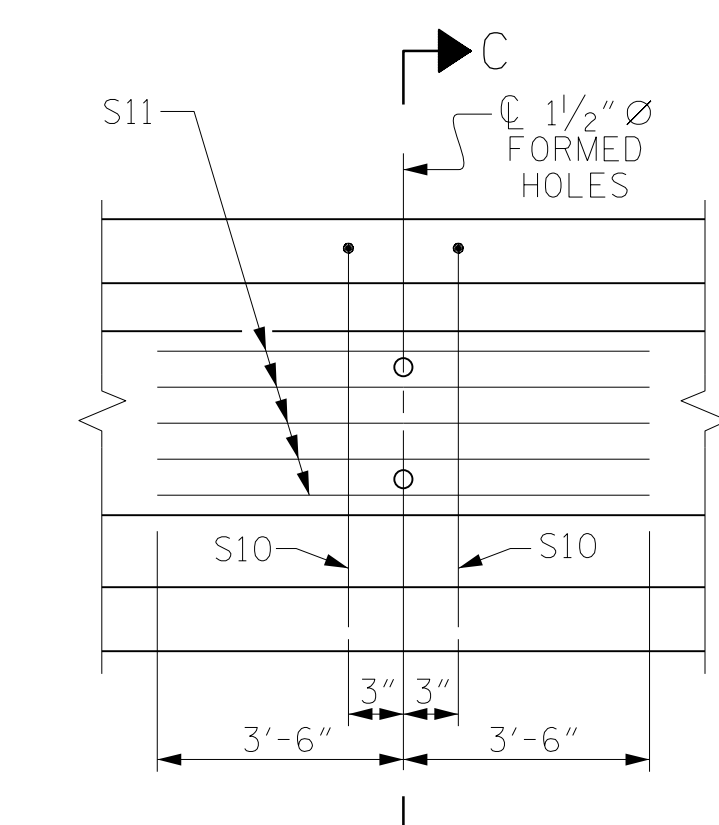
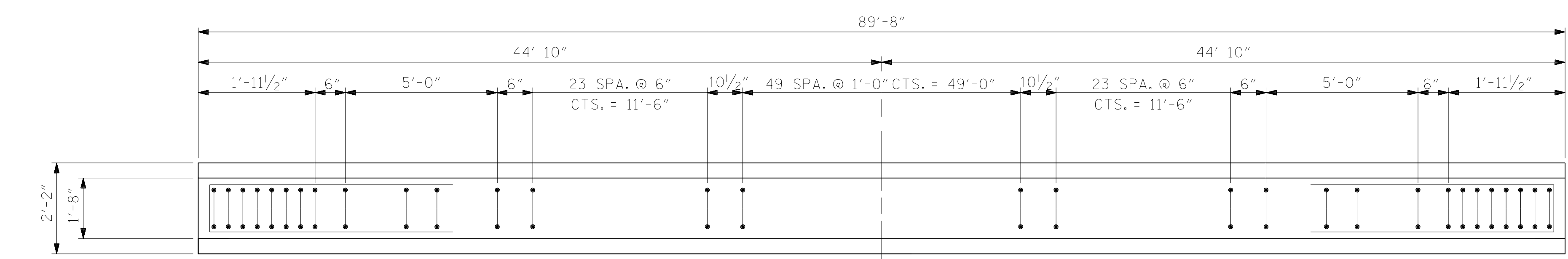
REINFORCING STEEL FOR ONE GIRDER					
BAR	NUMBER	SIZE	TYPE	LENGTH	WEIGHT
S1	110	#4	1	10'-8"	784
S3	4	#4	2	9'-1"	24
S4	72	#4	3	3'-5"	164
S5	6	#4	2	8'-5"	34
S6	2	#4	2	9'-11"	14
S8	4	#4	2	8'-7"	23
S9	2	#3	STR	1'-10"	1
S10	2	#5	2	8'-8"	18
S11	5	#4	STR	7'-0"	23
S13	24	#6	1	9'-4"	336

BAR TYPES	
ALL BAR DIMENSIONS ARE OUT-TO-OUT	



DEBONDING LEGEND

- FULLY BONDED STRANDS.
- ◻ STRANDS DEBONDED FOR 20'-0" FROM END OF GIRDER.
- ◐ STRANDS DEBONDED FOR 10'-0" FROM END OF GIRDER.

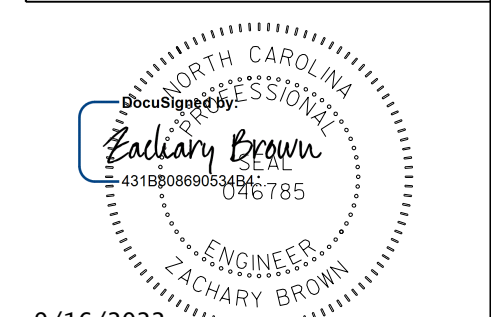
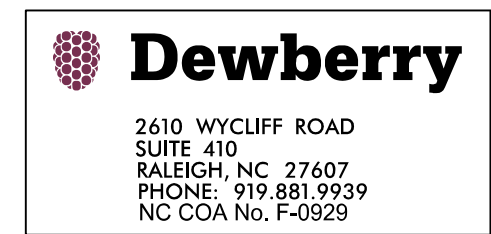


QUANTITIES FOR ONE GIRDER			
GIRDERS 1-6	REINFORCING STEEL	8000 PSI CONCRETE	0.6" Ø L. R. STRANDS
	LB.	C.Y.	No.
GIRDERS 1-6	1,421	18.2	40

GIRDERS REQUIRED		
NUMBER	LENGTH	TOTAL LENGTH
6	89'-8"	538'-0"

PROJECT NO. B-5318  
 WAKE COUNTY  
 STATION: 19+73.00 -L-



STATE OF NORTH CAROLINA  
 DEPARTMENT OF TRANSPORTATION  
 RALEIGH  
 STANDARD  
 AASHTO TYPE IV  
 PRESTRESSED CONCRETE GIRDER  
 CONTINUOUS FOR LIVE LOAD  
 SPAN B

DRAWN BY: E. JONES DATE: JUNE 21  
 CHECKED BY: P. O'NEILL DATE: JUNE 21  
 DESIGN ENGINEER OF RECORD: Z. BROWN DATE: JUNE 21

DOCUMENT NOT CONSIDERED  
 FINAL UNLESS ALL  
 SIGNATURES COMPLETED

REVISIONS						SHEET NO. S-14
NO.	BY:	DATE:	NO.	BY:	DATE:	
1			3			TOTAL SHEETS 41
2			4			