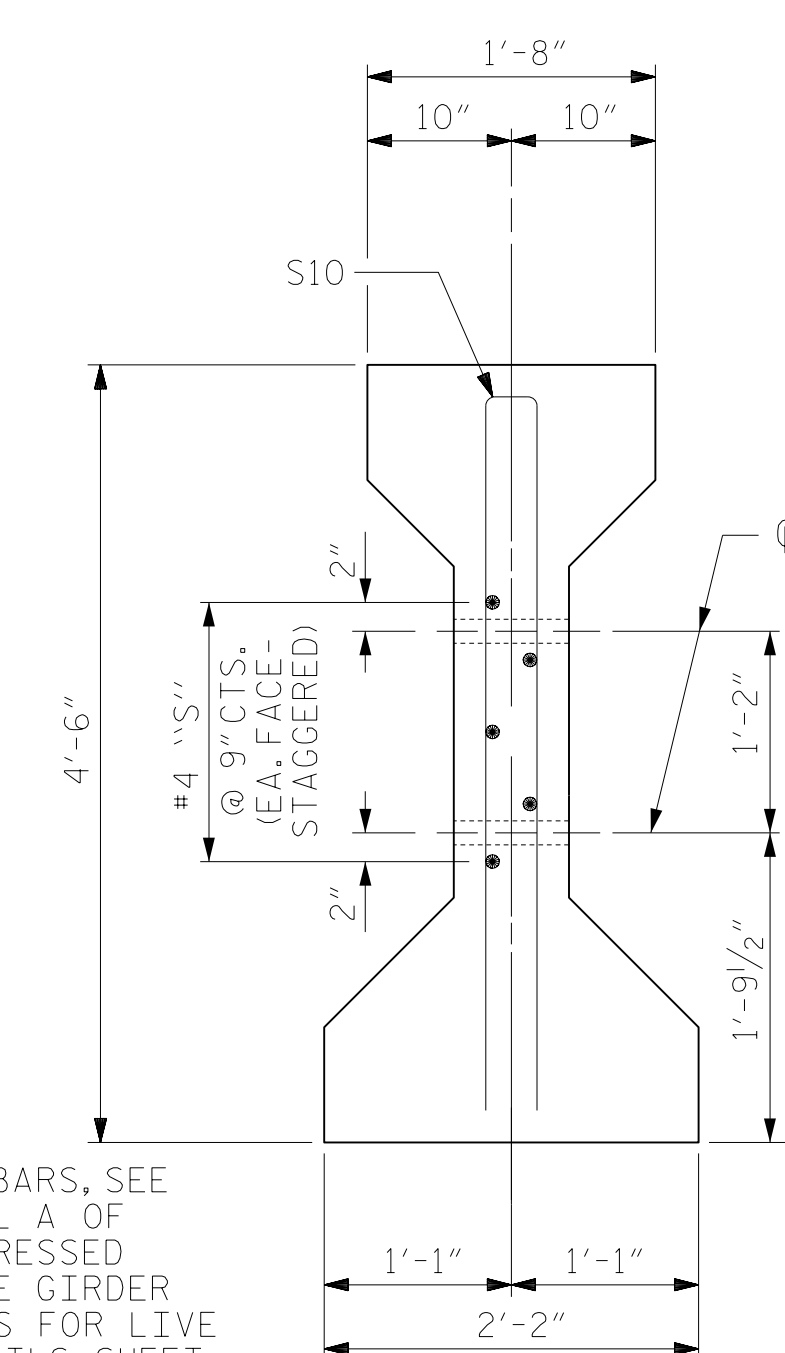
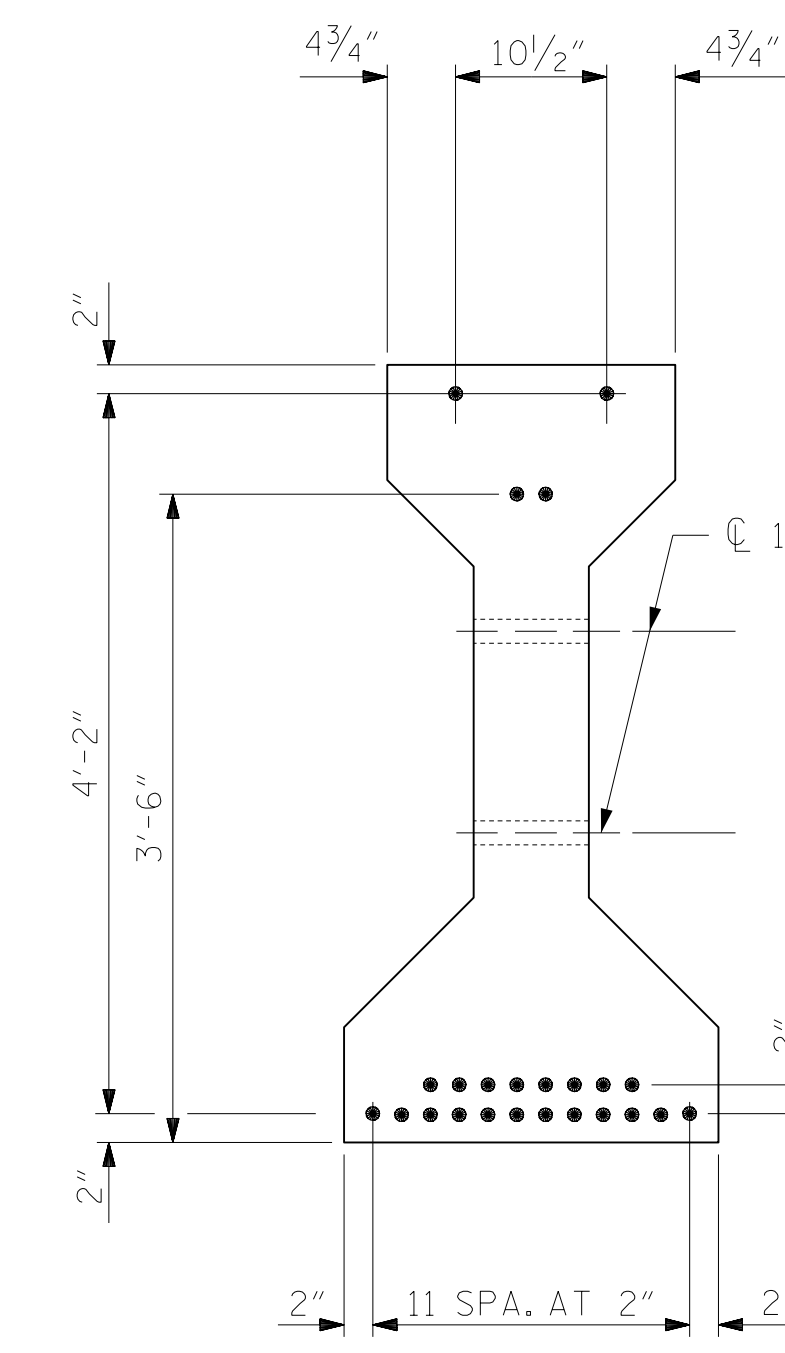
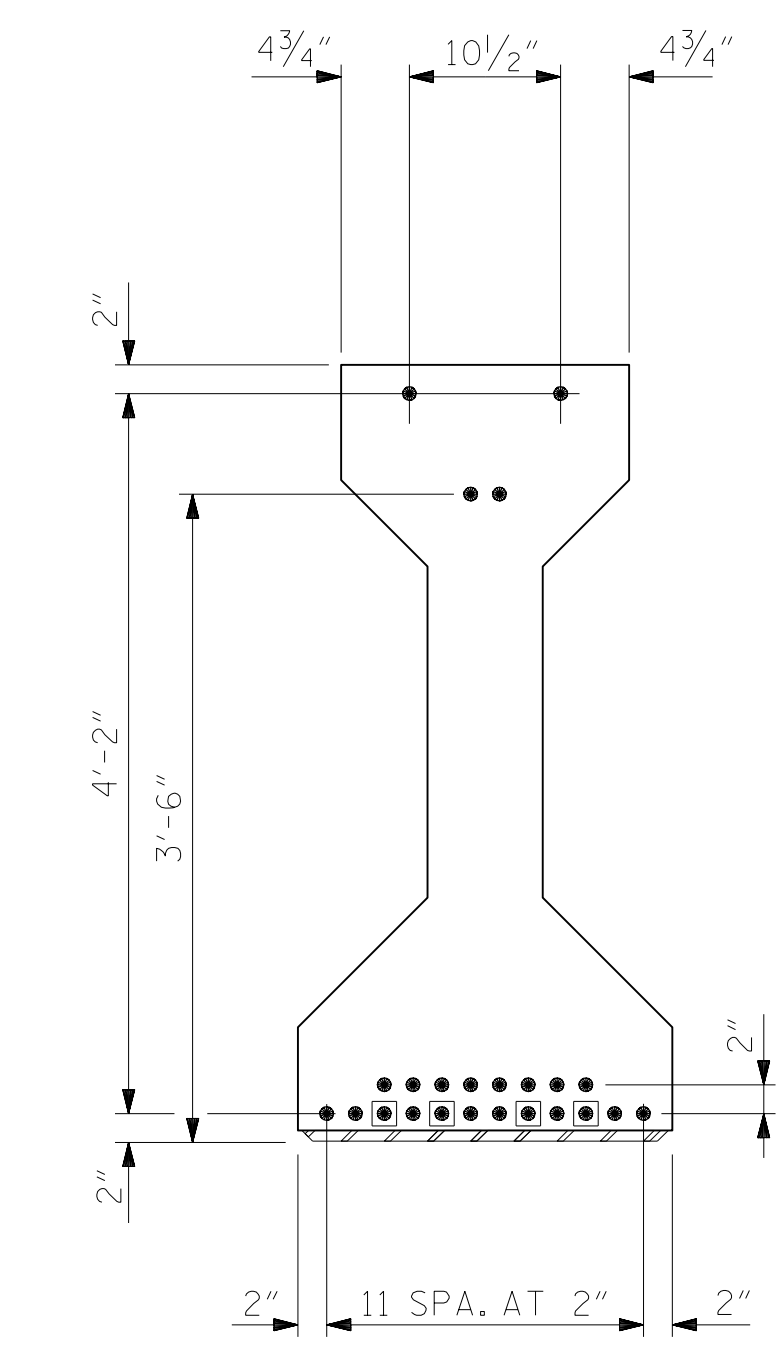


* FOR S7 BARS, SEE
DETAIL A OF
PRESTRESSED
CONCRETE GIRDER
CONTINUOUS FOR LIVE
LOAD DETAILS SHEET



1/2" Ø FORMED HOLE
(SEE FRAMING PLAN
FOR LOCATION)



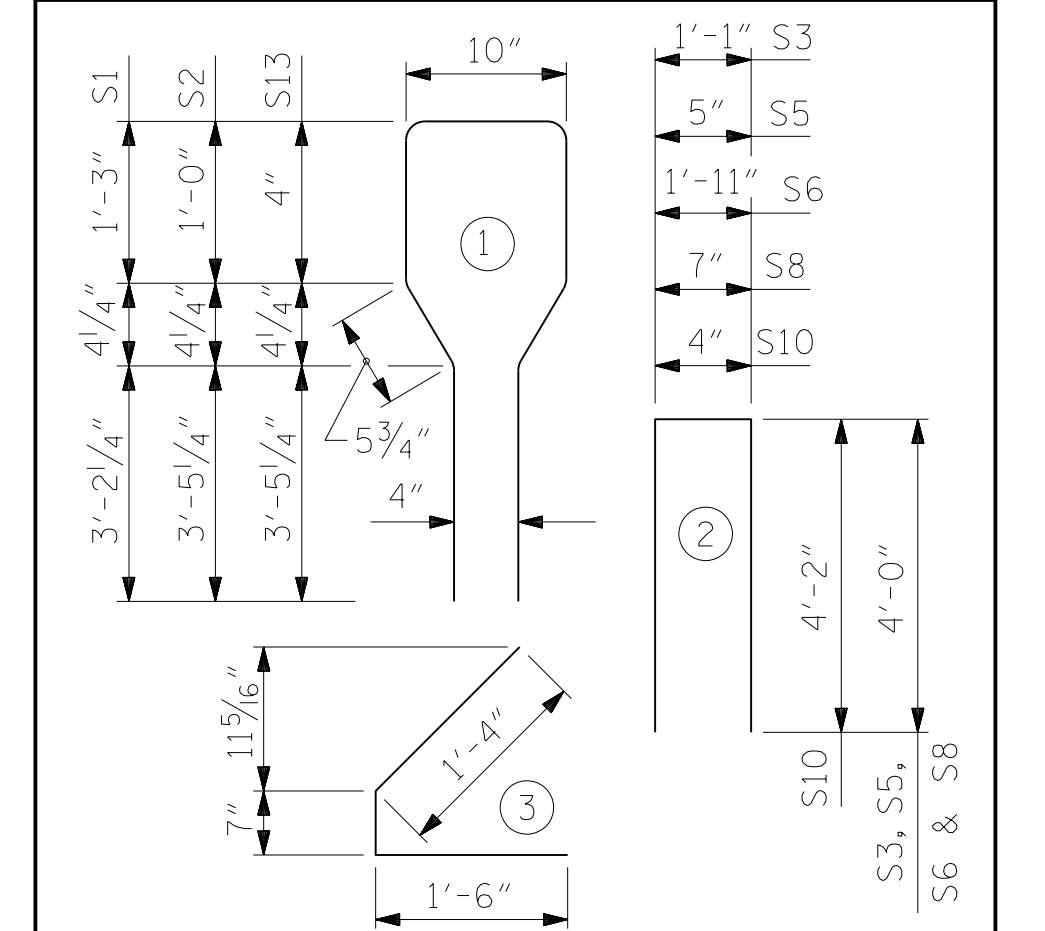
AT END OF GIRDER
AT CL OF GIRDER
0.6" Ø LOW RELAXATION STRAND LAYOUT

0.6" Ø L. R. GRADE 270 STRANDS		
AREA (SQUARE INCHES)	ULTIMATE STRENGTH (LBS. PER STRAND)	APPLIED PRESTRESS (LBS. PER STRAND)
0.217	58,600	43,950

REINFORCING STEEL FOR ONE GIRDER					
BAR	NUMBER	SIZE	TYPE	LENGTH	WEIGHT
S1	64	#4	1	10'-8"	456
S2	6	#6	1	10'-8"	96
S3	4	#4	2	9'-1"	24
S4	68	#4	3	3'-5"	155
S5	6	#4	2	8'-5"	34
S6	1	#4	2	9'-11"	7
* S7	12	#5	STR	3'-8"	46
S8	4	#4	2	8'-7"	23
S9	2	#3	STR	1'-10"	1
S10	2	#5	2	8'-8"	18
S11	5	#4	STR	7'-0"	23
S12	1	#3	STR	1'-4"	1
S13	8	#6	1	10'-0"	120

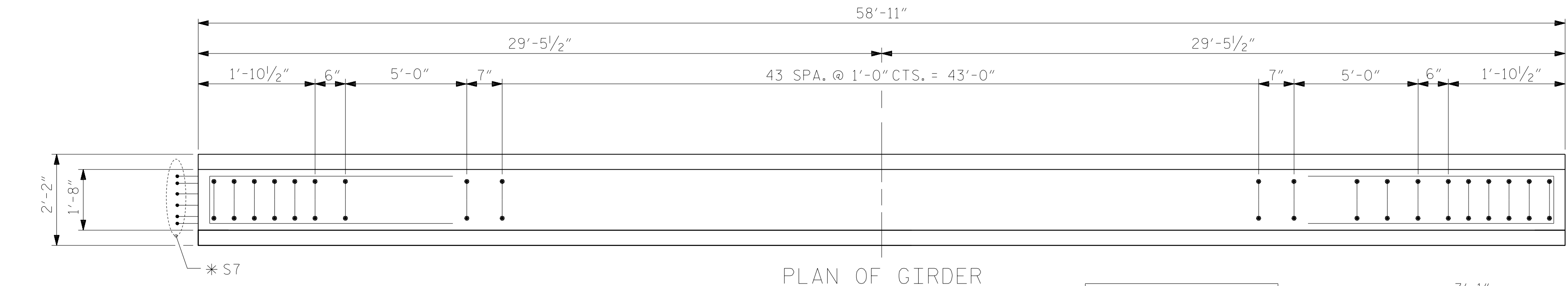
* NOTE: S7 BARS SHALL BE BENT BEFORE SHIPMENT. HEAT BENDING SHALL NOT BE ALLOWED.

BAR TYPES
ALL BAR DIMENSIONS ARE OUT-TO-OUT



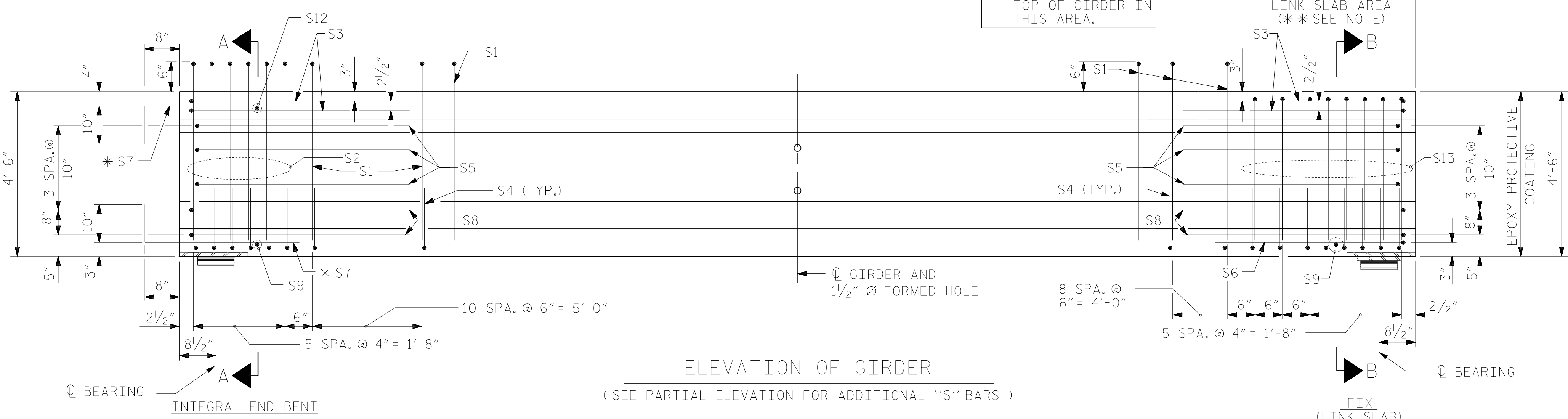
DEBONDING LEGEND

- FULLY BONDED STRANDS.
- ▣ STRANDS DEBONDED FOR 12'-0" FROM END OF GIRDER.

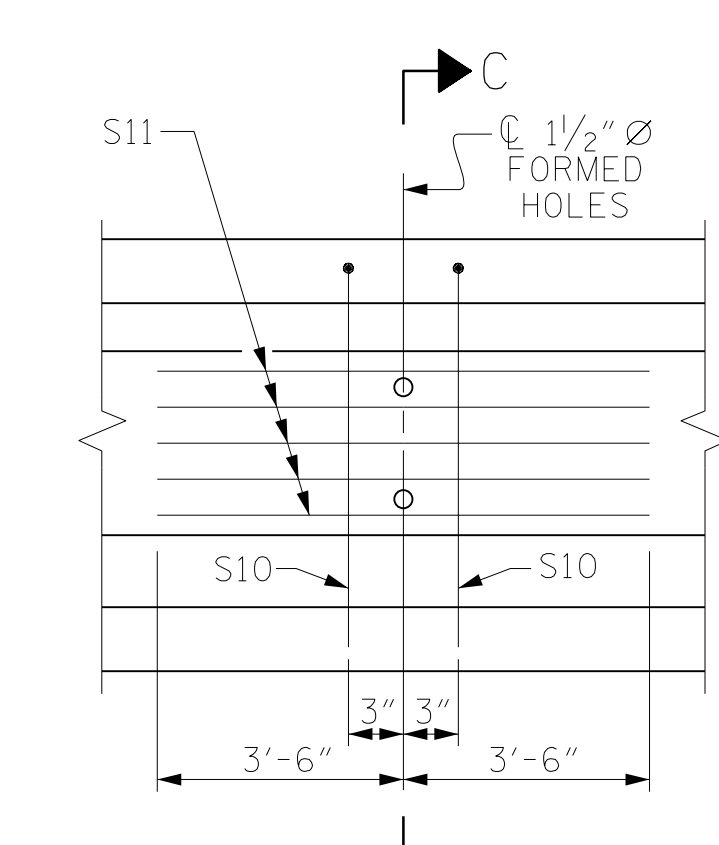


PLAN OF GIRDER

**DO NOT ROUGHEN TOP OF GIRDER IN THIS AREA.



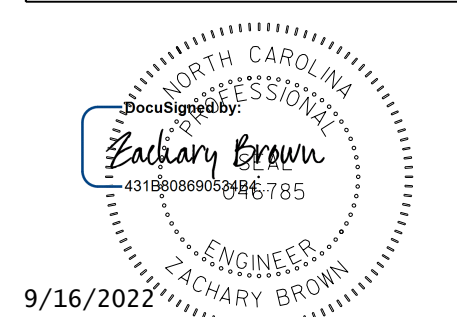
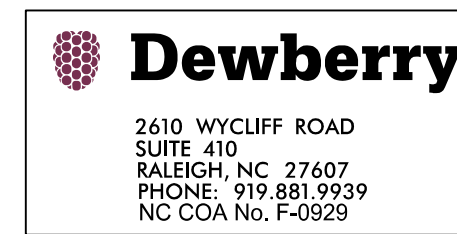
ELEVATION OF GIRDER
(SEE PARTIAL ELEVATION FOR ADDITIONAL "S" BARS)



PARTIAL ELEVATION
SHOWING INTERMEDIATE DIAPHRAGM REINFORCING STEEL FOR ALL GIRDERS

QUANTITIES FOR ONE GIRDER			
	REINFORCING STEEL LB.	8000 PSI CONCRETE C.Y.	0.6" Ø L. R. STRANDS No.
GIRDERS 1-6	884	12.0	24
GIRDERS REQUIRED			
NUMBER	LENGTH	TOTAL LENGTH	
6	58'-11"	353'-6"	

PROJECT NO. B-5318
WAKE COUNTY
STATION: 19+73.00 -L-



STATE OF NORTH CAROLINA
DEPARTMENT OF TRANSPORTATION
RALEIGH
STANDARD
AASHTO TYPE IV
PRESTRESSED CONCRETE GIRDER
CONTINUOUS FOR LIVE LOAD
SPAN A

DRAWN BY: E. JONES DATE: JUNE 21
CHECKED BY: P. O'NEILL DATE: JUNE 21
DESIGN ENGINEER OF RECORD: Z. BROWN DATE: JUNE 21

DOCUMENT NOT CONSIDERED FINAL UNLESS ALL SIGNATURES COMPLETED

REVISIONS						SHEET NO. S-13
NO.	BY:	DATE:	NO.	BY:	DATE:	
1			3			TOTAL SHEETS 41
2			4			