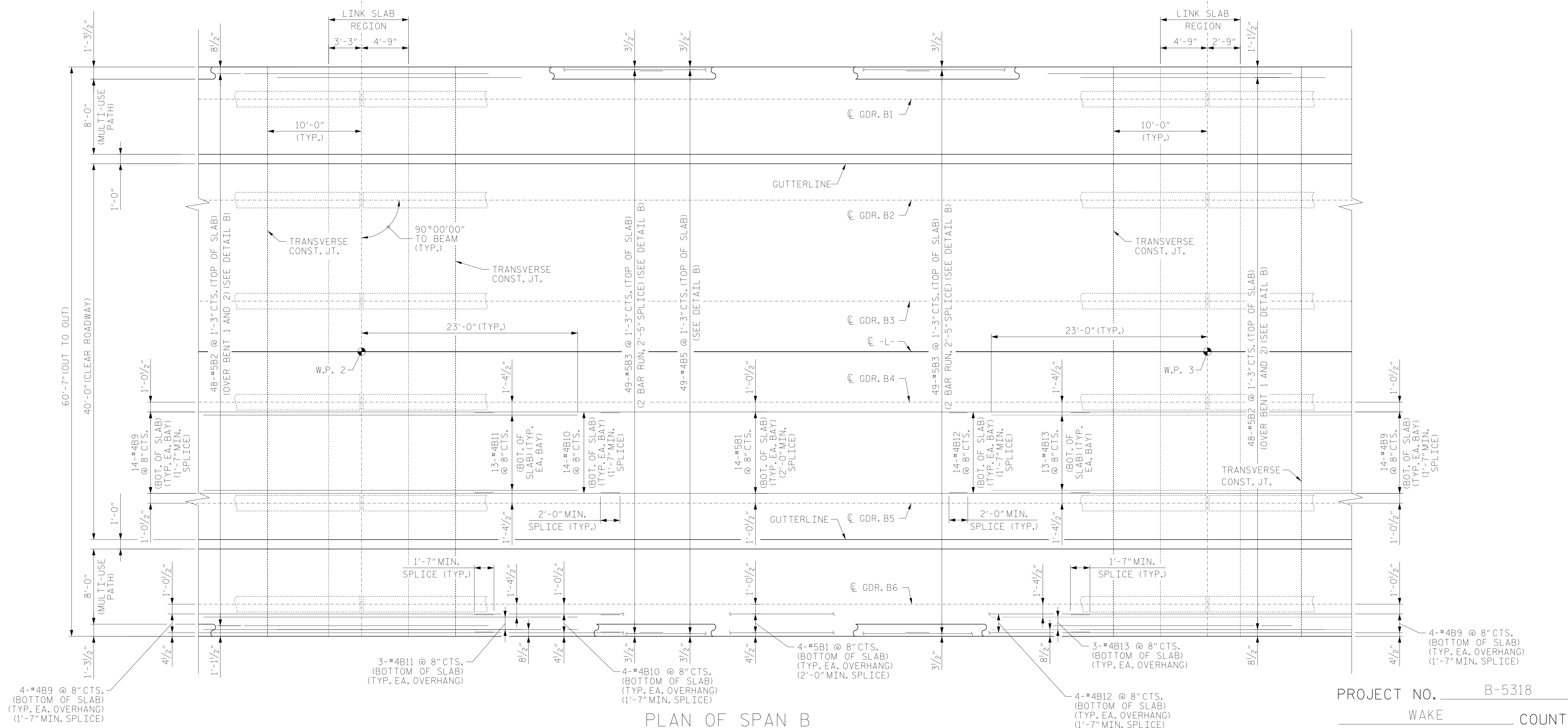


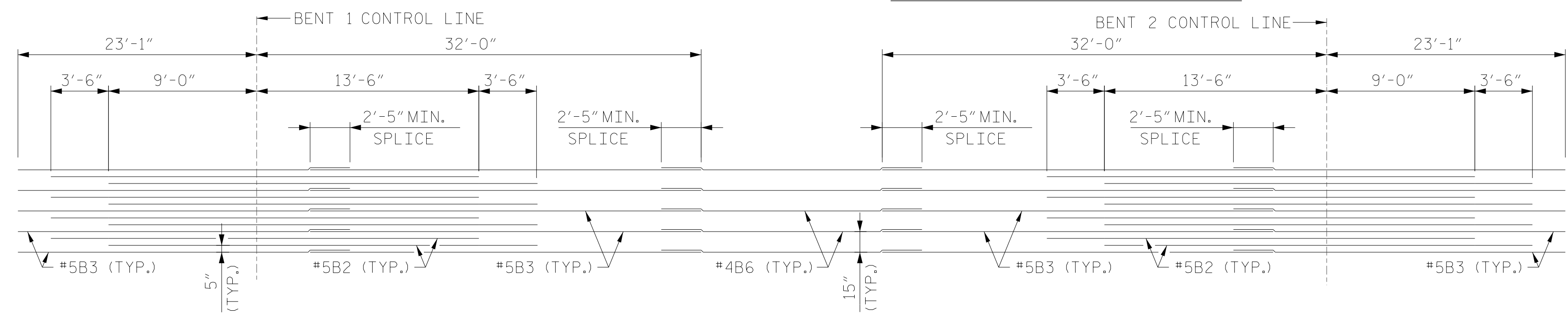
200'-0" (FILL FACE INT. END BENT 1 TO FILL FACE INT. END BENT 2) (W.P. 1 TO W.P. 4)

430 - #5A1 @ 5/2" CTS. (TOP OF SLAB) (2 BAR RUN)
 430 - #5A2 @ 5/2" CTS. (BOTTOM OF SLAB) (2 BAR RUN)

SPAN "B" = 90'-0" (BENT 1 CONTROL LINE TO BENT 2 CONTROL LINE) (W.P. 2 TO W.P. 3)



PLAN OF SPAN B



DETAIL B

PROJECT NO. B-5318

WAKE COUNTY

STATION: 19+73.00 -L-

SHEET 2 OF 3

Dewberry
 2610 WYCLIFF ROAD
 SUITE 410
 RALEIGH, NC 27607
 PHONE: 919.881.9939
 NC COA No. F-0929

Professional Engineer Seal for Zachary Brown, License No. 43888, State of North Carolina.

9/16/2022

STATE OF NORTH CAROLINA
 DEPARTMENT OF TRANSPORTATION
 RALEIGH
 SUPERSTRUCTURE
 PLAN OF SPAN B

DRAWN BY: E. JONES DATE: JUNE 21
 CHECKED BY: P. O'NEILL DATE: JUNE 21
 DESIGN ENGINEER OF RECORD: Z. BROWN DATE: JUNE 21

DOCUMENT NOT CONSIDERED
 FINAL UNLESS ALL
 SIGNATURES COMPLETED

REVISIONS						SHEET NO. S-10
NO.	BY:	DATE:	NO.	BY:	DATE:	
1			3			TOTAL SHEETS 41
2			4			