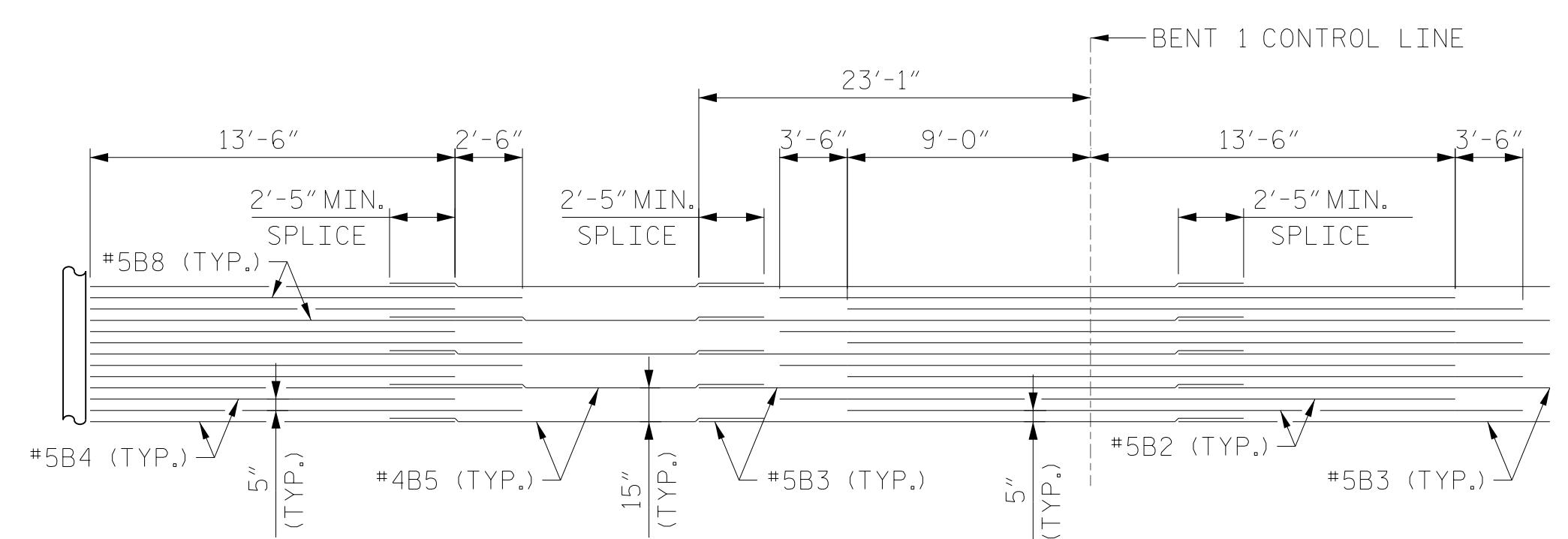


TRANSVERSE CONSTRUCTION JOINT DETAIL

NOTE: REINFORCING STEEL IN SLAB NOT SHOWN. LONGITUDINAL REINFORCING STEEL SHALL BE CONTINUOUS THRU JOINT

PLAN OF SPAN A

PROJECT NO. B-5318  
WAKE COUNTY  
STATION: 19+73.00 -L-  
SHEET 1 OF 3



DETAIL A

**Dewberry**  
2610 WYCLIFF ROAD  
SUITE 410  
RALEIGH, NC 27607  
PHONE: 919.881.9939  
NC COA No. F-0929



9/16/2022

STATE OF NORTH CAROLINA  
DEPARTMENT OF TRANSPORTATION  
RALEIGH  
SUPERSTRUCTURE  
PLAN OF SPAN A

DRAWN BY: E. JONES      DATE: JUNE 21  
CHECKED BY: P. O'NEILL      DATE: JUNE 21  
DESIGN ENGINEER OF RECORD: Z. BROWN      DATE: JUNE 21

DOCUMENT NOT CONSIDERED  
FINAL UNLESS ALL  
SIGNATURES COMPLETED

REVISIONS						SHEET NO.
NO.	BY:	DATE:	NO.	BY:	DATE:	TOTAL SHEETS
1			3			5-9
2			4			41