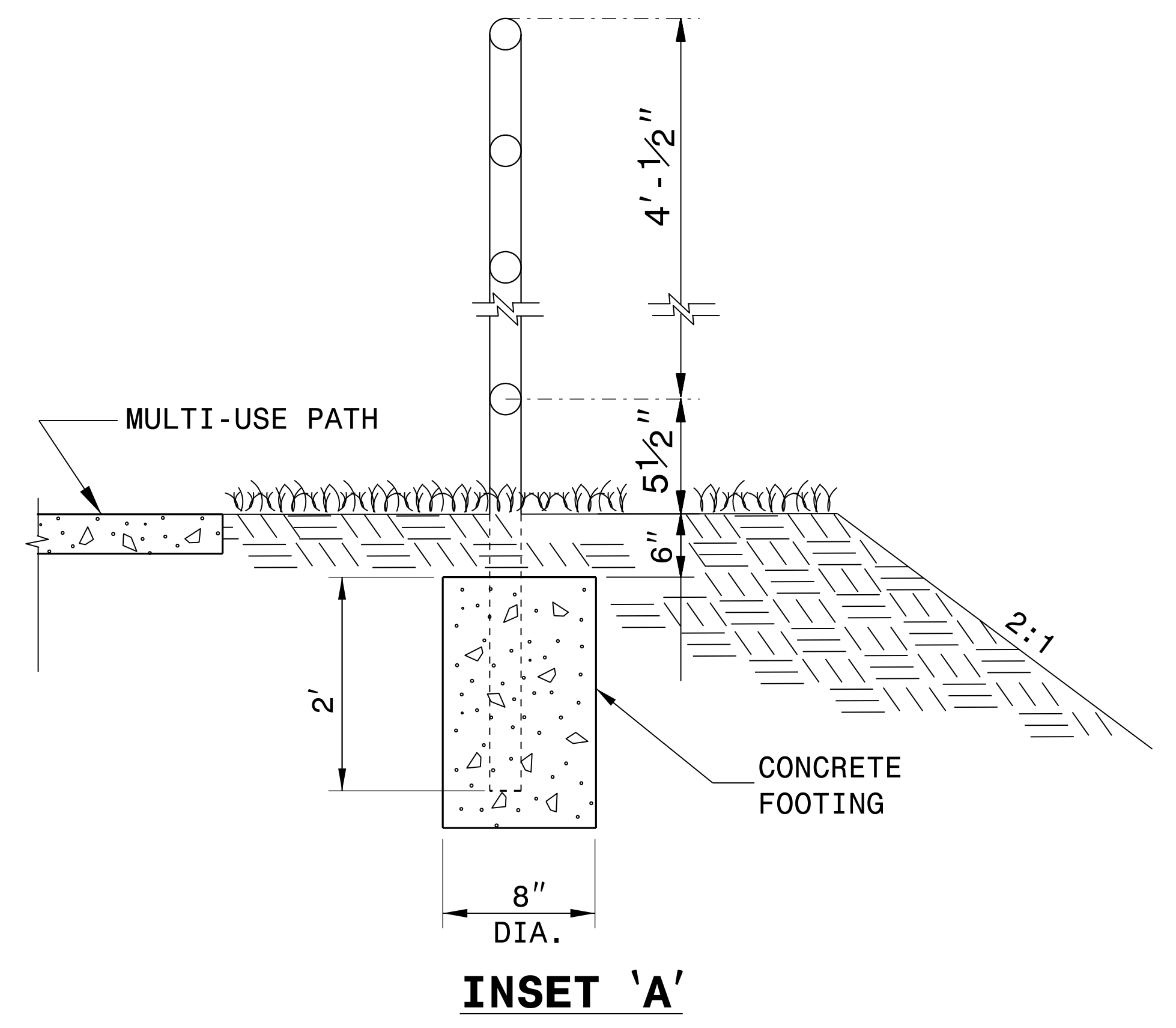


ELEVATION OF HANDRAIL



NOTES:

CONSTRUCT PROPOSED STEEL PIPE RAIL OF 1 1/2" DIAMETER SCHEDULE 40 PLAIN END GALVANIZED STEEL PIPE MEETING THE REQUIREMENTS OF ASTM A53.

REPAIR GALVANIZING IN ACCORDANCE WITH SECTION 1076 OF THE NCDOT STANDARD SPECIFICATIONS.

PAINT, IF REQUIRED BY THE ENGINEER, IN ACCORDANCE WITH SECTION 1080 OF THE STANDARD SPECIFICATIONS.

WELD IN ACCORDANCE WITH ARTICLE 1072-18 OF THE STANDARD SPECIFICATIONS.

USE CLASS 'B' CONCRETE FOR HANDRAIL FOOTINGS.

PLACEMENT OF HANDRAIL IN RELATION TO SHOULDER BREAK POINT AND PATH MAY BE MODIFIED AS DIRECTED BY THE ENGINEER.

25-JAN-2018 07:30 S:\Contracts\Projects\Howerton\Handrail Adjacent to Sidewalk.dgn Jhowerton AT CSD-292595



DOCUMENT NOT CONSIDERED FINAL UNLESS ALL SIGNATURES COMPLETED

CONTRACT STANDARDS AND DEVELOPMENT UNIT	
Office 919-707-6950 FAX 919-250-4119	
PROPOSED BIKE/PED SAFETY RAIL	
ORIGINAL BY: E.E. WARD	DATE: 12-99
MODIFIED BY:	DATE:
CHECKED BY:	DATE:
FILE SPEC.: jhowerton/handrail adjacent to sidewalk.dgn	