

**This electronic collection of documents is provided  
for the convenience of the user  
and is Not a Certified Document –**

**The documents contained herein were originally issued  
and sealed by the individuals whose names and license  
numbers appear on each page, on the dates appearing  
with their signature on that page.**

**This file or an individual page  
shall not be considered a certified document.**

PROJ. REFERENCE NO. B-5670	SHEET NO. PMP-1
APPROVED: _____ DATE: 8/16/2022	
SEAL 	
 <small>Engineers • Planners • Scientists • Construction Managers 4601 Six Forks Road, Landmark Center II, Suite 220 Raleigh, NC 27609-5210 Phone (919) 783-9214 • Fax (919) 783-9286</small>	

STATE OF NORTH CAROLINA  
DIVISION OF HIGHWAYS

**PAVEMENT MARKING PLAN**

**NASH COUNTY**

**LOCATION: BRIDGE NO. 29 OVER TAR RIVER ON US 64 ALT**

**PAVEMENT MARKING SCHEDULE**

<b>SYMBOL</b>	<b>DESCRIPTION</b>	<b>FINAL PAVEMENT MARKINGS</b>
T1	WHITE EDGELINE	THERMOPLASTIC (4", 90 MILS)
T11	YELLOW SINGLE CENTER	THERMOPLASTIC (4", 90 MILS)
T12	10-FOOT YELLOW SKIP	THERMOPLASTIC (4", 90 MILS)
C1	WHITE EDGELINE	COLD APPLIED (4", TYPE 1)
C13	YELLOW DOUBLE CENTER	COLD APPLIED (4", TYPE 1)
MA	YELLOW AND YELLOW	PERMANENT RAISED MARKER

**GENERAL NOTES**

- THE FOLLOWING GENERAL NOTES APPLY AT ALL TIMES FOR THE DURATION OF THE CONSTRUCTION PROJECT, EXCEPT WHEN OTHERWISE NOTED IN THE PLAN, OR DIRECTED BY THE ENGINEER.
- A) INSTALL PAVEMENT MARKINGS AND PAVEMENT MARKERS ON THE FINAL SURFACE AS FOLLOWS:
 

ROAD NAME	MARKING	MARKER
-L- US 64 ALT	THERMOPLASTIC	RAISED
-BRIDGE-	COLD APPLIED (TYPE 1)	RAISED
  - B) TIE PROPOSED PAVEMENT MARKING LINES TO EXISTING PAVEMENT MARKING LINES.
  - C) REMOVE/REPLACE ANY CONFLICTING/DAMAGED PAVEMENT MARKINGS AND MARKERS.
  - D) PASSING ZONES WILL BE DETERMINED IN THE FIELD AND MUST BE APPROVED BY THE ENGINEER.
  - E) REMOVE ALL RESIDUE AND SURFACE LAITANCE BY ACCEPTABLE METHODS ON CONCRETE BRIDGE DECKS PRIOR TO PLACING COLD APPLIED PAVEMENT MARKING MATERIAL.
  - F) UNLESS OTHERWISE SPECIFIED, HEATED-IN-PLACE THERMOPLASTIC MAY BE USED IN LIEU OF COLD APPLIED PLASTIC FOR STOP BARS, SYMBOLS, CHARACTERS AND DIAGONALS ON ASPHALT OR CONCRETE ROADWAYS. IF HEATED-IN-PLACE IS USED, IT SHALL BE PAID FOR USING THE COLD APPLIED PAY ITEM.
  - G) TYPE III COLD APPLIED PLASTIC MAY BE USED IN LIEU OF TYPE II COLD APPLIED PLASTIC. IF TYPE III COLD APPLIED PLASTIC IS USED, IT SHALL BE PAID FOR USING THE TYPE II COLD APPLIED PLASTIC PAY ITEM.

**ROADWAY STANDARD DRAWING**

THE FOLLOWING ROADWAY STANDARDS AS APPEAR IN "ROADWAY STANDARD DRAWINGS" - PROJECT SERVICES UNIT - N.C. DEPARTMENT OF TRANSPORTATION - RALEIGH, N.C., DATED JANUARY 2018 ARE APPLICABLE TO THIS PROJECT AND BY REFERENCE HEREBY ARE CONSIDERED A PART OF THESE PLANS:

<b>STD. NO.</b>	<b>TITLE</b>
1205.01	PAVEMENT MARKINGS - LINE TYPES AND OFFSETS
1205.02	PAVEMENT MARKINGS - TWO-LANE AND MULTILANE ROADWAYS
1205.12	PAVEMENT MARKINGS - BRIDGES
1250.01	RAISED PAVEMENT MARKERS - INSTALLATION SPACING
1251.01	RAISED PAVEMENT MARKERS - PERMANENT AND TEMPORARY
1261.01	GUARDRAIL AND BARRIER DELINEATORS - INSTALLATION SPACING
1261.02	GUARDRAIL AND BARRIER DELINEATORS - TYPES AND MOUNTING
1262.01	GUARDRAIL END DELINEATION

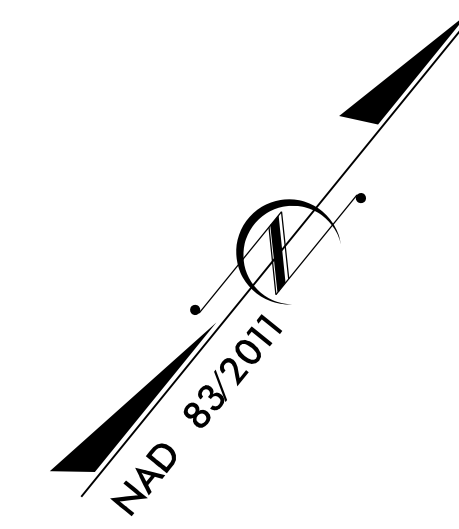
**SUMMARY OF QUANTITIES**

ITEM NO.	ITEM DESCRIPTION	QUANTITY	UNIT
DESC. NO.	SECT. NO.		
4685000000-E	1205	2312	LF
4770000000-E	1205	1300	LF
4900000000-N	1251	15	EA

**INDEX**

<b>SHEET NO.</b>	<b>DESCRIPTION</b>
PMP-1	PAVEMENT MARKING PLAN TITLE AND SCHEDULE SHEET
PMP-2	PAVEMENT MARKING DETAIL

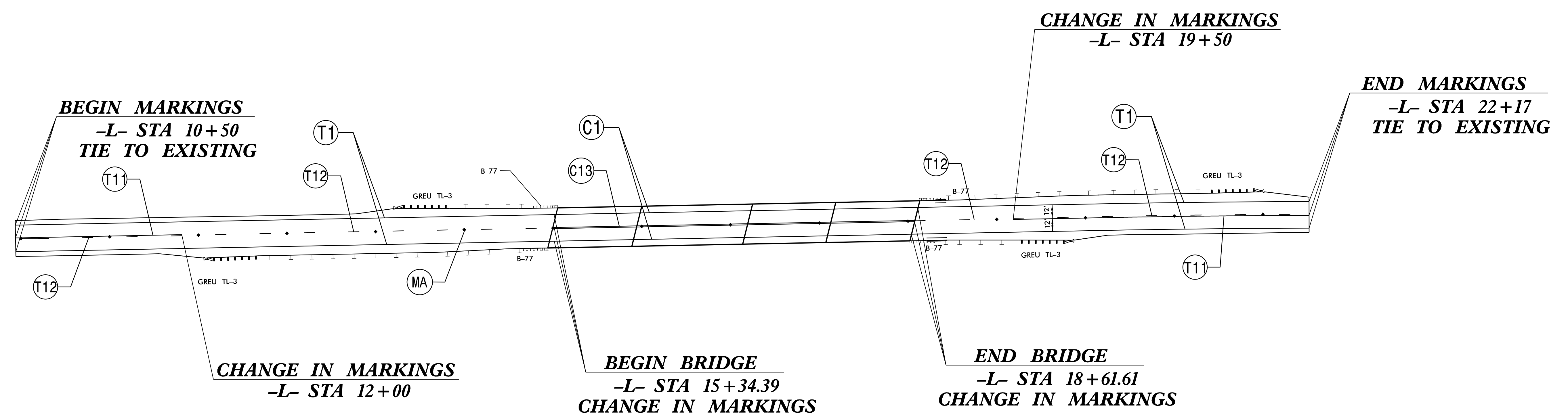
30-JUN-2022 09:17  
 I:\2018\20180145\_23 B-5670\Traffic\TrafficControl\TCP\B5670\_PMP\_01.dgn  
 \$\$\$\$USER\$



10

15

20



**PAVEMENT MARKING LEGEND**

- (T1) WHITE EDGELINE (4", 90 MILS)
- (T11) YELLOW SINGLE CENTER (4", 90 MILS)
- (T12) 10-FOOT YELLOW SKIP (4", 90 MILS)
- (C1) WHITE EDGELINE, COLD APPLIED (4", TYPE 1)
- (C13) YELLOW DOUBLE CENTER, COLD APPLIED (4", TYPE 1)
- (MA) PERMANENT RAISED MARKER, YELLOW AND YELLOW

**PAVEMENT MARKING DETAIL**

I6-AUG-2022 08:55  
 N:\2016\201601945\_23 B-5670\TrafficControl\TCP\B5670\_PMP\_02.dgn  
 \$\$\$\$SERIALNAME\$\$\$\$