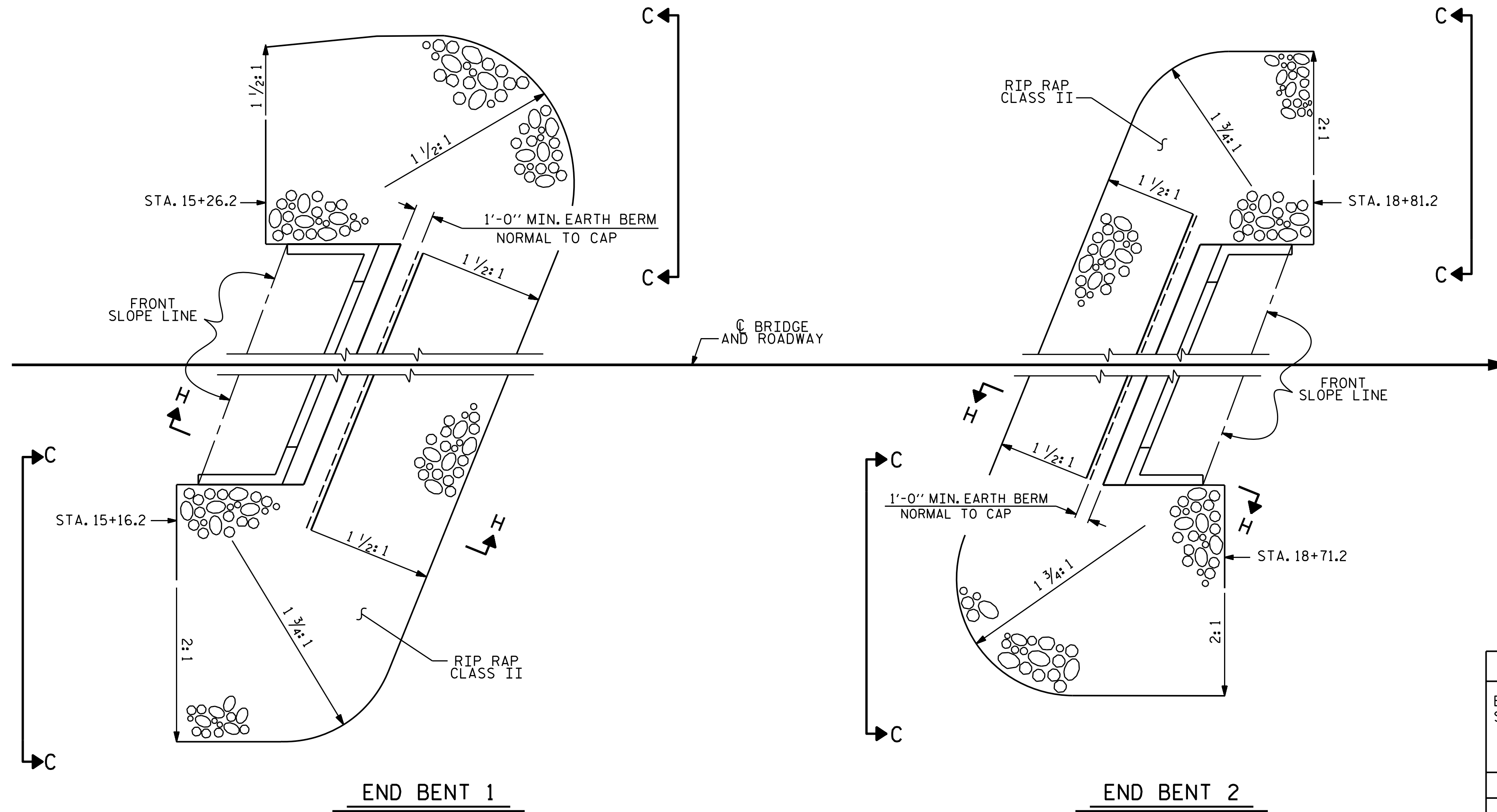
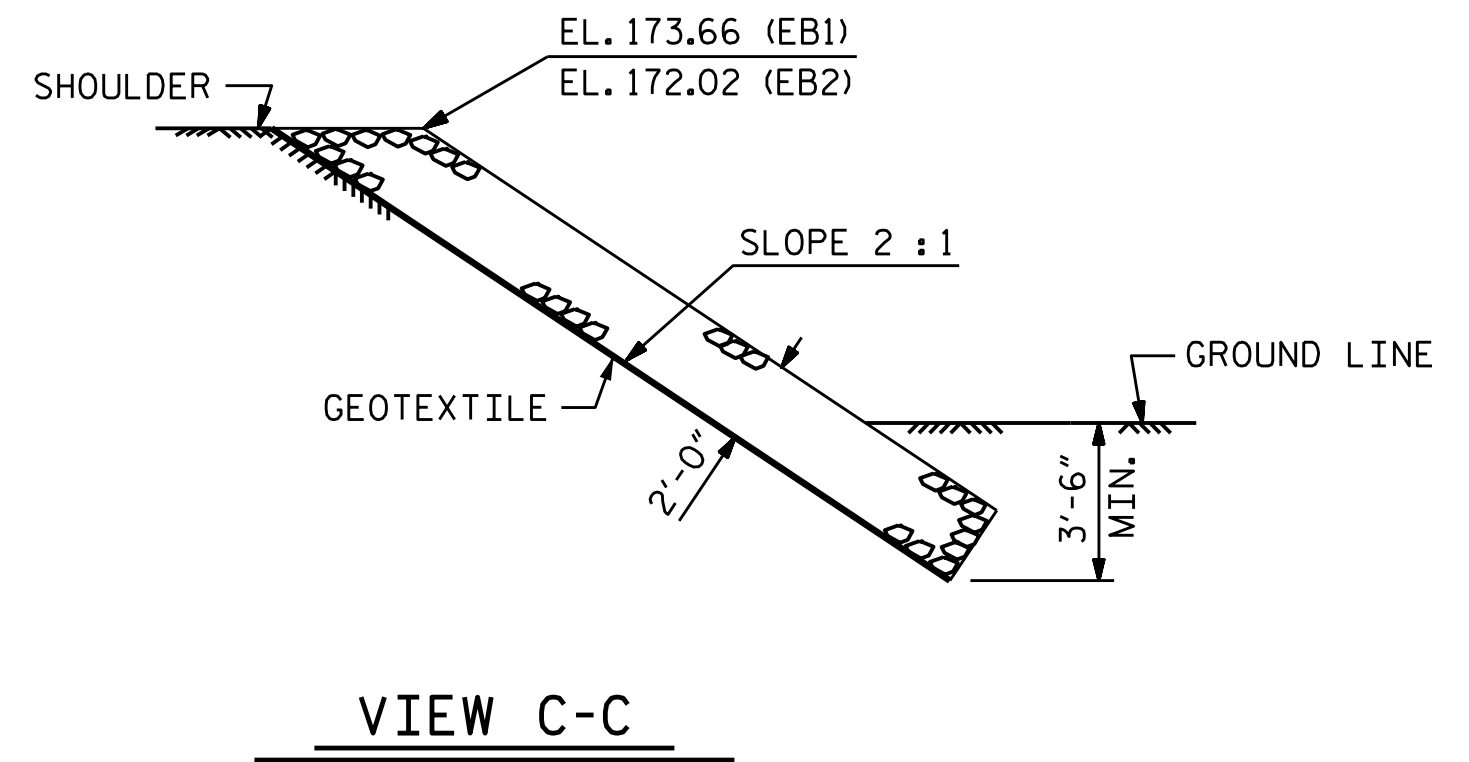
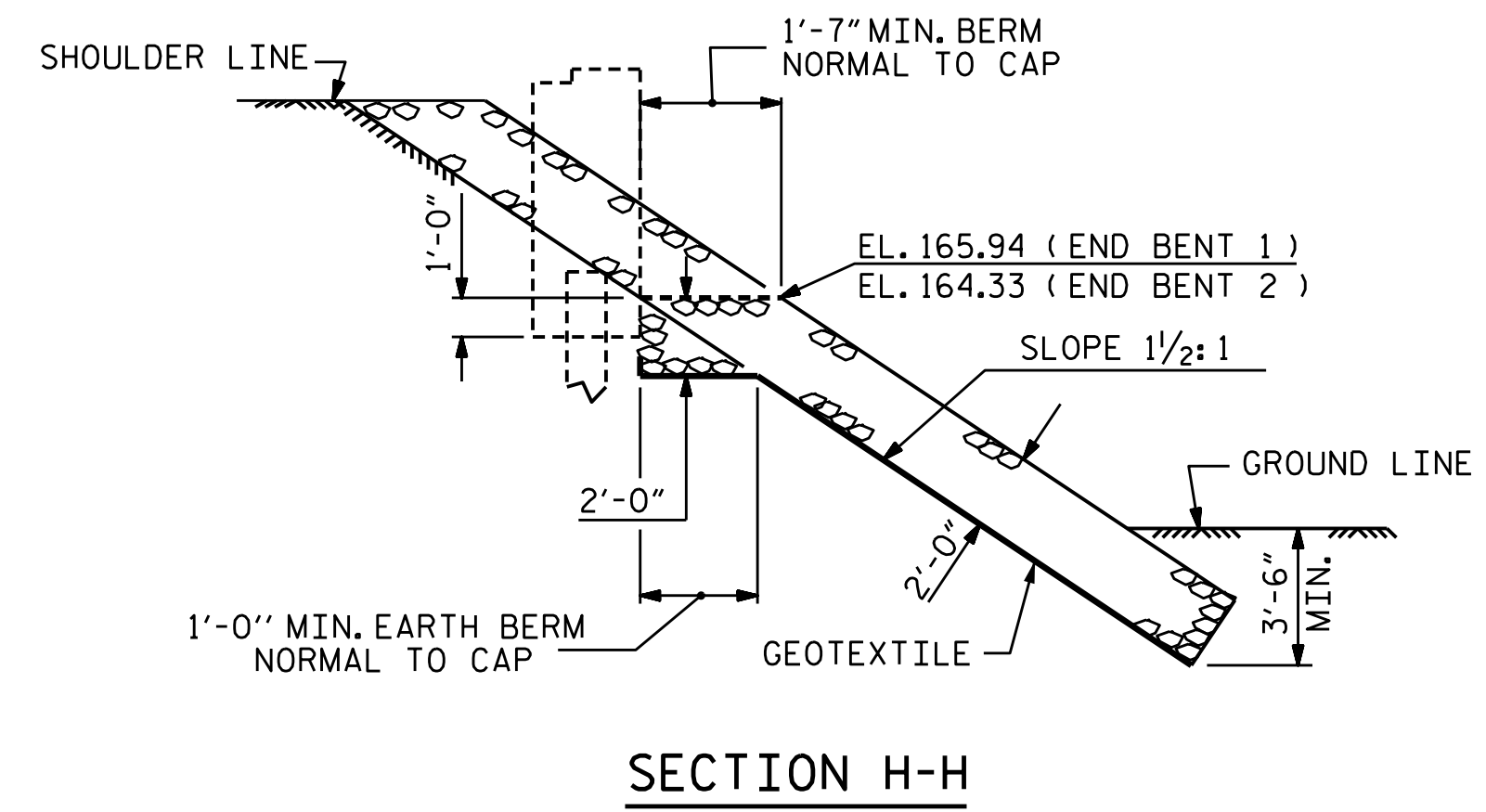


NOTES :  
FOR BERM WIDTH DIMENSIONS, SEE GENERAL DRAWING.



ESTIMATED QUANTITIES		
BRIDGE @ STA. 16+98.00 -L-	RIP RAP CLASS II (2'-0" THICK)	GEOTEXTILE FOR DRAINAGE
	TONS	SQUARE YARDS
END BENT 1	475	528
END BENT 2	374	415



PROJECT NO. B-5670  
NASH COUNTY  
 STATION: 16+98.00 -L-



STATE OF NORTH CAROLINA  
 DEPARTMENT OF TRANSPORTATION  
 RALEIGH  
 STANDARD  
 RIP RAP DETAILS

ASSEMBLED BY : G. AYES DATE : 1/2022  
 CHECKED BY : M. M. AHMED/S. WANCE DATE : 6/2022  
 DRAWN BY : REK 1/84 REV. 10/17/11 MAA/GM  
 CHECKED BY : RDU 1/84 REV. 12/21/11 MAA/GM  
 REV. 12/17 MAA/THC

NO.	BY:	DATE:	REVISIONS			SHEET NO.
			NO.	BY:	DATE:	
1			3			S-38
2			4			TOTAL SHEETS 40

DOCUMENT NOT CONSIDERED FINAL UNLESS ALL SIGNATURES COMPLETED