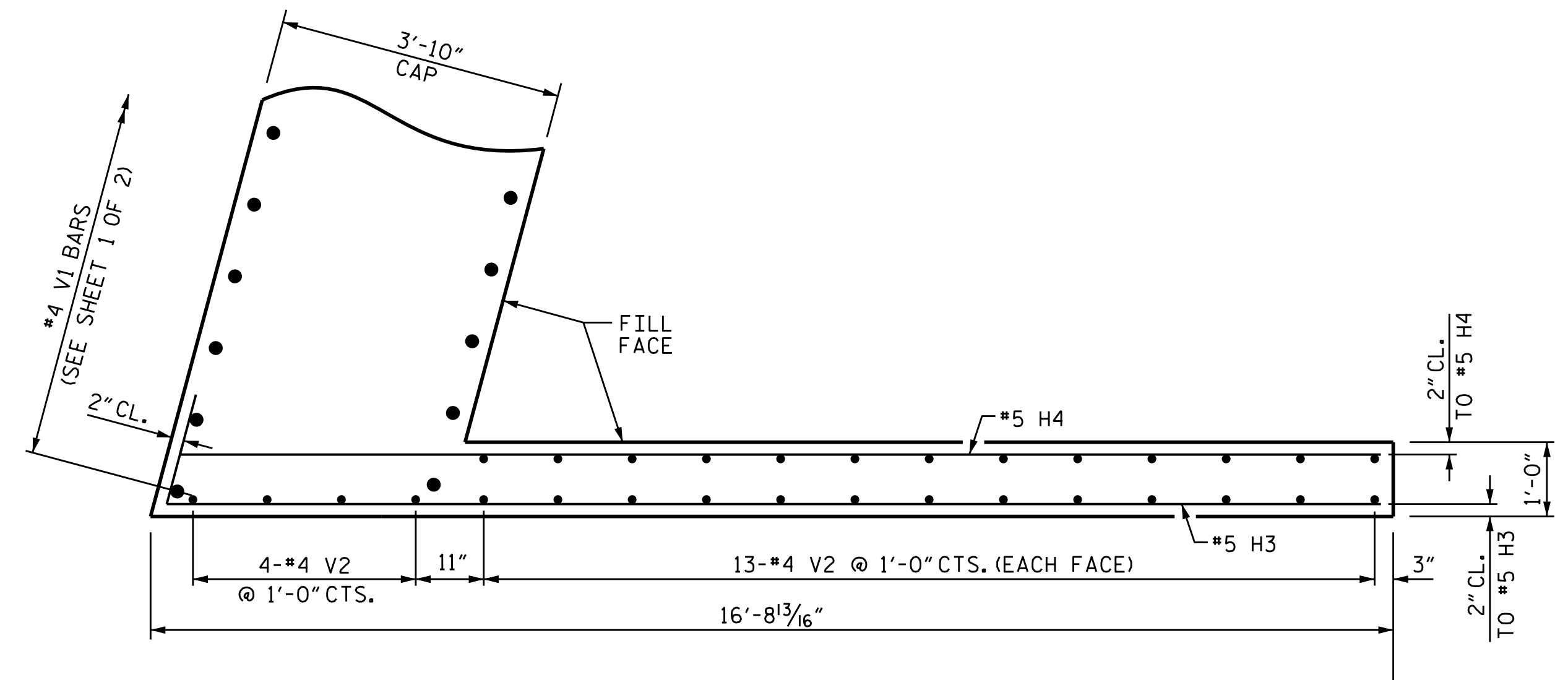
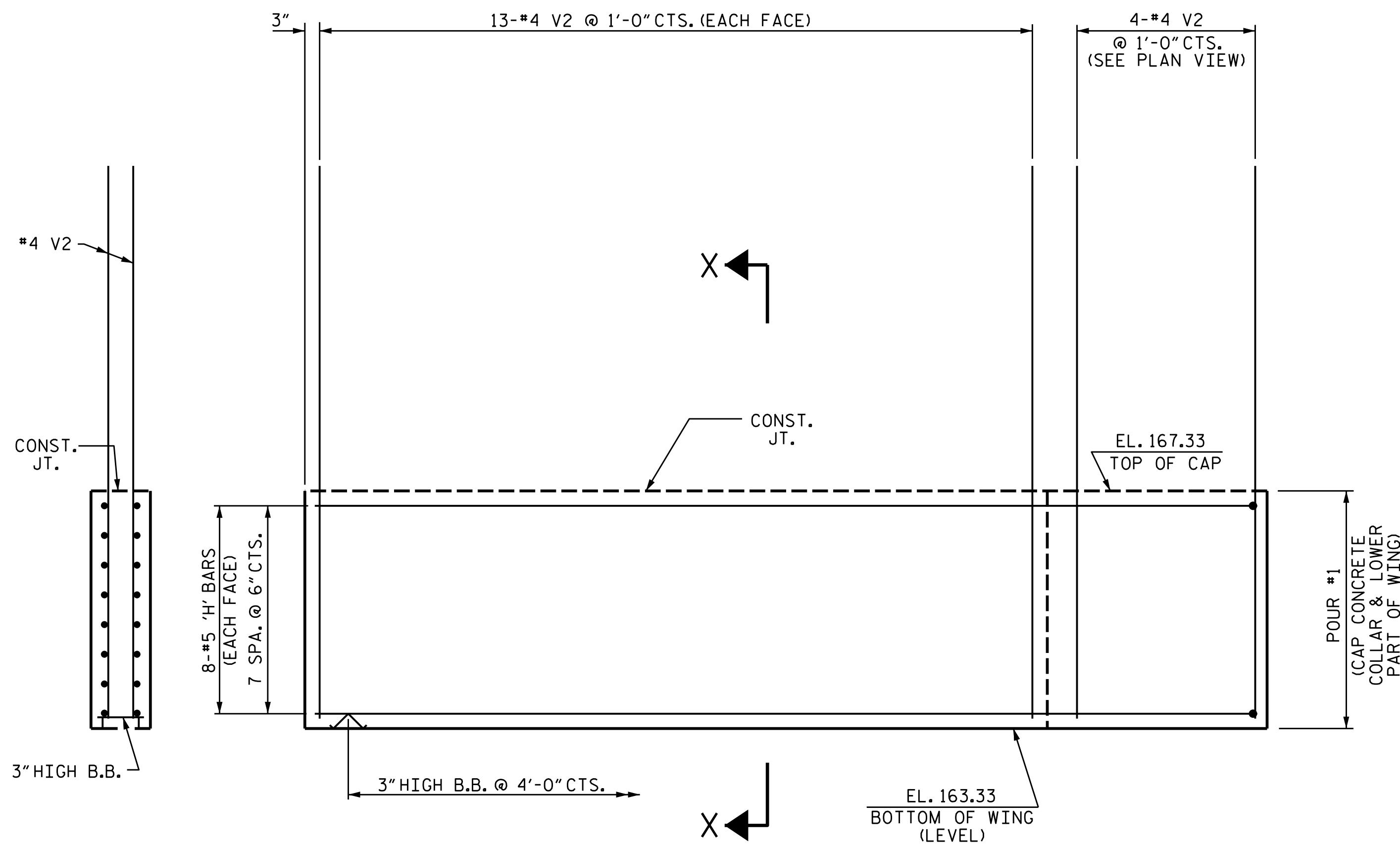


PLAN OF WING W1

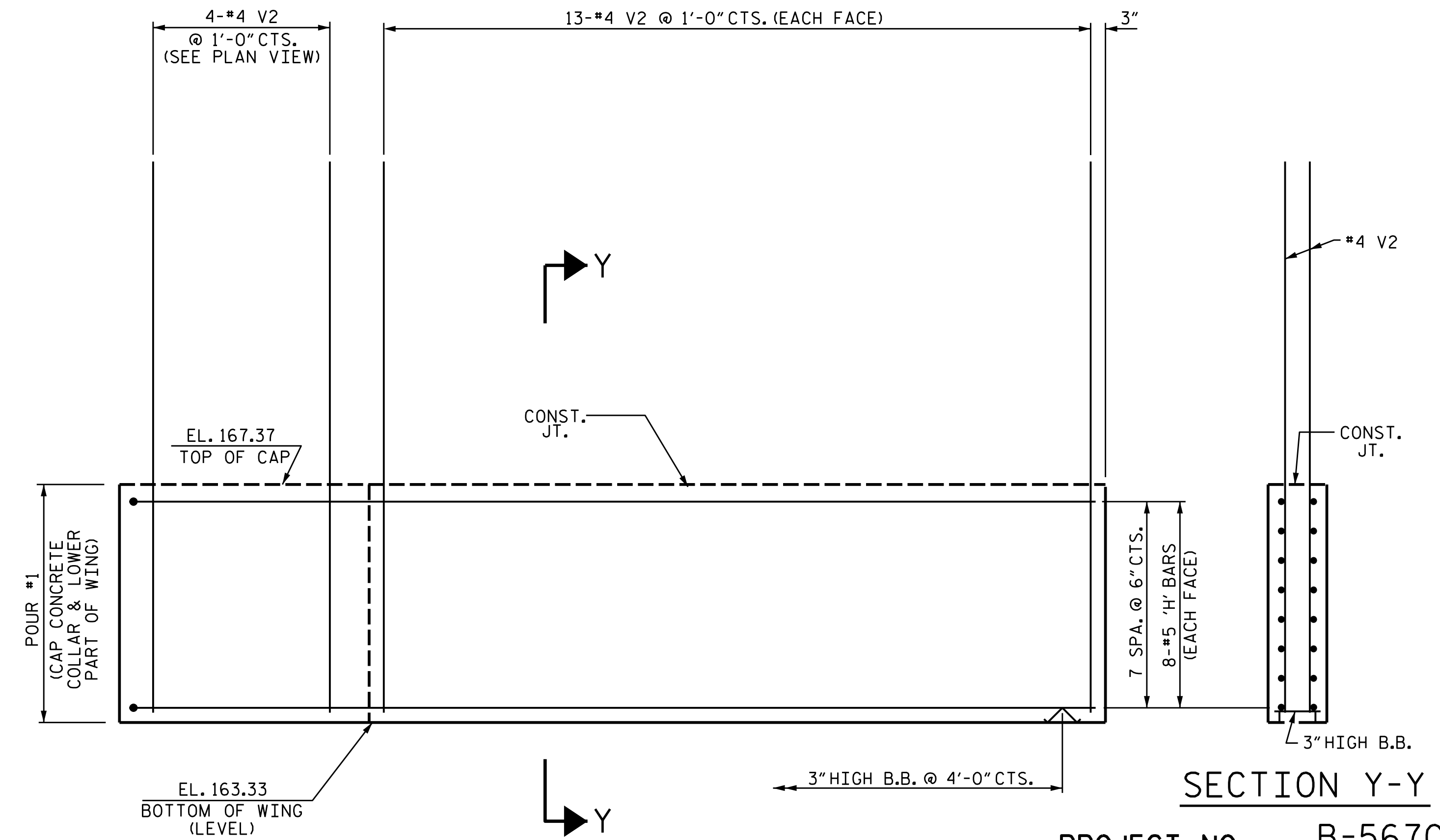


PLAN OF WING W2



SECTION X-X

ELEVATION OF WING W1

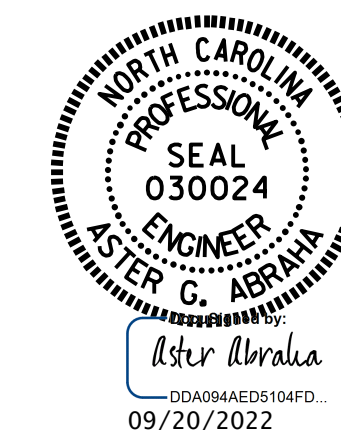


ELEVATION OF WING W2

SECTION Y-Y

PROJECT NO. B-5670
NASH COUNTY
 STATION: 16+98.00 -L-

SHEET 2 OF 3



STATE OF NORTH CAROLINA
 DEPARTMENT OF TRANSPORTATION
 RALEIGH

SUBSTRUCTURE
 INTEGRAL
 END BENT 2

DRAWN BY : M.M. AHMED DATE : 06/22
 CHECKED BY : S. WANCE DATE : 06/22
 DESIGN ENGINEER OF RECORD: M.M. AHMED DATE : -

DOCUMENT NOT CONSIDERED
 FINAL UNLESS ALL
 SIGNATURES COMPLETED

REVISIONS						SHEET NO.
NO.	BY:	DATE:	NO.	BY:	DATE:	
1			3			S-36
2			4			TOTAL SHEETS 40