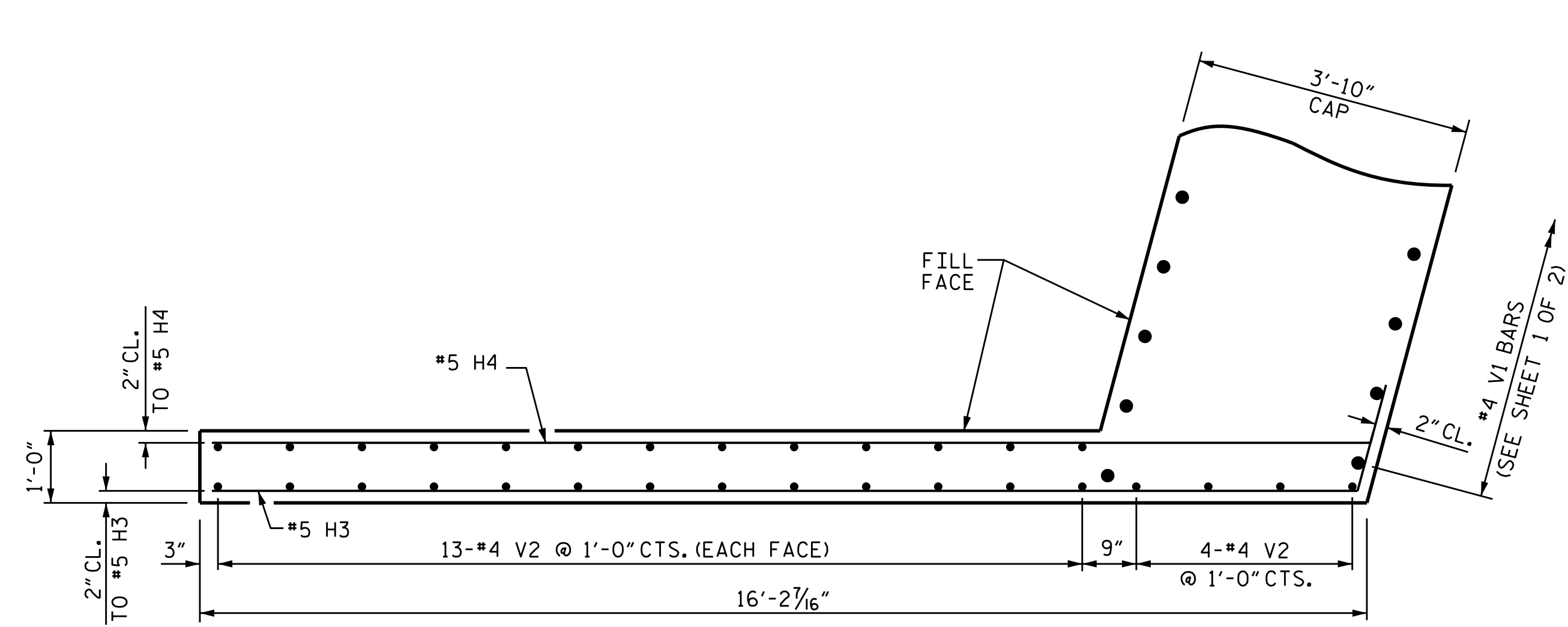
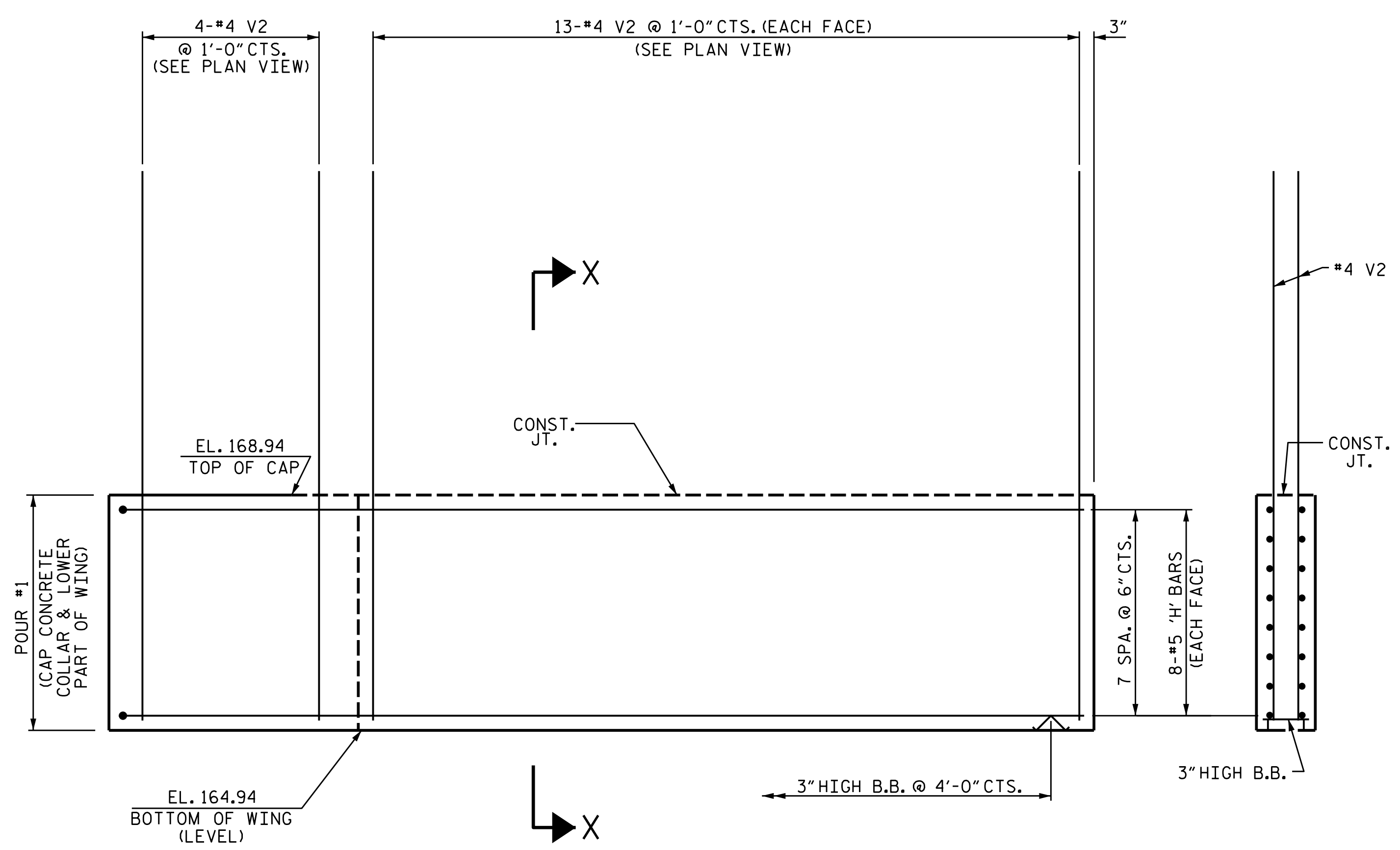


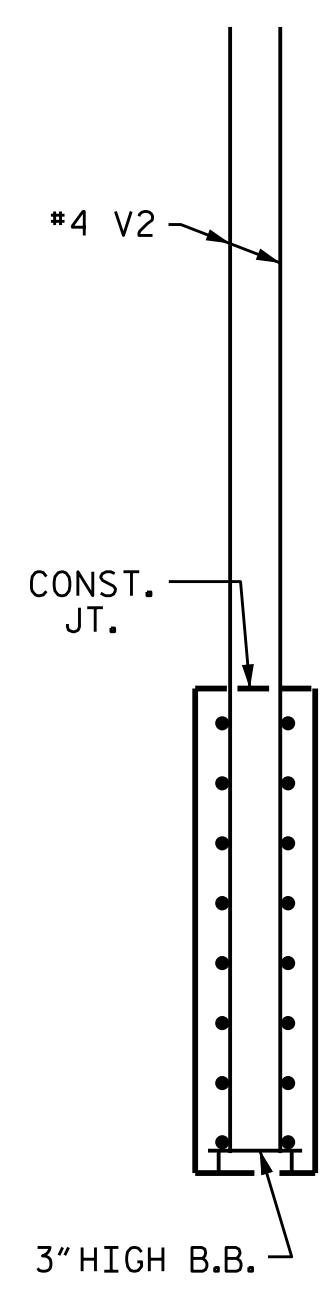
PLAN OF WING W1



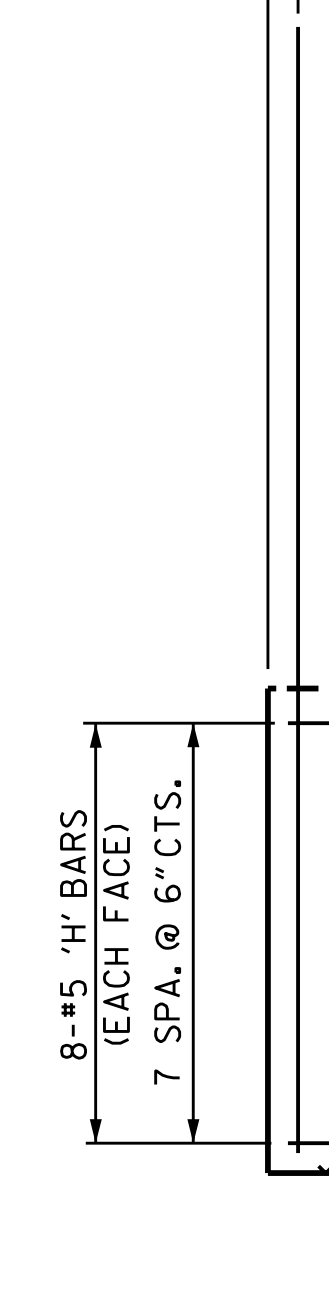
PLAN OF WING W2



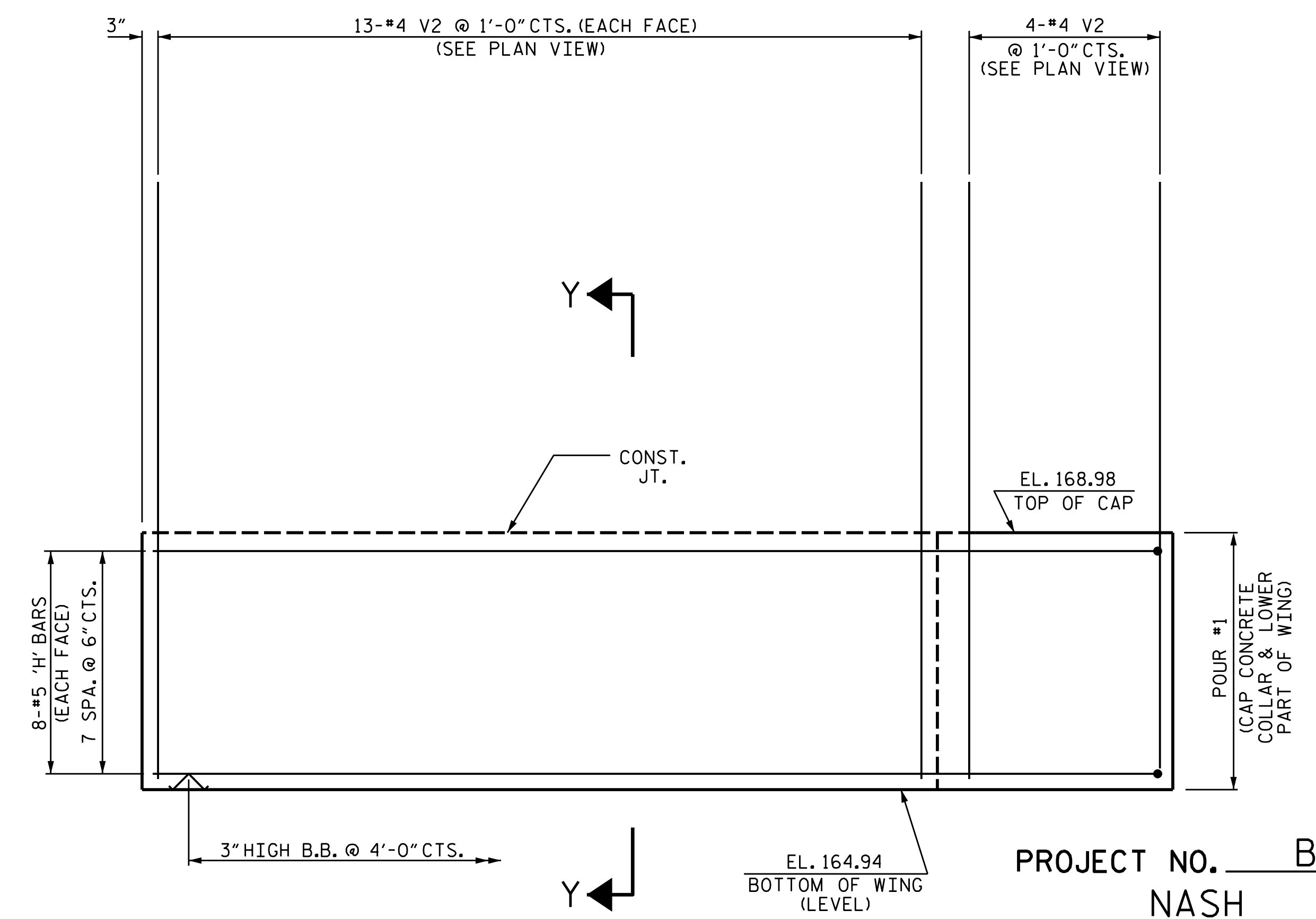
ELEVATION OF WING W1



SECTION X-X



SECTION Y-Y



ELEVATION OF WING W2

PROJECT NO. B-5670
 NASH COUNTY
 STATION: 16+98.00 -L-

SHEET 2 OF 3



STATE OF NORTH CAROLINA
 DEPARTMENT OF TRANSPORTATION
 RALEIGH
 SUBSTRUCTURE
 INTEGRAL
 END BENT 1

DRAWN BY : M.M. AHMED DATE : 05/22
 CHECKED BY : S. WANCE DATE : 06/22
 DESIGN ENGINEER OF RECORD: M.M. AHMED DATE : 07/2020

DOCUMENT NOT CONSIDERED
 FINAL UNLESS ALL
 SIGNATURES COMPLETED

REVISIONS						SHEET NO.
NO.	BY:	DATE:	NO.	BY:	DATE:	S-27
1			3			TOTAL SHEETS 40
2			4			