

NOTES

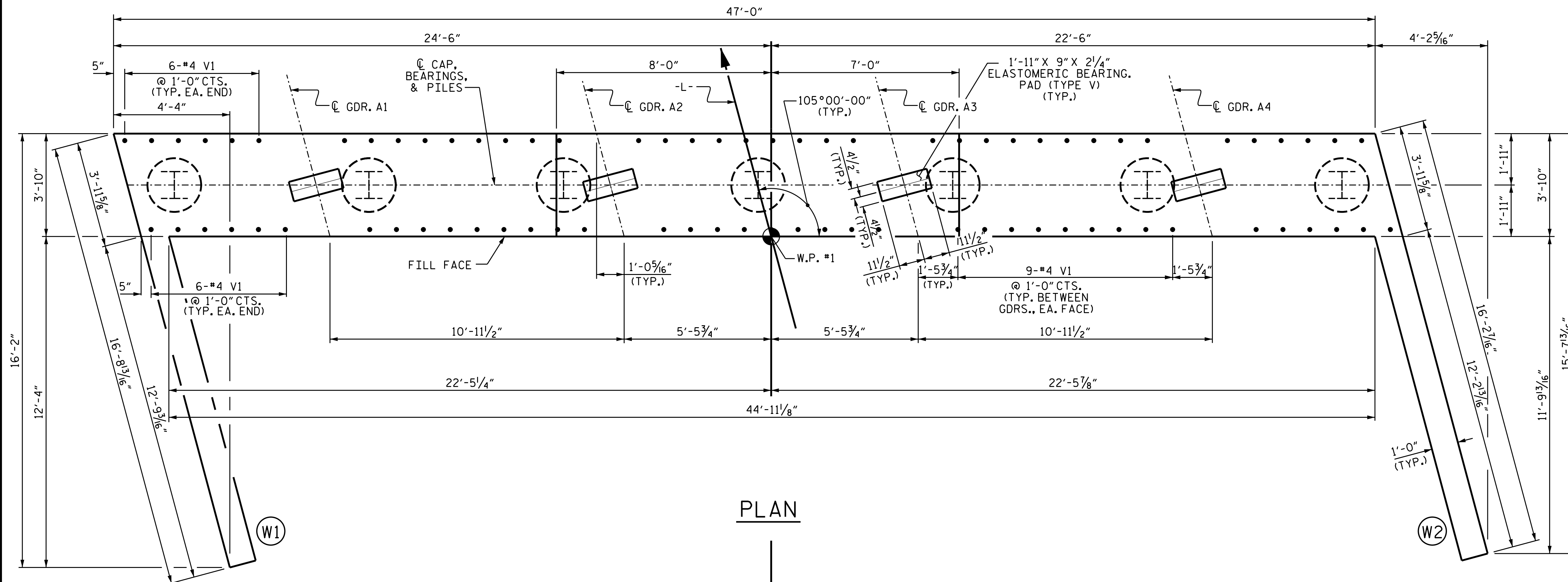
STIRRUPS IN CAP MAY BE SHIFTED AS NECESSARY TO CLEAR #4 V1 BARS.

SEE THE SUPERSTRUCTURE SHEETS FOR UPPER PART OF INTEGRAL END BENT DETAIL.

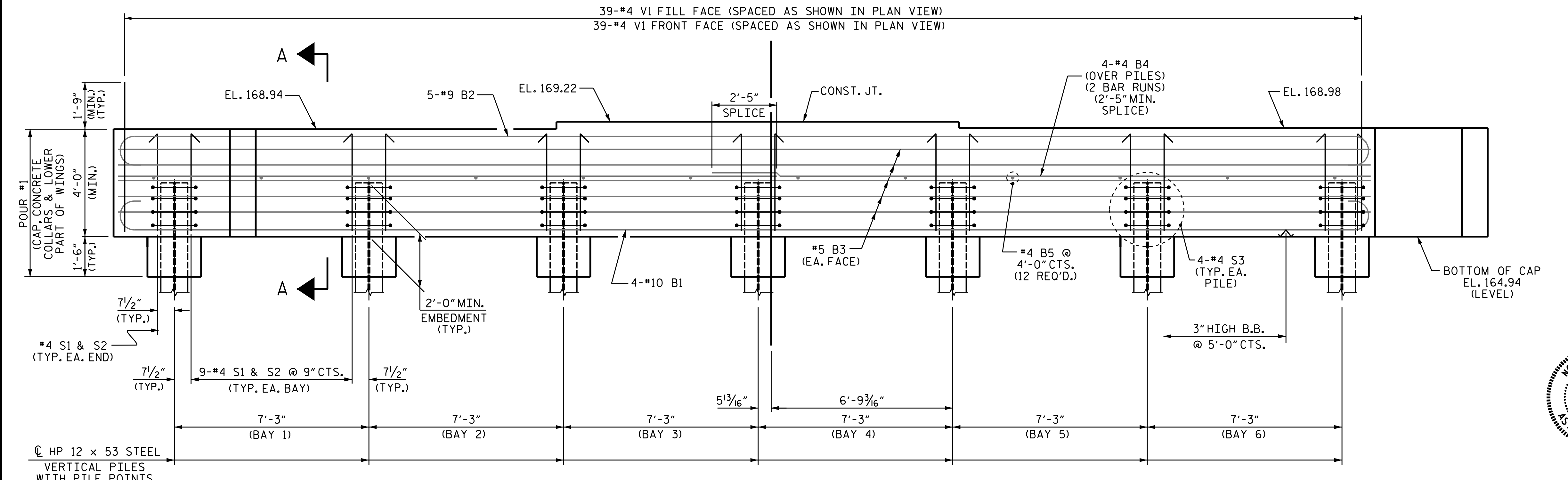
THE UPPER PART OF INTEGRAL PORTION AND WINGS SHALL BE POURED WITH THE SUPERSTRUCTURE. SEE SUPERSTRUCTURE PLAN OF SPANS.

THE TOP SURFACE OF POUR #1 OF THE END BENT CAP AND WINGS, EXCLUDING THE BEARING AREA, SHALL BE RAKED TO A DEPTH OF 1/4".

STEEL H-PILE POINTS ARE REQUIRED FOR STEEL H-PILES AT END BENTS 1 & 2, SEE SECTION 450 OF THE STANDARD SPECIFICATION.



PLAN



ELEVATION

PROJECT NO. B-5670
NASH COUNTY
 STATION: 16+98.00 -L-

SHEET 1 OF 3



STATE OF NORTH CAROLINA
 DEPARTMENT OF TRANSPORTATION
 RALEIGH
 SUBSTRUCTURE
 INTEGRAL
 END BENT 1

DRAWN BY: M.M. AHMED DATE: 06/22
 CHECKED BY: S. WANCE DATE: 06/22
 DESIGN ENGINEER OF RECORD: M.M. AHMED DATE: 07/2020

REVISIONS						SHEET NO.
NO.	BY:	DATE:	NO.	BY:	DATE:	
1			3			S-26
2			4			TOTAL SHEETS 40

DOCUMENT NOT CONSIDERED FINAL UNLESS ALL SIGNATURES COMPLETED