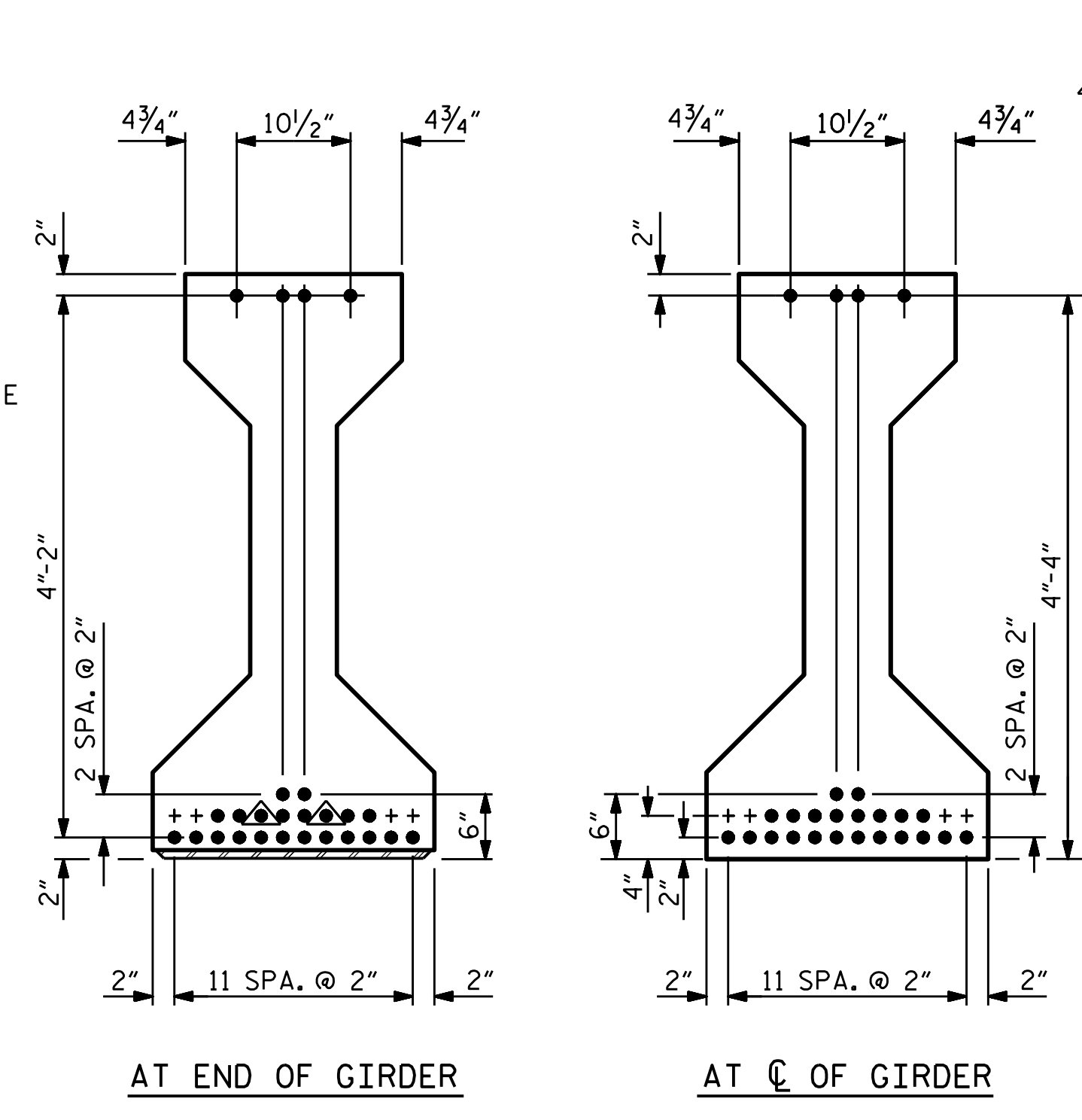
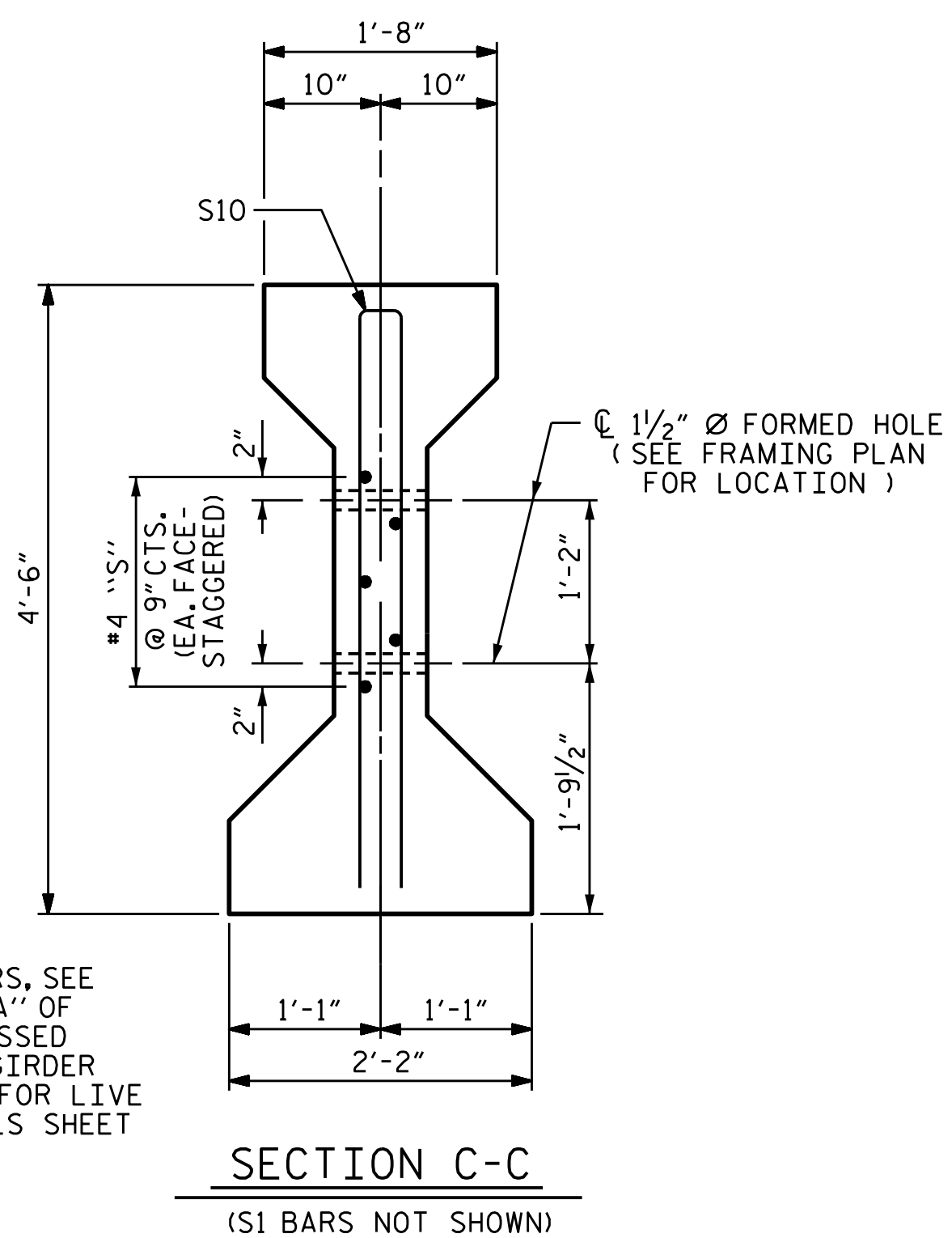
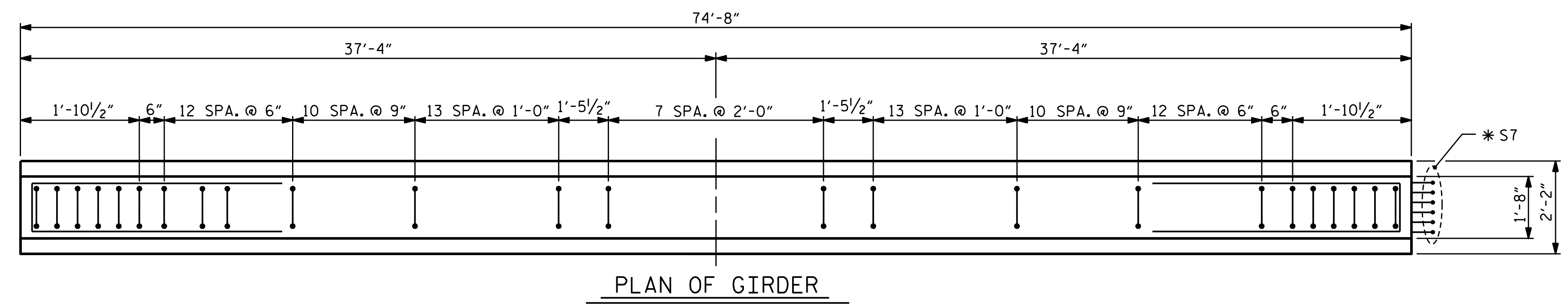


* FOR S7 BARS, SEE
DETAIL "A" OF
PRESTRESSED
CONCRETE GIRDER
CONTINUOUS FOR LIVE
LOAD DETAILS SHEET

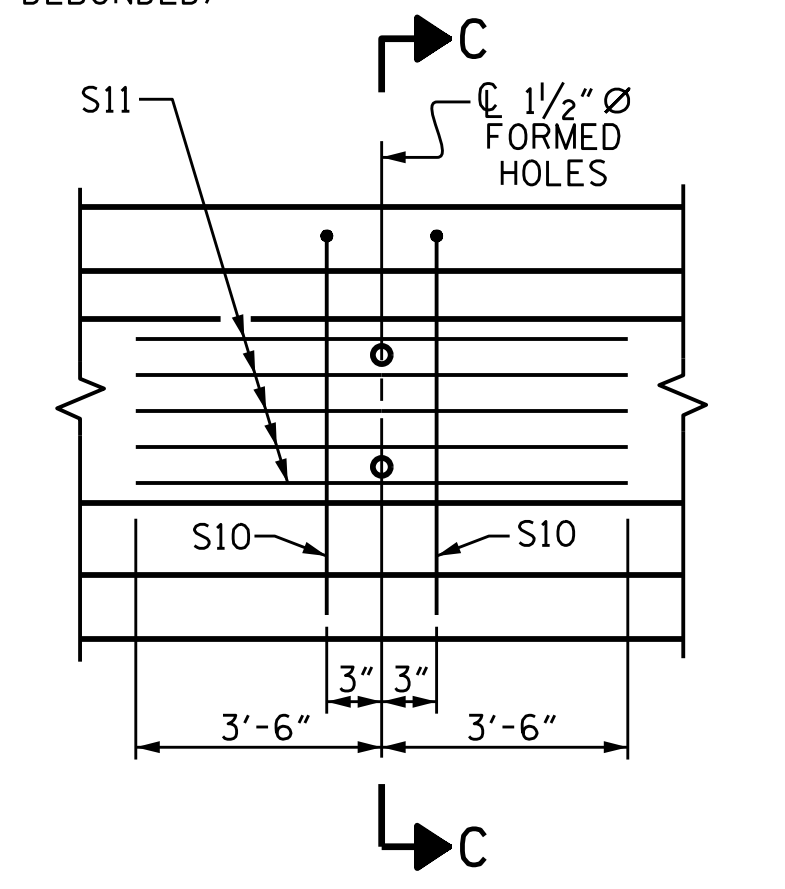


0.6" Ø LOW RELAXATION STRAND LAYOUT
(26 STRANDS REQUIRED. ALL STRAIGHT, PARTIALLY DEBONDED)

DEBONDING LEGEND
● FULLY BONDED STRANDS
▲ STRANDS DEBONDED FOR
4'-0" FROM END OF GIRDER

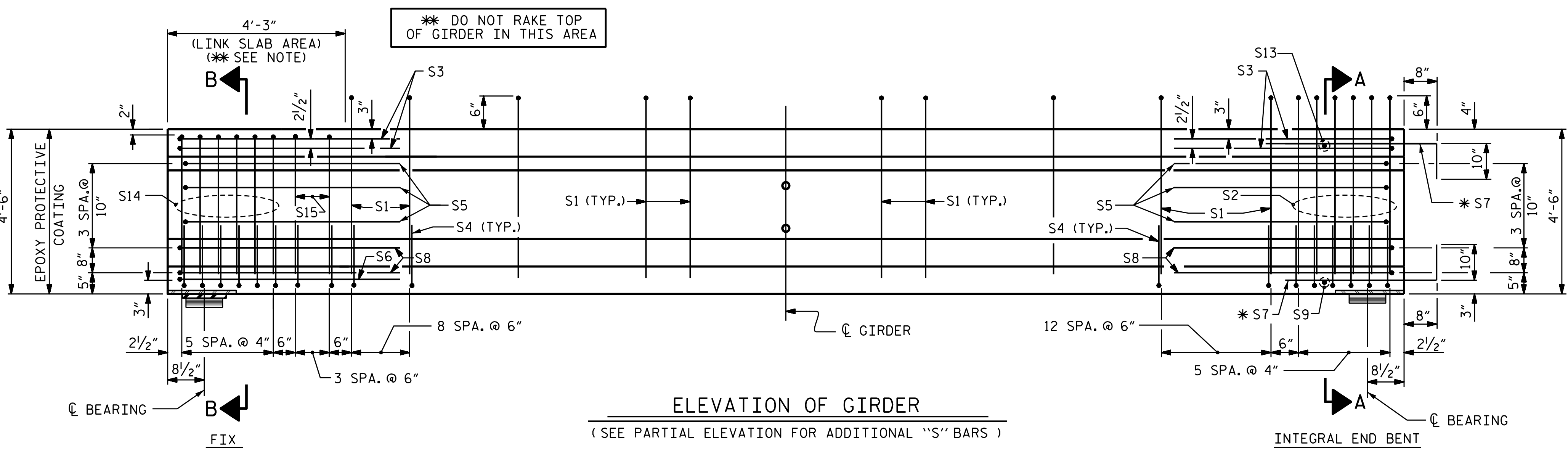


PLAN OF GIRDER



PARTIAL ELEVATION

SHOWING INTERMEDIATE DIAPHRAGM
REINFORCING STEEL FOR ALL GIRDERS



ELEVATION OF GIRDER

(SEE PARTIAL ELEVATION FOR ADDITIONAL "S" BARS)

0.6" Ø L. R. GRADE 270 STRANDS

AREA (SQUARE INCHES)	ULTIMATE STRENGTH (LBS. PER STRAND)	APPLIED PRESTRESS (LBS. PER STRAND)
0.217	58,600	43,950

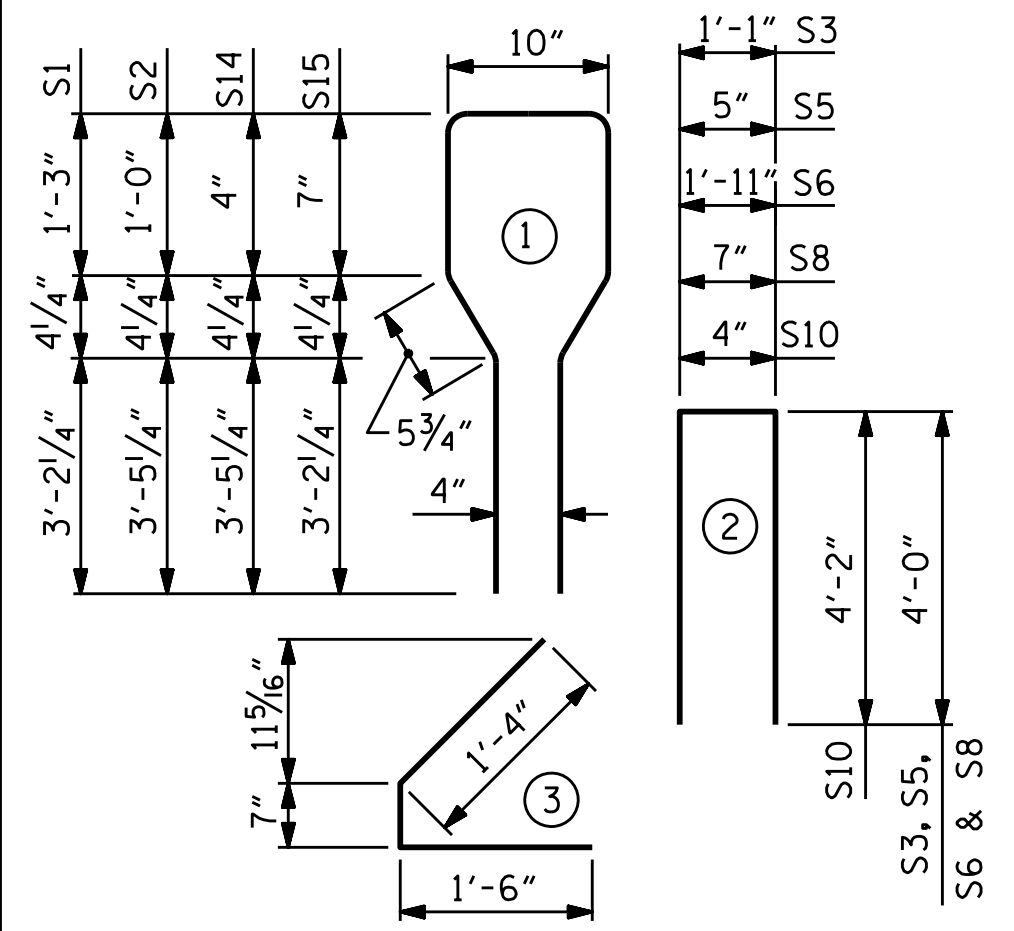
REINFORCING STEEL FOR ONE GIRDER

BAR	NUMBER	SIZE	TYPE	LENGTH	WEIGHT
S1	76	#4	1	10'-8"	542
S2	6	#6	1	10'-8"	96
S3	4	#4	2	9'-1"	24
S4	76	#4	3	3'-5"	173
S5	6	#4	2	8'-5"	34
S6	1	#4	2	9'-11"	7
* S7	12	#5	STR	3'-8"	46
S8	4	#4	2	8'-7"	23
S9	1	#3	STR	1'-10"	1
S10	2	#5	2	8'-8"	18
S11	5	#4	STR	7'-0"	23
S13	1	#3	STR	1'-4"	1
S14	6	#6	1	9'-4"	84
S15	4	#4	1	9'-4"	25

* NOTE: S7 BARS SHALL BE BENT BEFORE SHIPMENT. HEAT BENDING SHALL NOT BE ALLOWED.

BAR TYPES

ALL BAR DIMENSIONS ARE OUT-TO-OUT



QUANTITIES FOR ONE GIRDER

SPAN D	REINFORCING STEEL	7500 PSI CONCRETE	0.6" Ø L. R. STRANDS
	LB.	C.Y.	No.
SPAN D	1097	15.2	26

GIRDERS REQUIRED

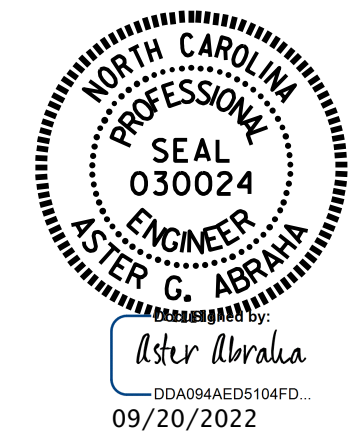
NUMBER	LENGTH	TOTAL LENGTH
4	74'-8"	298'-8"

PROJECT NO. B-5670
NASH COUNTY
STATION: 16+98.00 -L-

SHEET 4 OF 5

STATE OF NORTH CAROLINA
DEPARTMENT OF TRANSPORTATION
RALEIGH

AASHTO TYPE IV
PRESTRESSED CONCRETE GIRDER
LINK SLAB
SPAN D



REVISIONS						SHEET NO. S-18 TOTAL SHEETS 40
NO.	BY:	DATE:	NO.	BY:	DATE:	
1			3			
2			4			

DOCUMENT NOT CONSIDERED
FINAL UNLESS ALL
SIGNATURES COMPLETED

ASSEMBLED BY : M.M. AHMED	DATE : 06/22
CHECKED BY : S. WANCE	DATE : 06/22
DESIGN ENGINEER OF RECORD: M.M. AHMED	DATE : 07/22
DRAWN BY : ELR 8/91	REV. 10/1/11 MAA/GM
CHECKED BY : GRP 8/91	REV. 1/15 MAA/TMG
	REV. 12/17 MAA/THC