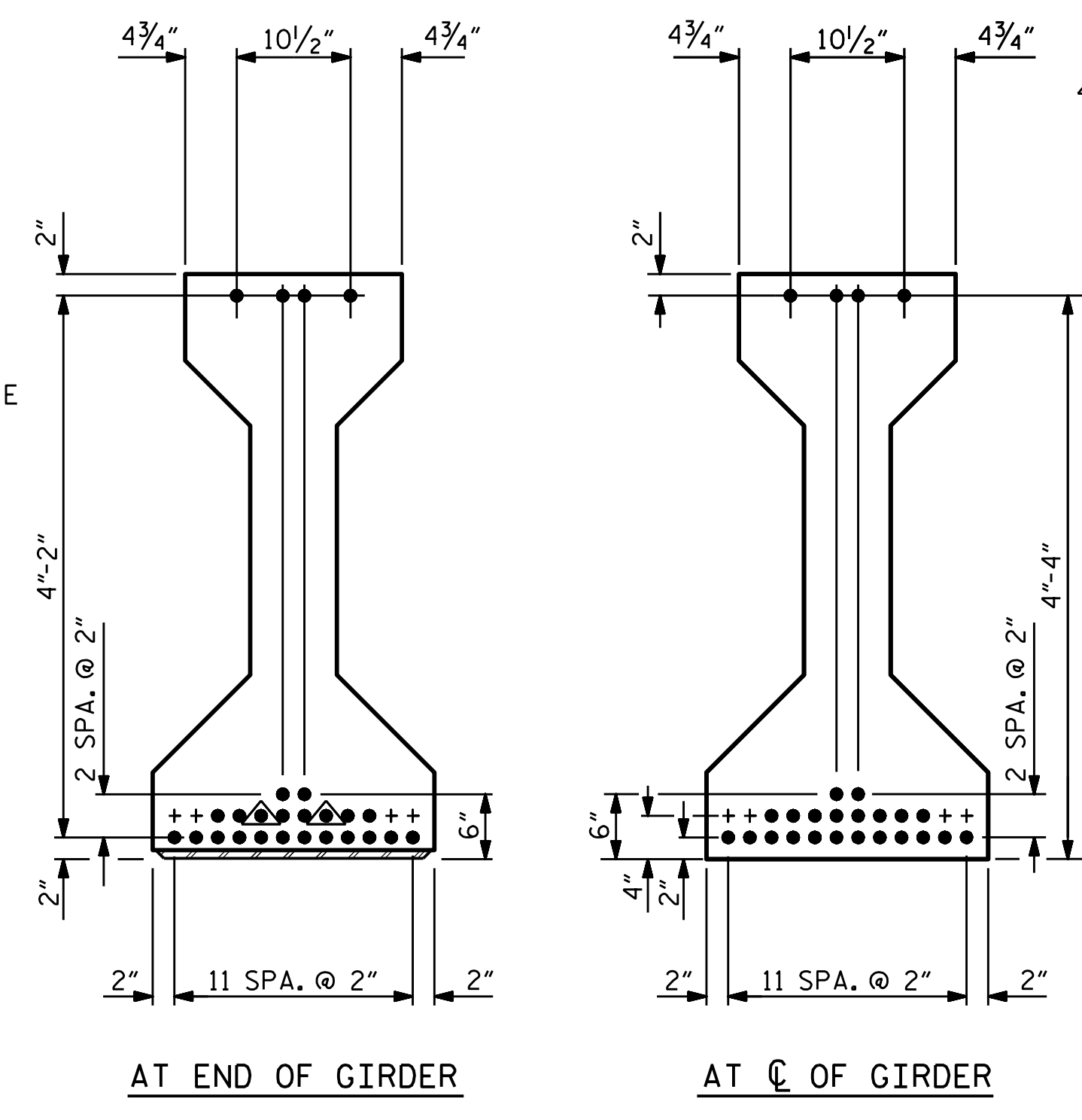
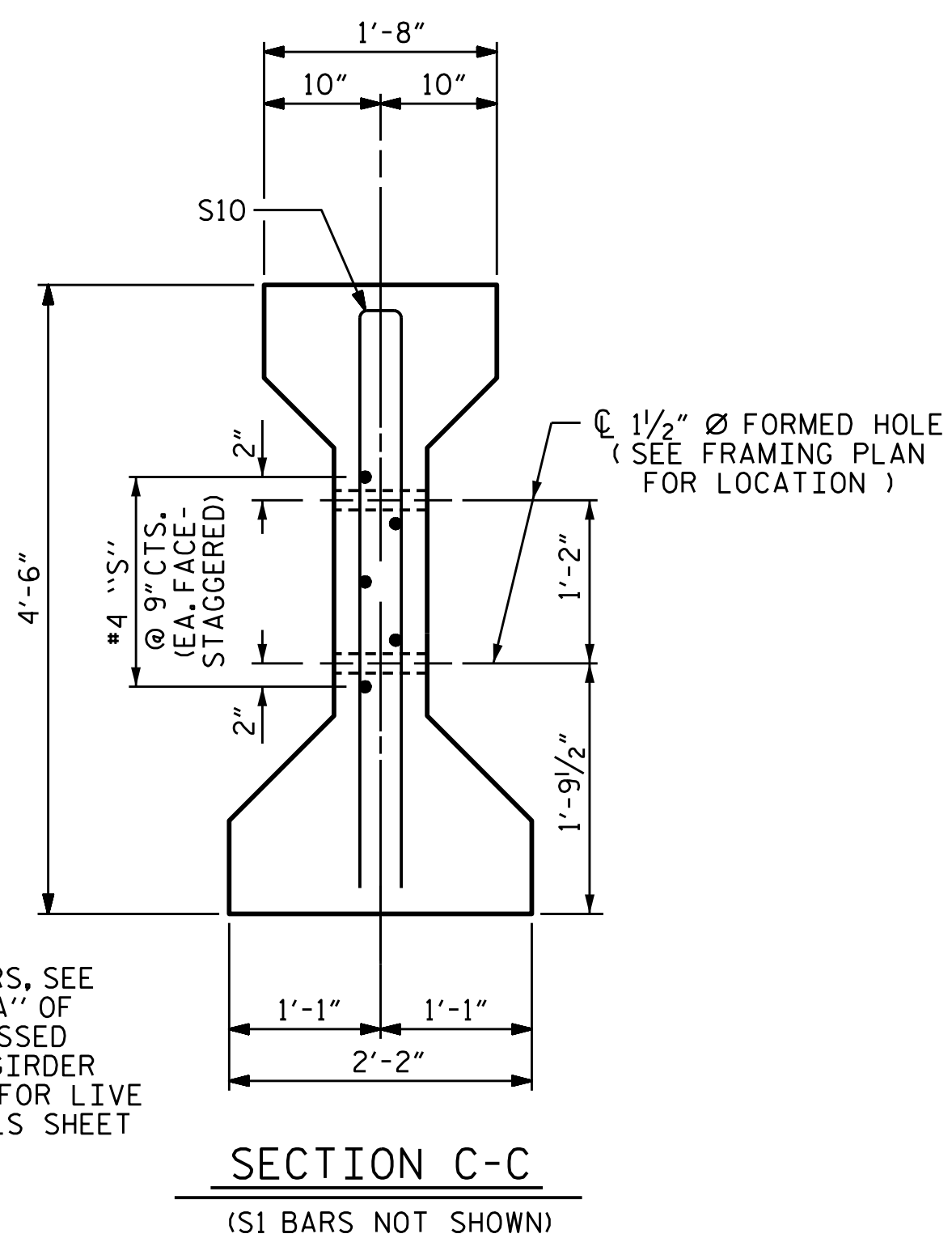


* FOR S7 BARS, SEE
DETAIL "A" OF
PRESTRESSED
CONCRETE GIRDER
CONTINUOUS FOR LIVE
LOAD DETAILS SHEET



0.6" Ø LOW RELAXATION STRAND LAYOUT
(26 STRANDS REQUIRED. ALL STRAIGHT, PARTIALLY DEBONDED)

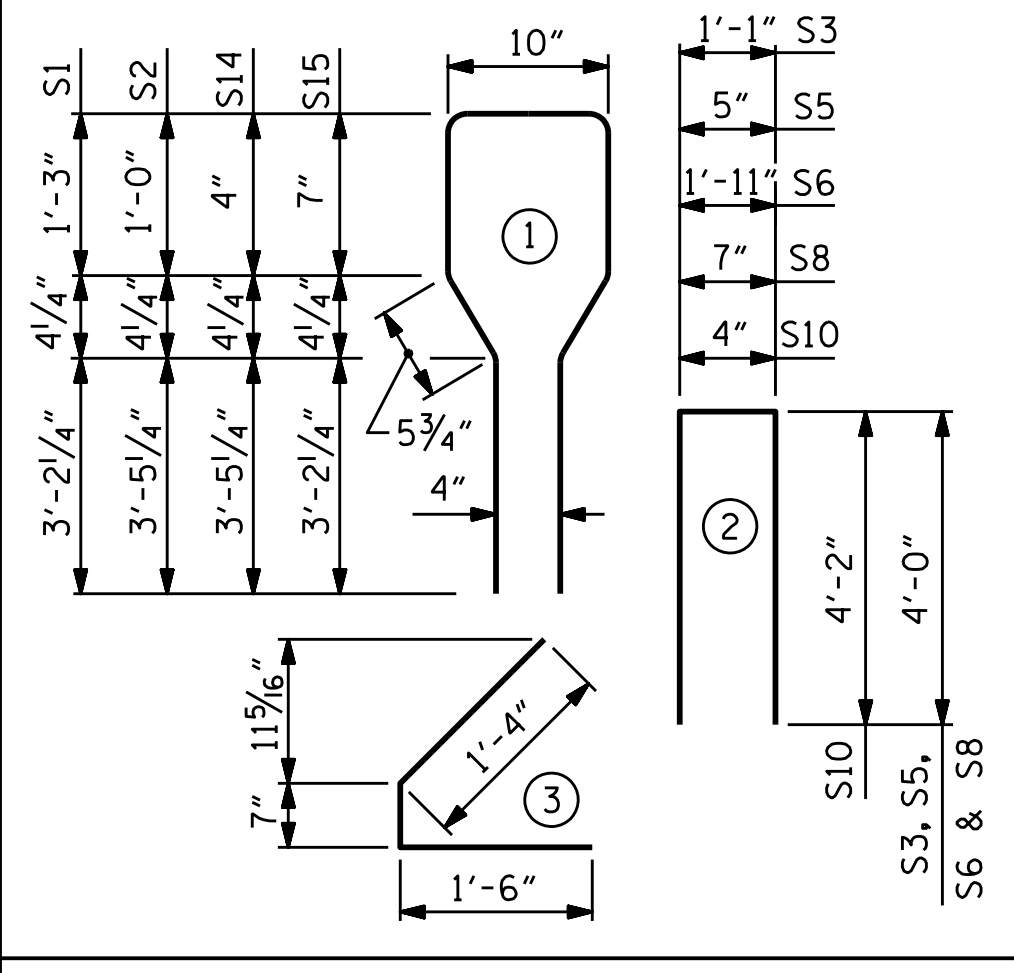
DEBONDING LEGEND
● FULLY BONDED STRANDS
▲ STRANDS DEBONDED FOR
4'-0" FROM END OF GIRDER

0.6" Ø L. R. GRADE 270 STRANDS		
AREA (SQUARE INCHES)	ULTIMATE STRENGTH (LBS. PER STRAND)	APPLIED PRESTRESS (LBS. PER STRAND)
0.217	58,600	43,950

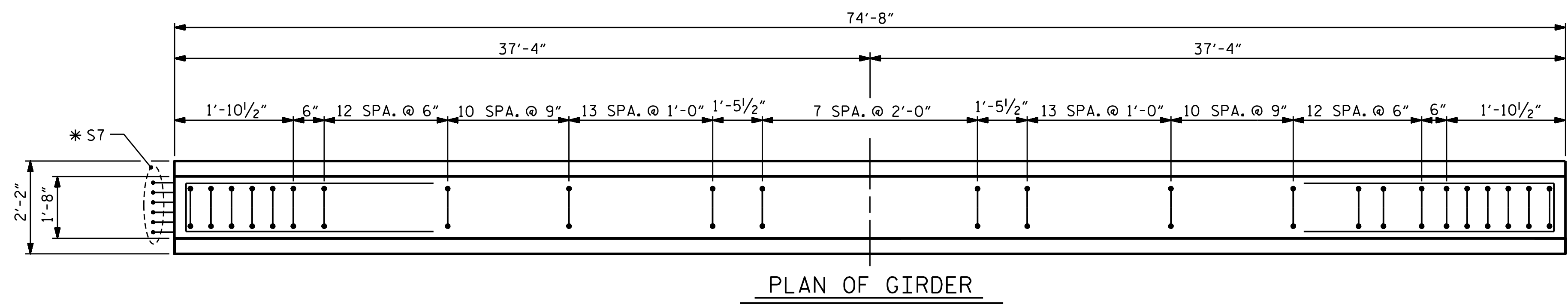
REINFORCING STEEL FOR ONE GIRDER					
BAR	NUMBER	SIZE	TYPE	LENGTH	WEIGHT
S1	76	#4	1	10'-8"	542
S2	6	#6	1	10'-8"	96
S3	4	#4	2	9'-1"	24
S4	76	#4	3	3'-5"	173
S5	6	#4	2	8'-5"	34
S6	1	#4	2	9'-11"	7
* S7	12	#5	STR	3'-8"	46
S8	4	#4	2	8'-7"	23
S9	1	#3	STR	1'-10"	1
S10	2	#5	2	8'-8"	18
S11	5	#4	STR	7'-0"	23
S13	1	#3	STR	1'-4"	1
S14	6	#6	1	9'-4"	84
S15	4	#4	1	9'-4"	25

* NOTE: S7 BARS SHALL BE BENT BEFORE SHIPMENT. HEAT BENDING SHALL NOT BE ALLOWED.

BAR TYPES
ALL BAR DIMENSIONS ARE OUT-TO-OUT

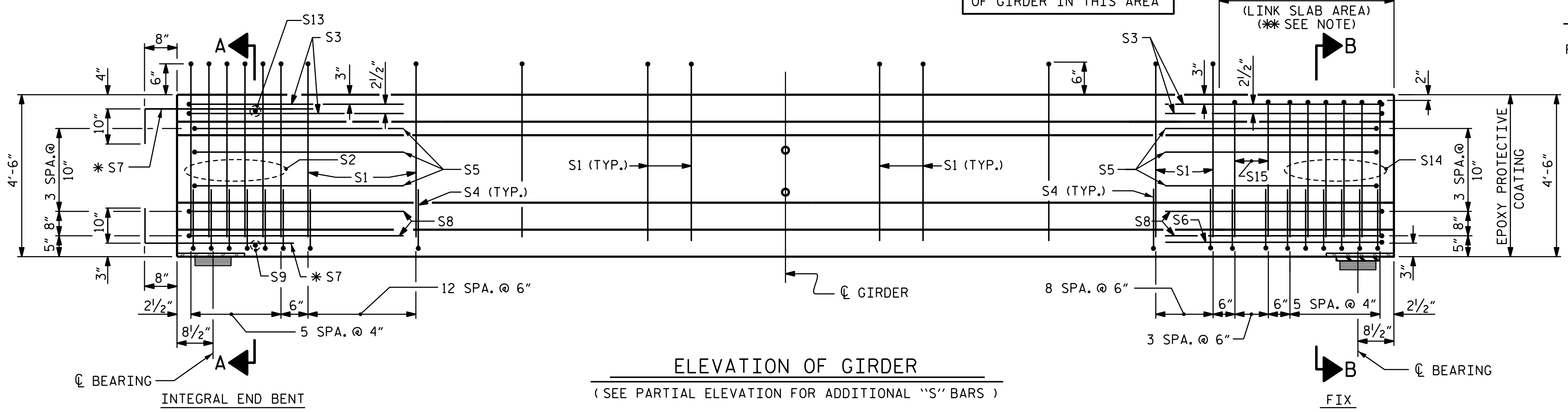


PARTIAL ELEVATION
SHOWING INTERMEDIATE DIAPHRAGM
REINFORCING STEEL FOR ALL GIRDERS



PLAN OF GIRDER

** DO NOT RAKE TOP OF GIRDER IN THIS AREA

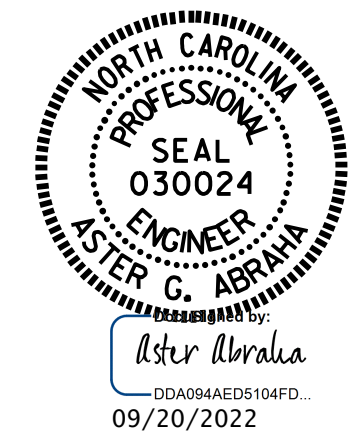


ELEVATION OF GIRDER
(SEE PARTIAL ELEVATION FOR ADDITIONAL "S" BARS)

QUANTITIES FOR ONE GIRDER			
SPAN A	REINFORCING STEEL	7500 PSI CONCRETE	0.6" Ø L. R. STRANDS
	LB.	C.Y.	No.
SPAN A	1097	15.2	26

GIRDERS REQUIRED		
NUMBER	LENGTH	TOTAL LENGTH
4	74'-8"	298'-8"

PROJECT NO. B-5670
NASH COUNTY
 STATION: 16+98.00 -L-
 SHEET 1 OF 5



STATE OF NORTH CAROLINA
 DEPARTMENT OF TRANSPORTATION
 RALEIGH

**AASHTO TYPE IV
 PRESTRESSED CONCRETE GIRDER
 LINK SLAB
 SPAN A**

ASSEMBLED BY : M.M. AHMED	DATE : 06/22
CHECKED BY : S. WANCE	DATE : 06/22
DESIGN ENGINEER OF RECORD: M.M. AHMED	DATE : 07/22
DRAWN BY : ELR 8/91	REV. 10/1/11 MAA/GM
CHECKED BY : GRP 8/91	REV. 1/15 MAA/TMG
	REV. 12/17 MAA/THC

DOCUMENT NOT CONSIDERED
 FINAL UNLESS ALL
 SIGNATURES COMPLETED

REVISIONS						SHEET NO. S-15
NO.	BY:	DATE:	NO.	BY:	DATE:	
1			3			TOTAL SHEETS 40
2			4			