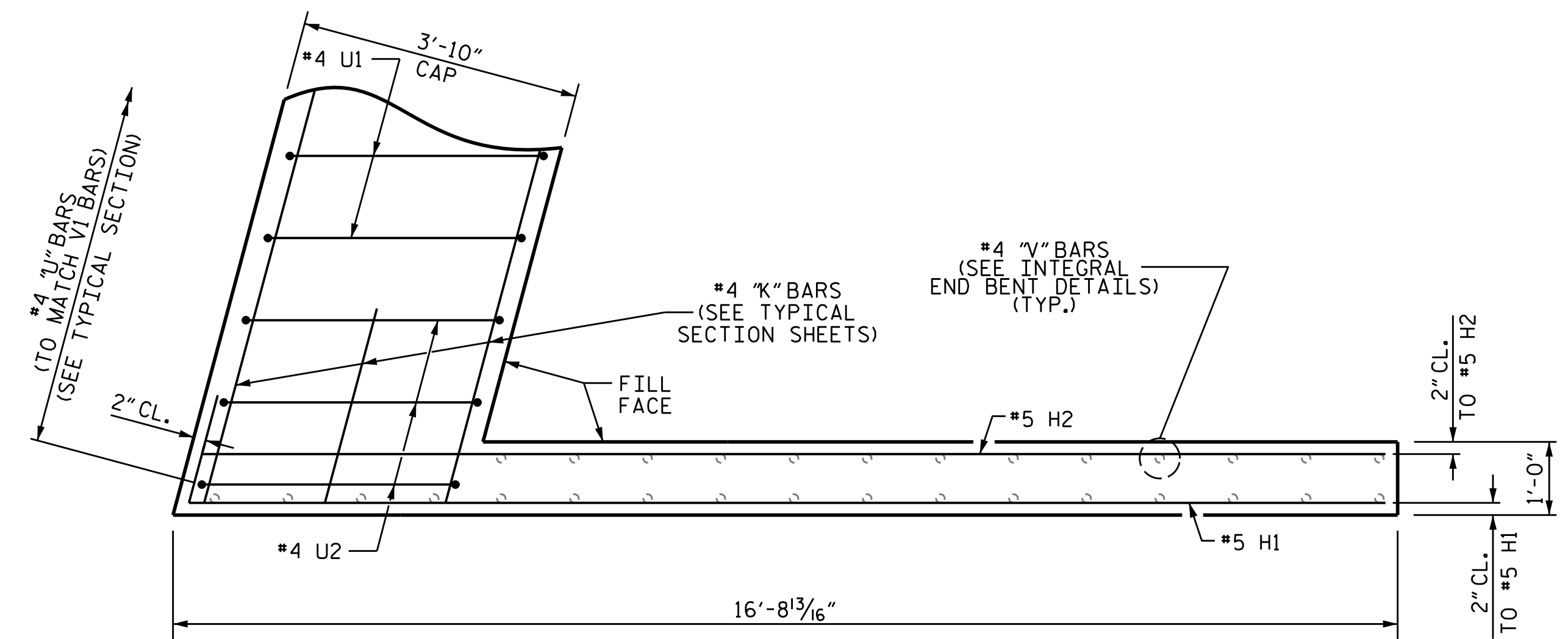
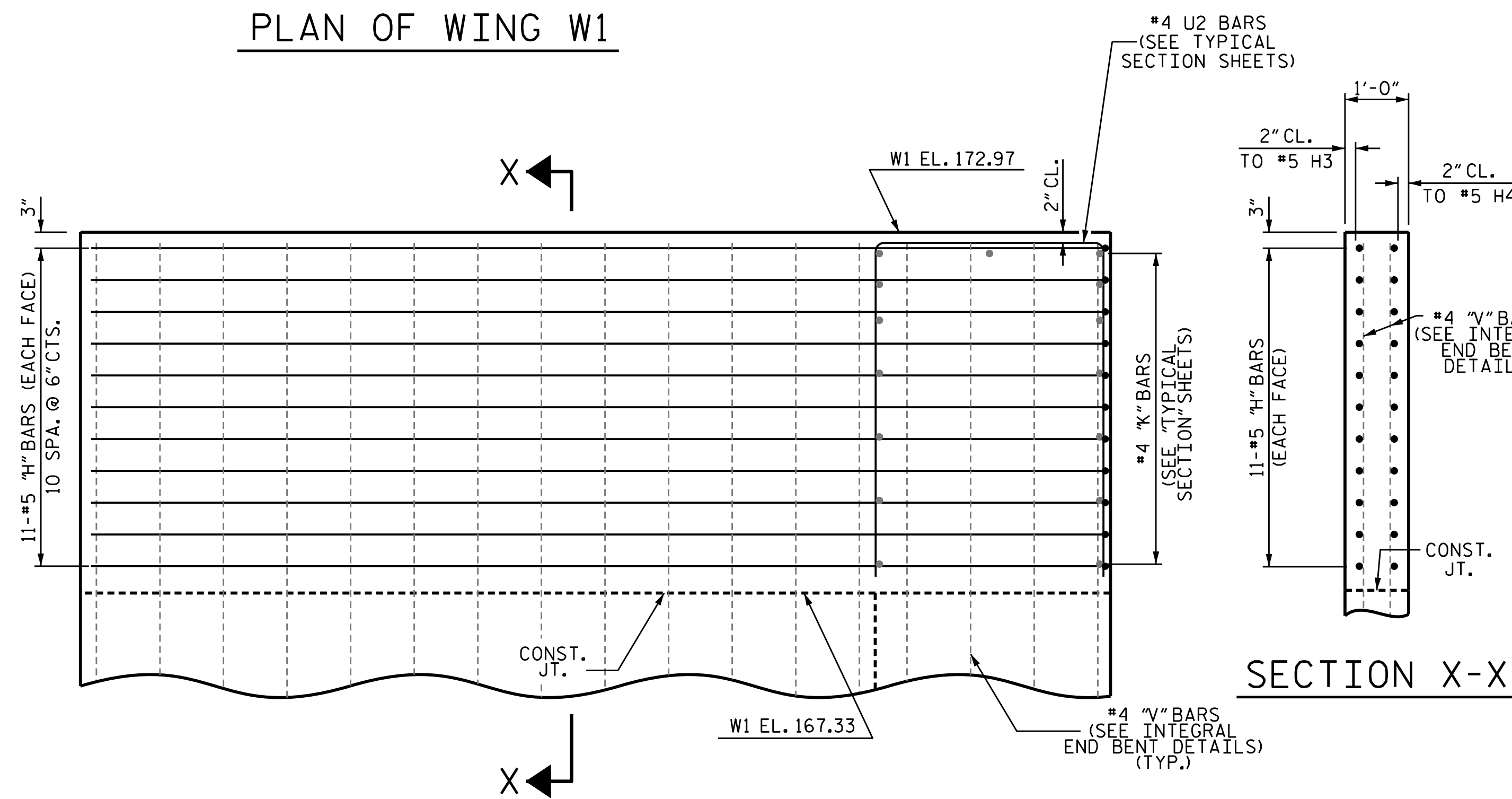


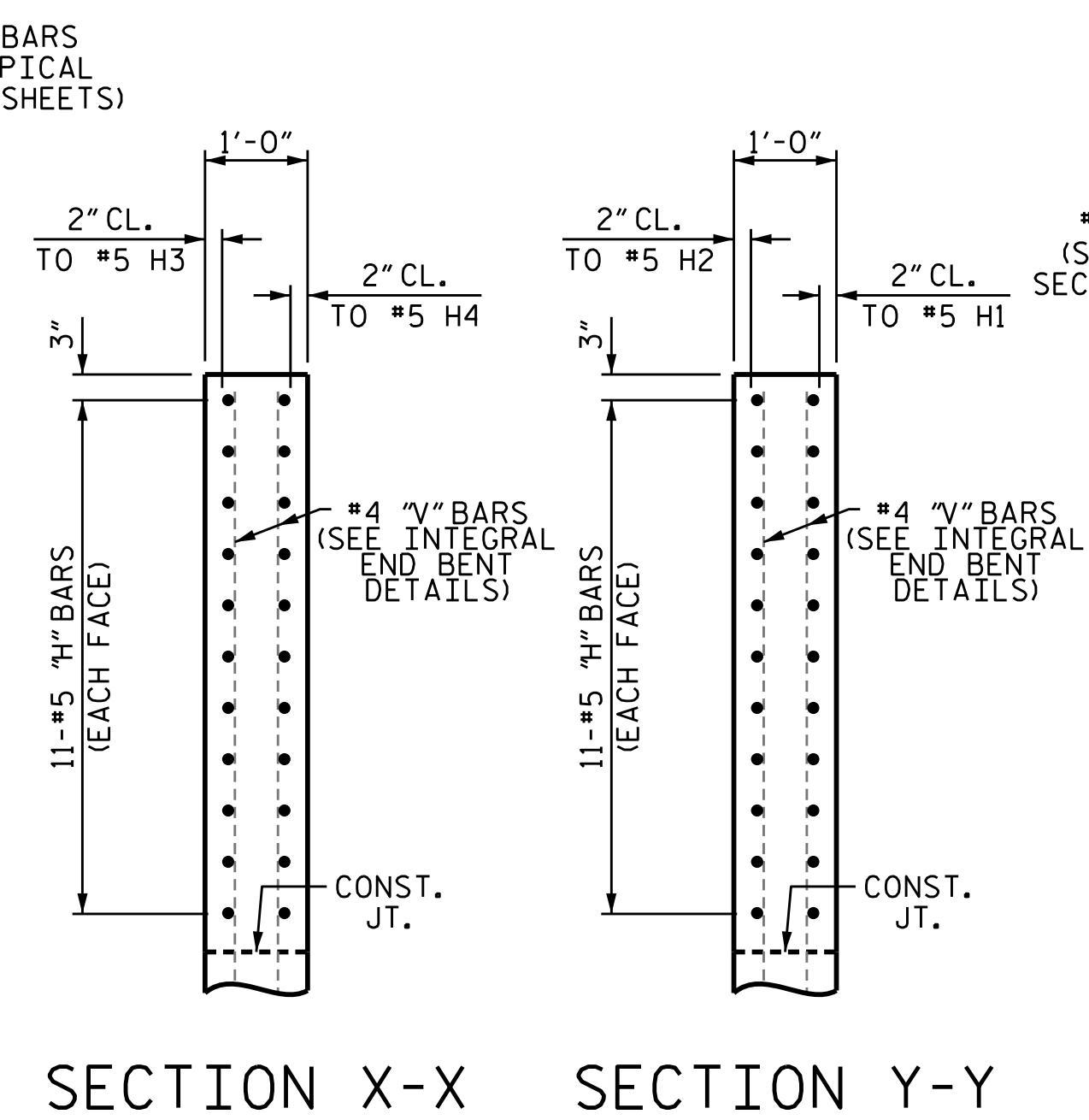
PLAN OF WING W1



PLAN OF WING W2

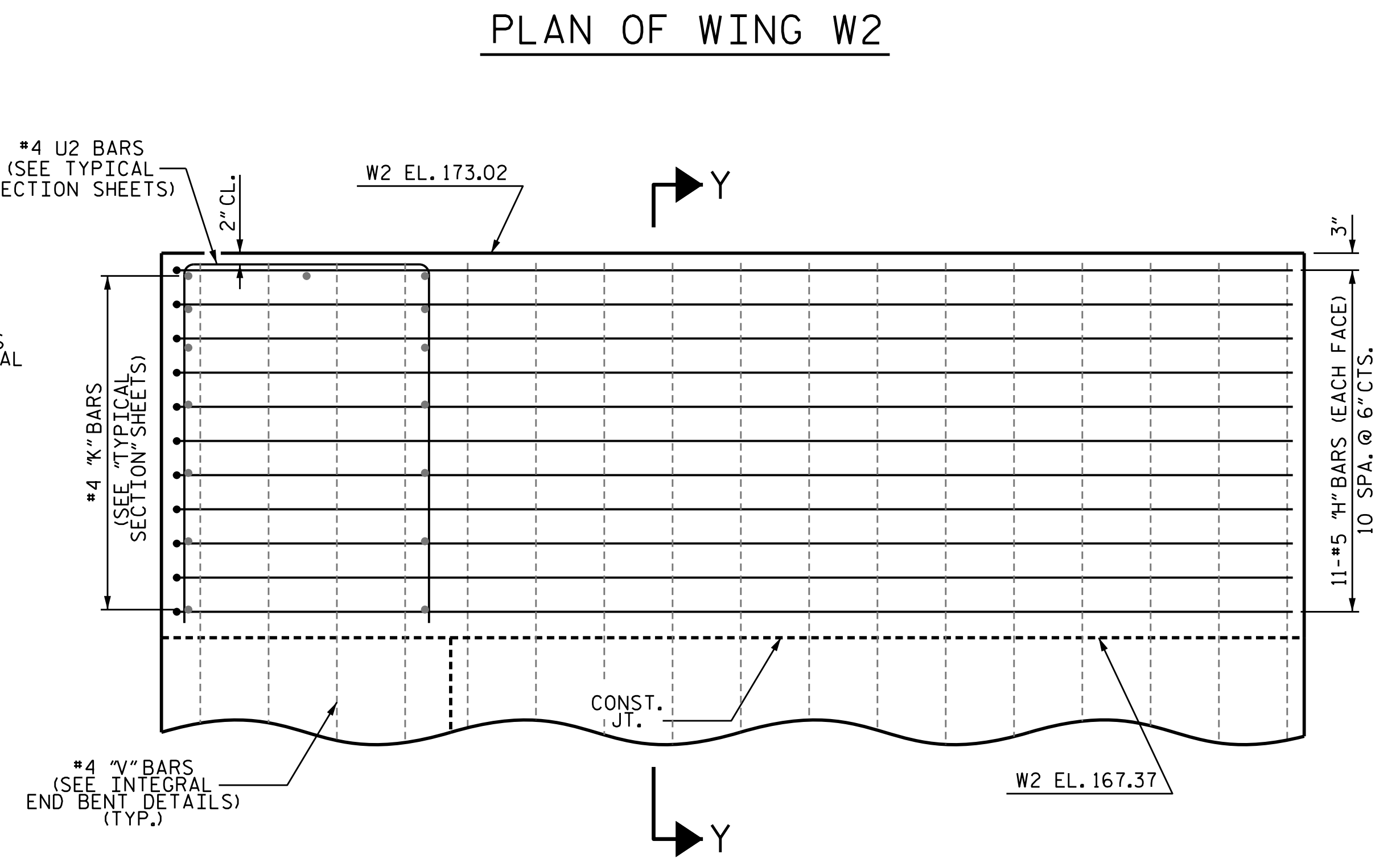


ELEVATION OF WING W1



SECTION X-X

SECTION Y-Y

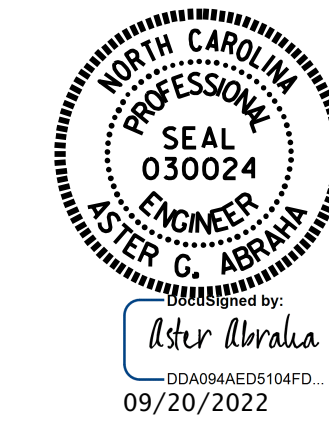


ELEVATION OF WING W2

UPPER WINGS AT INTEGRAL END BENT 2
FOR LOWER WING REINFORCING STEEL AND DETAILS, SEE "INTEGRAL END BENT 2" SHEETS

PROJECT NO. B-5670
NASH COUNTY
STATION: 16+98.00 -L-

SHEET 6 OF 6



STATE OF NORTH CAROLINA
DEPARTMENT OF TRANSPORTATION
RALEIGH
SUBSTRUCTURE
PLAN OF SPANS
DETAILS @ END BENT 2

DRAWN BY: G. AYES DATE: 6/2022
CHECKED BY: M. M. AHMED DATE: 7/2022
DESIGN ENGINEER OF RECORD: M. M. AHMED DATE: 6/2022

DOCUMENT NOT CONSIDERED
FINAL UNLESS ALL
SIGNATURES COMPLETED

REVISIONS			SHEET NO.		
NO.	BY:	DATE:	NO.	BY:	DATE:
1			3		
2			4		

S-13
TOTAL SHEETS
40

9/20/2022
R:\Structures\Plans\OBD\401.B5670.SMU. 5*.S06.630029.dgn
aabrah