

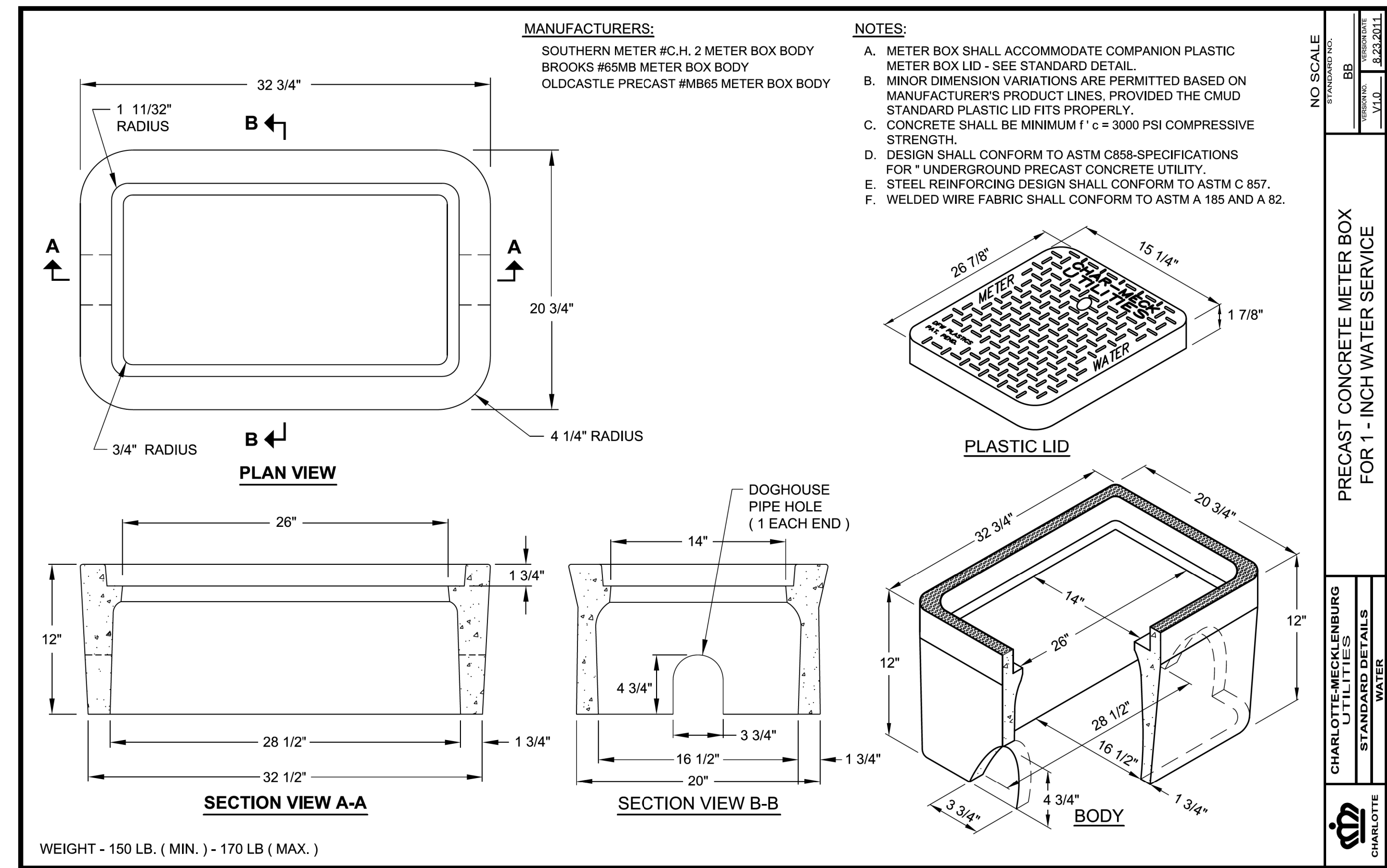
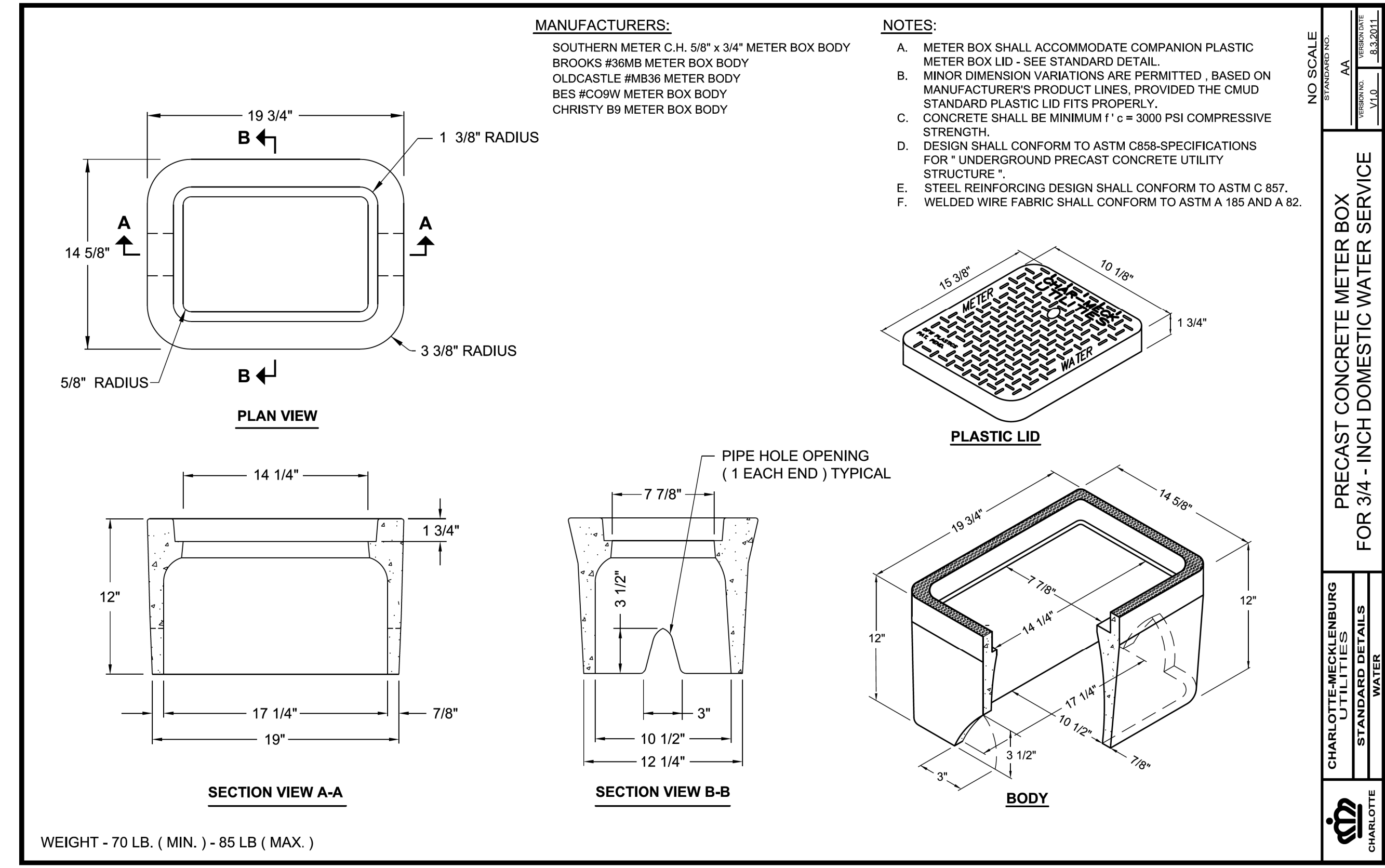
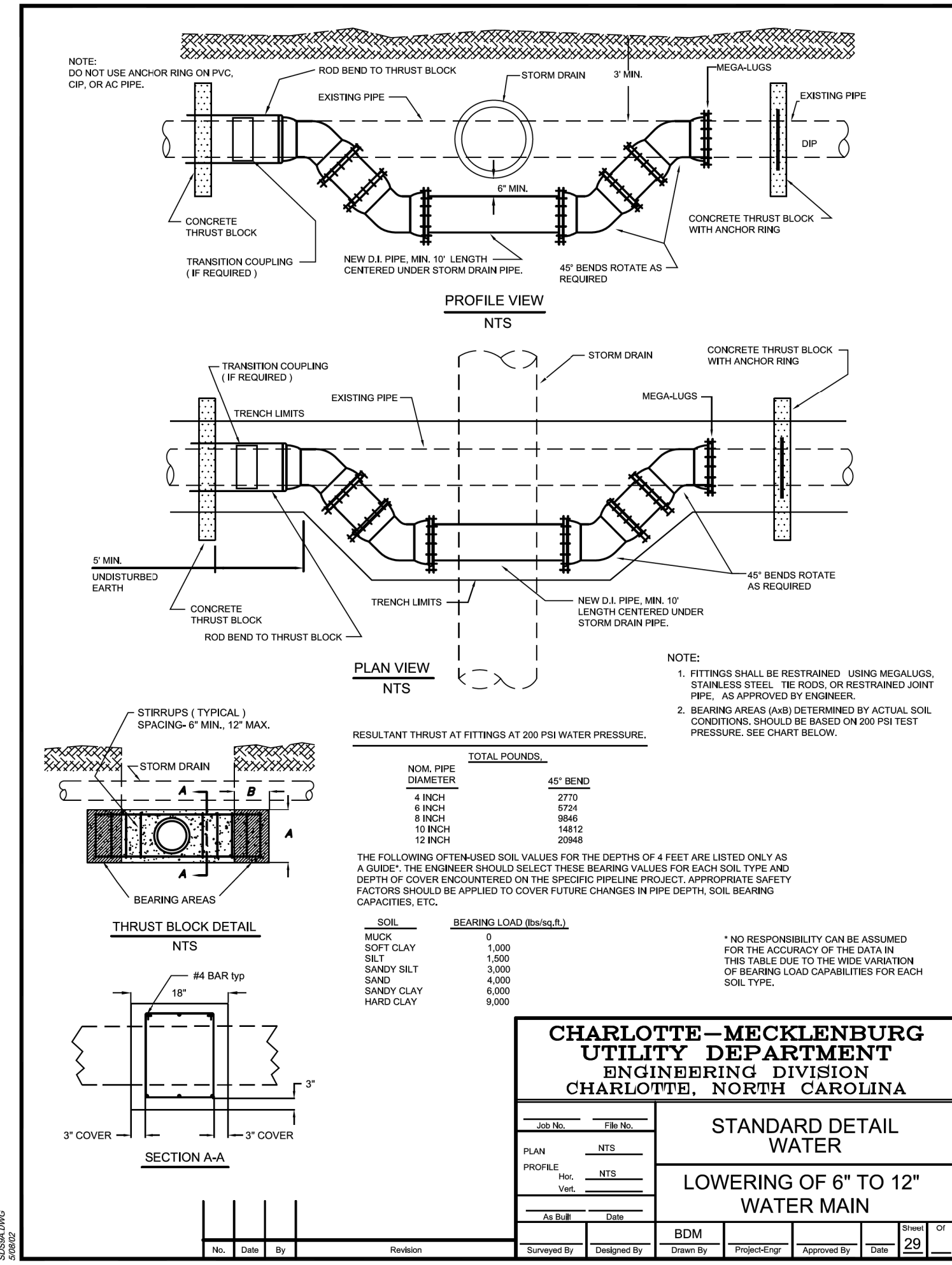
5/14/99

REVISIONS

8/17/2022

**Kimley»Horn**  
 200 SOUTH TRYON ST, SUITE 200  
 CHARLOTTE, N.C. 28202

PROJECT REFERENCE NO.	SHEET NO.
I-5973	UC-3A
DESIGNED BY: DGB	
DRAWN BY: SLG	
CHECKED BY: MAS	
APPROVED BY:	
REVISED:	
NORTH CAROLINA DEPARTMENT OF TRANSPORTATION	
UTILITIES ENGINEERING SEC. PHONE: (919)707-6690 FAX: (919)250-4151	UTILITY CONSTRUCTION PLANS ONLY



NO SCALE  
 STANDARD DETAIL  
 AA  
 8-23-2011  
 PRECAST CONCRETE METER BOX FOR 3/4 - INCH DOMESTIC WATER SERVICE  
 CHARLOTTE-MECKLENBURG UTILITIES STANDARD DETAILS WATER

NO SCALE  
 STANDARD DETAIL  
 BB  
 8-23-2011  
 PRECAST CONCRETE METER BOX FOR 1 - INCH WATER SERVICE  
 CHARLOTTE-MECKLENBURG UTILITIES STANDARD DETAILS WATER