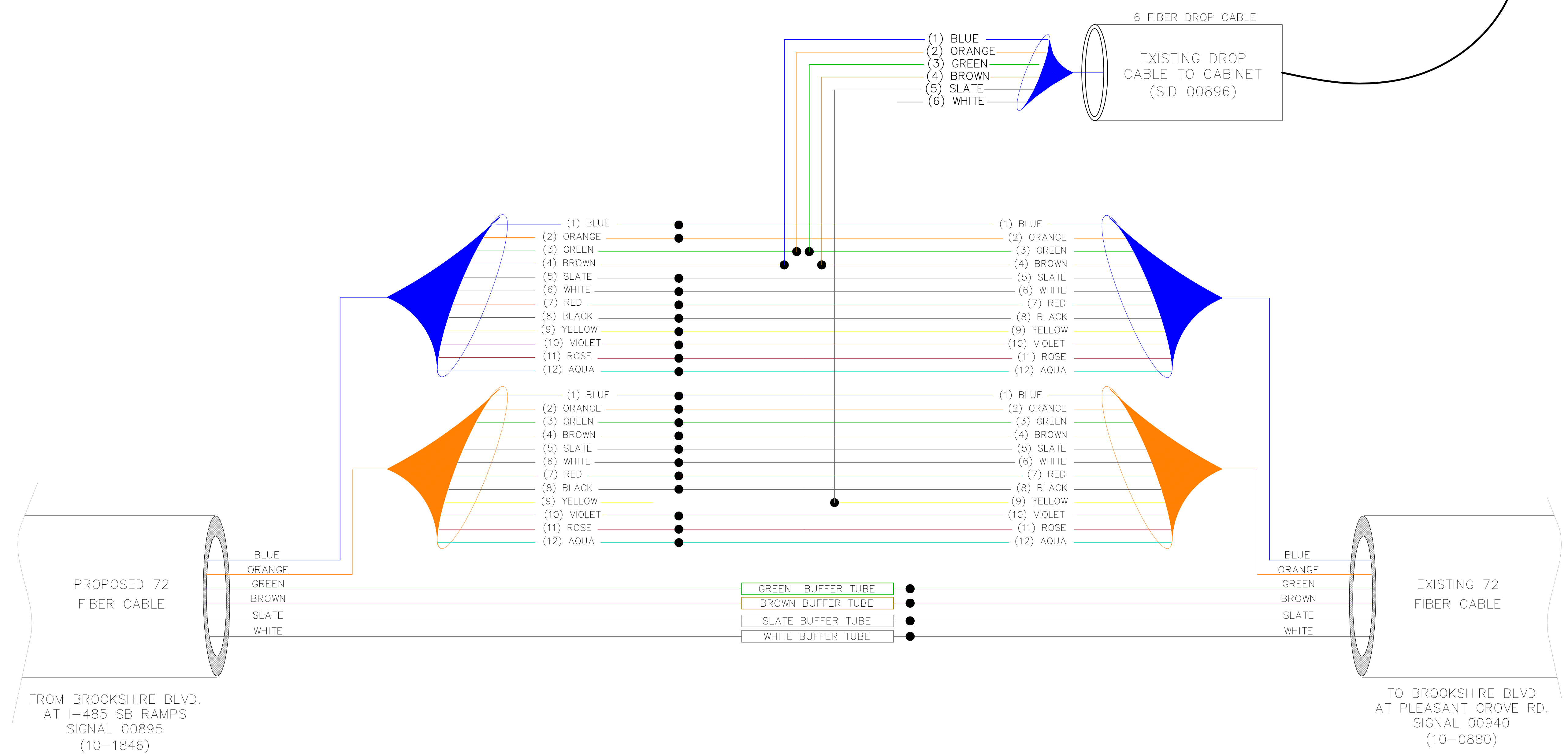
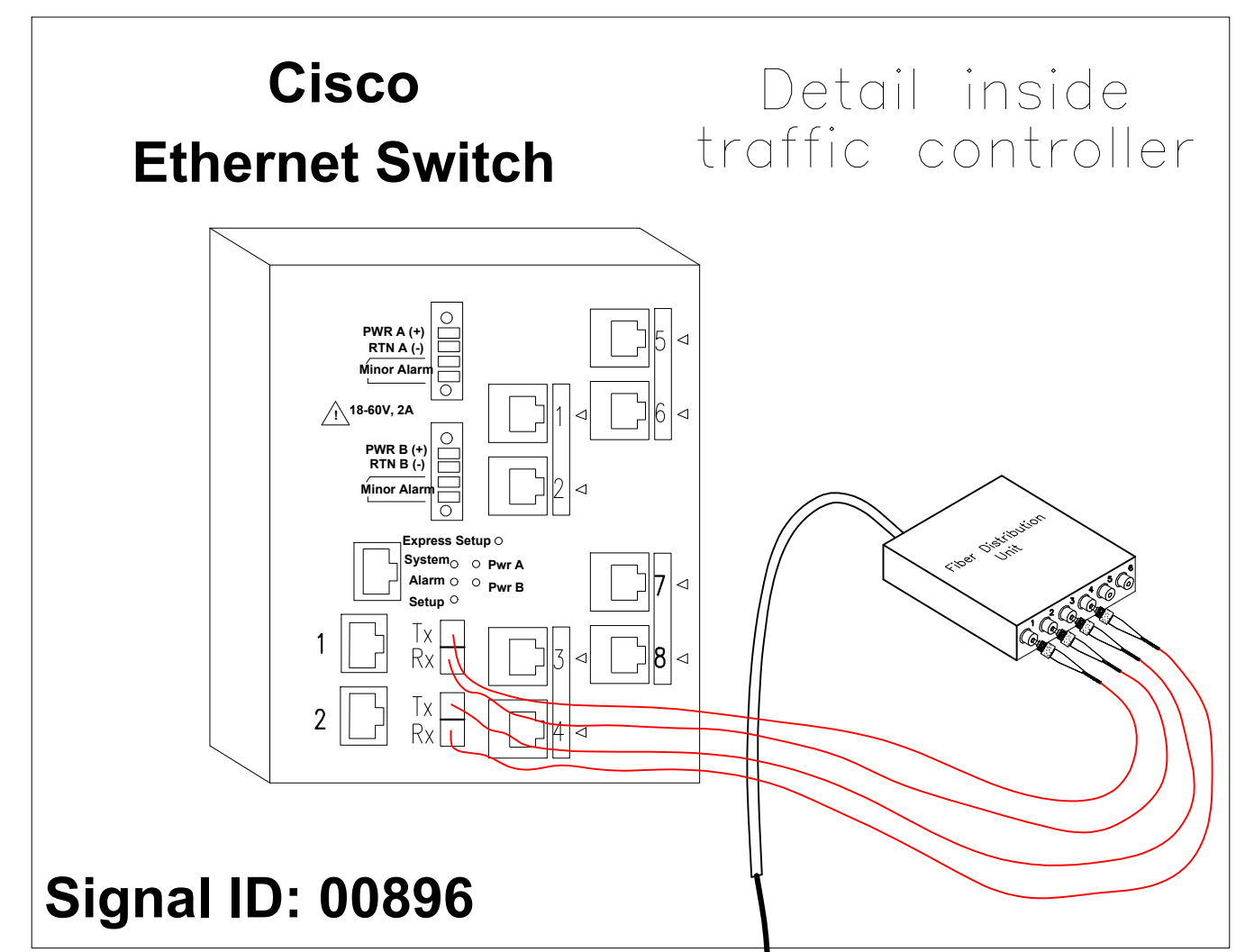


MODIFY EXISTING SPLICE ENCLOSURE IN EXISTING MANHOLE (MH2) AT BROOKSHIRE BLVD. AT I-485 NB INNER RAMP SIG. INV# 00896 (10-1853)

COLOR CODE TIA/EIA 598-A		LEGEND	
(1) BLUE	(7) RED	○ EXISTING SPLICE	— BUFFER TUBE
(2) ORANGE	(8) BLACK	● NEW SPLICE	
(3) GREEN	(9) YELLOW		
(4) BROWN	(10) VIOLET		
(5) SLATE	(11) ROSE		
(6) WHITE	(12) AQUA		

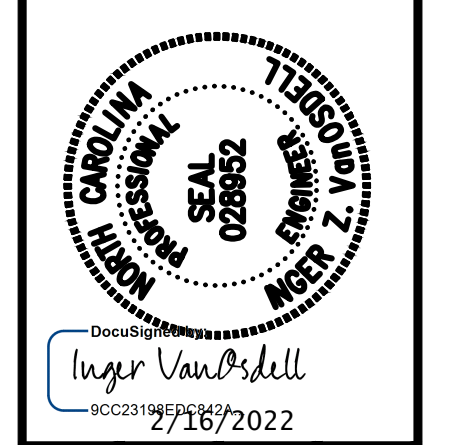


EXISTING SPLICE CASE IN MH# 2 (SEE SHEET CR9) AT BROOKSHIRE BLVD

PROJECT REFERENCE NO.
I-5973
SHEET NO.
SCP3D

Plans Prepared By:
Kimley»Horn
NC License #F-0102
421 Fayetteville Street, Suite 600
Raleigh, NC 27601
919-677-2000

NO.	DATE	BY	DESCRIPTION



DOCUMENT NOT CONSIDERED FINAL UNLESS ALL SIGNATURES COMPLETED

CDOT/ITS:###/###	1"=20'	SCALE
MC Burke	IZ Vansodell	CAD FILE
PREPARED BY	CHECKED BY	DATE
IZ Vansodell	09/2021	DATE

BROOKSHIRE BOULEVARD CHARLOTTE, NC

SPLICE DETAILS

SHEET **CR3D** OF **CR9**