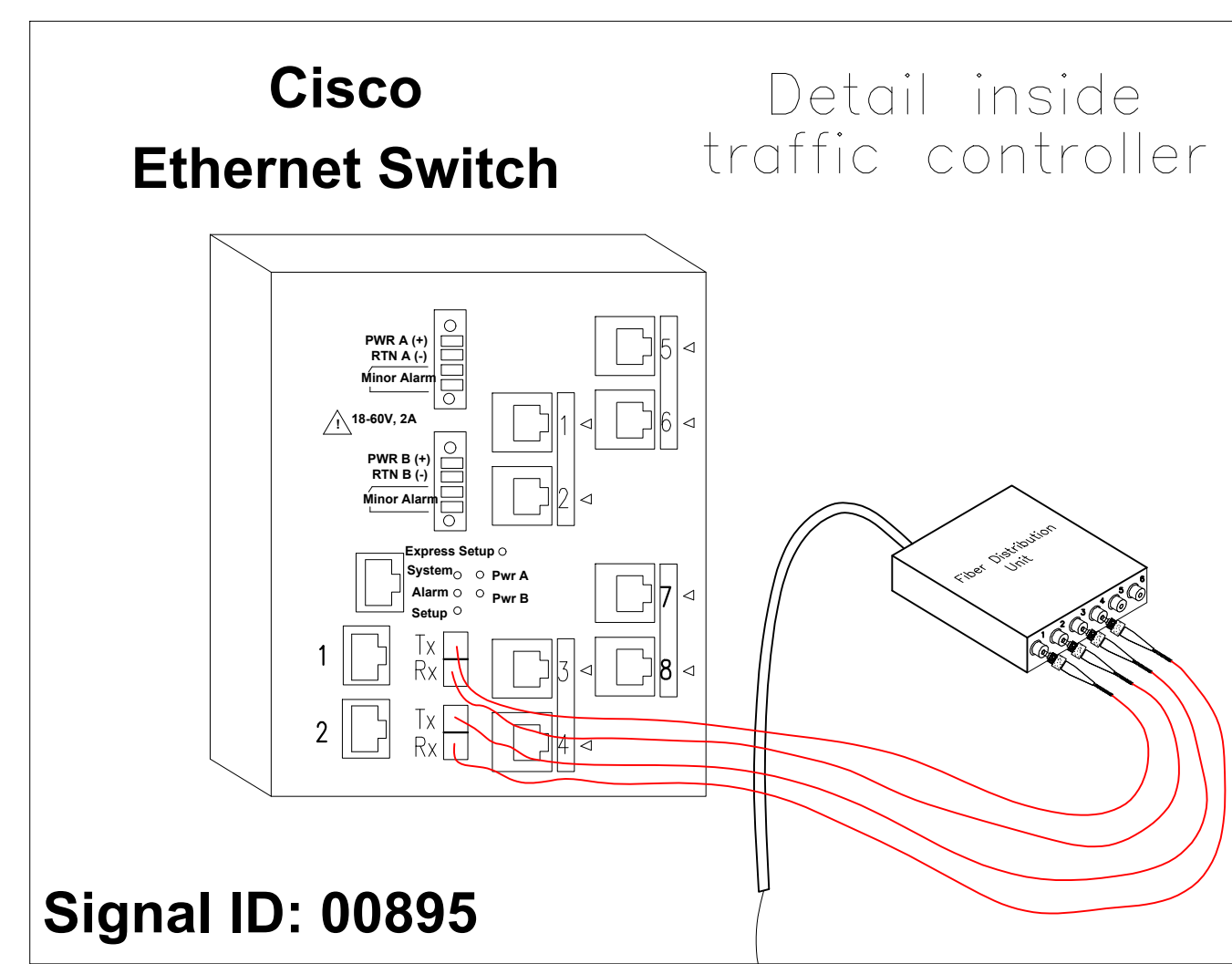
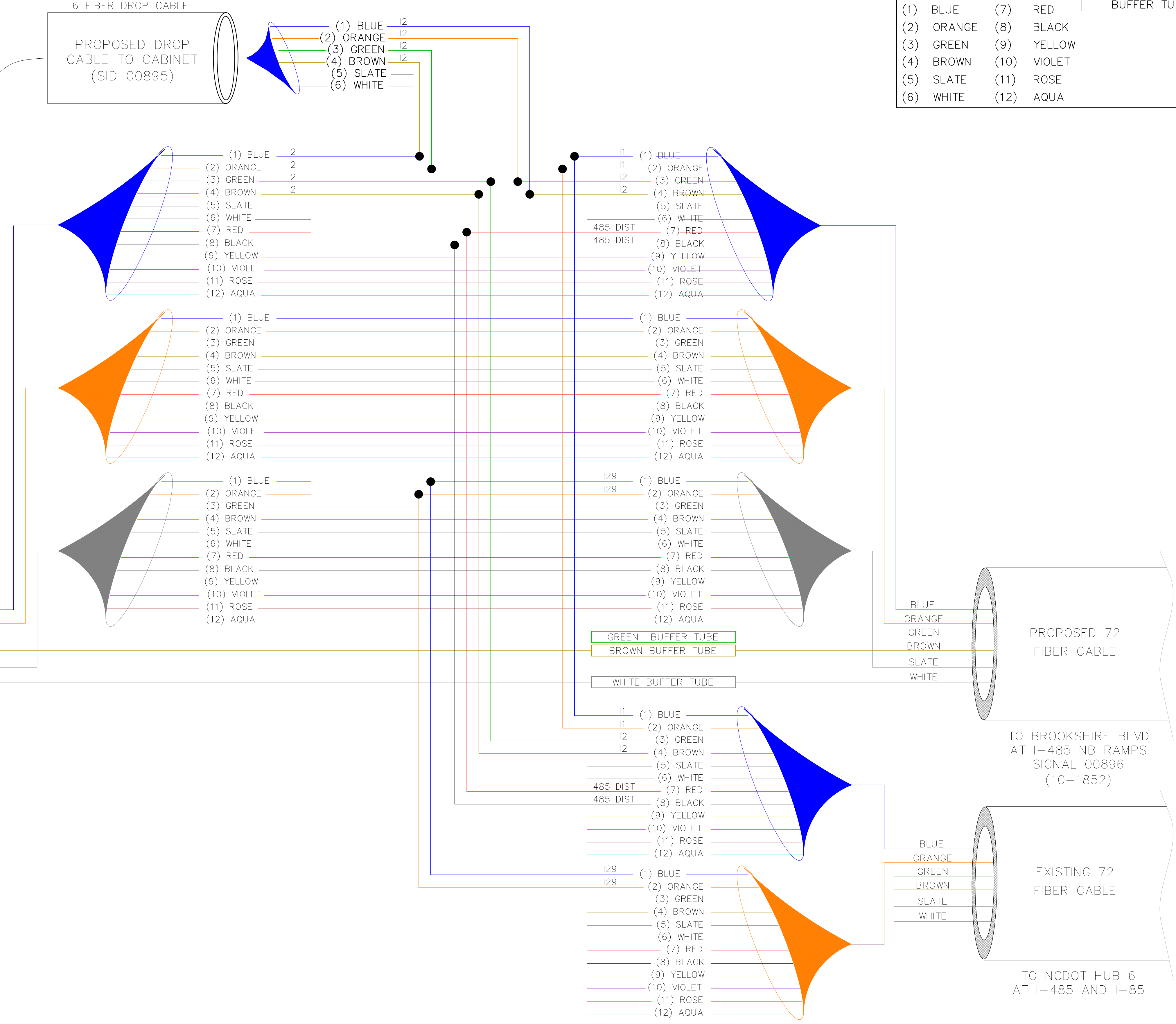
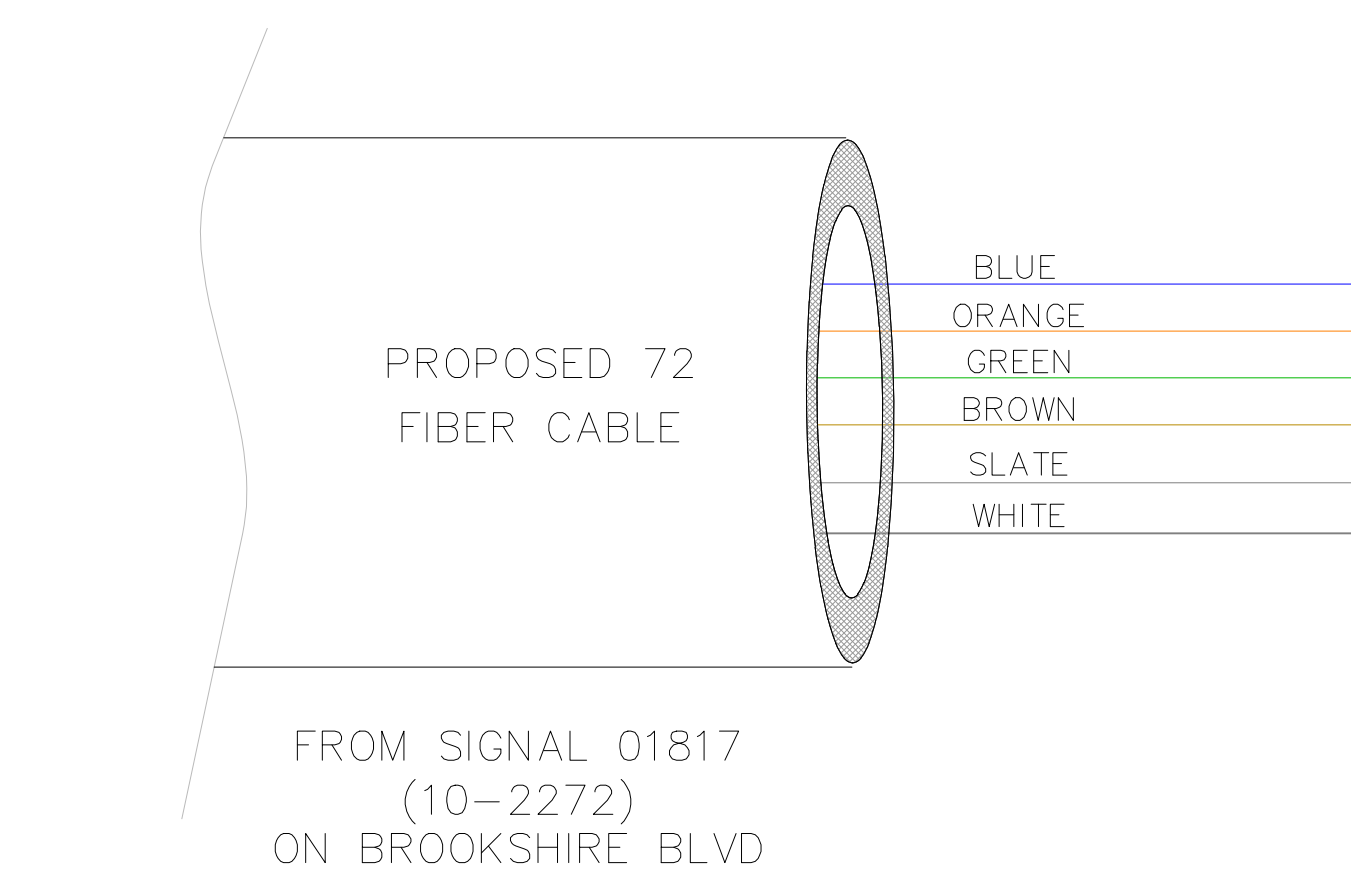


NEW SPLICE ENCLOSURE IN NEW HANDHOLE (HH5) AT BROOKSHIRE BLVD AT I-485 SB OUTER RAMP SIG. INV# 00895 (10-1846)



6 FIBER DROP CABLE
PROPOSED DROP CABLE TO CABINET (SID 00895)

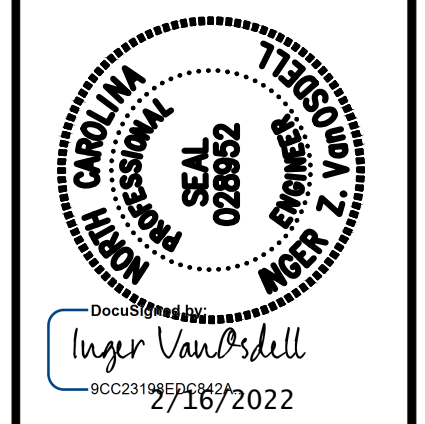
COLOR CODE TIA/EIA 598-A		LEGEND	
(1) BLUE	(7) RED	○ EXISTING SPLICE	□ BUFFER TUBE
(2) ORANGE	(8) BLACK	● NEW SPLICE	
(3) GREEN	(9) YELLOW		
(4) BROWN	(10) VIOLET		
(5) SLATE	(11) ROSE		
(6) WHITE	(12) AQUA		



PROJECT REFERENCE NO.
I-5973
SHEET NO.
SCP3C

Plans Prepared By:
Kimley»Horn
NC License #1-0102
421 Fayetteville Street, Suite 600
Raleigh, NC 27601
919-677-2000

NO.	DATE	BY	DESCRIPTION



DOCUMENT NOT CONSIDERED FINAL UNLESS ALL SIGNATURES COMPLETED	SCALE	1"=20'
	CAD FILE	
JOB NO.	COORDS-###	
PREPARED BY	MC Burke	
CHECKED BY	IZ Vanosdell	
DATE	09/20/21	
APPROVED BY		

BROOKSHIRE BOULEVARD CHARLOTTE, NC

SPLICE DETAILS

SPLICE CASE IN FIBER HH# 5 (SEE SHEET CR7) AT BROOKSHIRE BLVD

SHEET
CR3C
OF
CR9