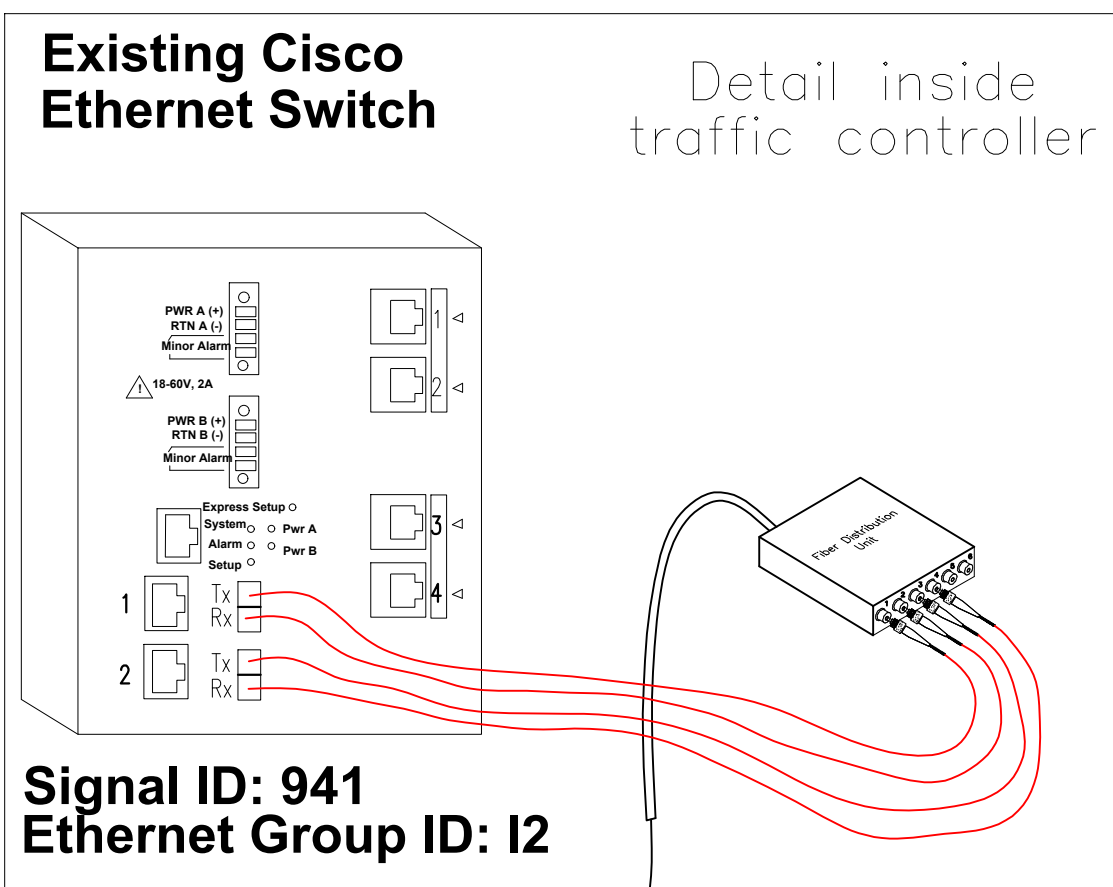
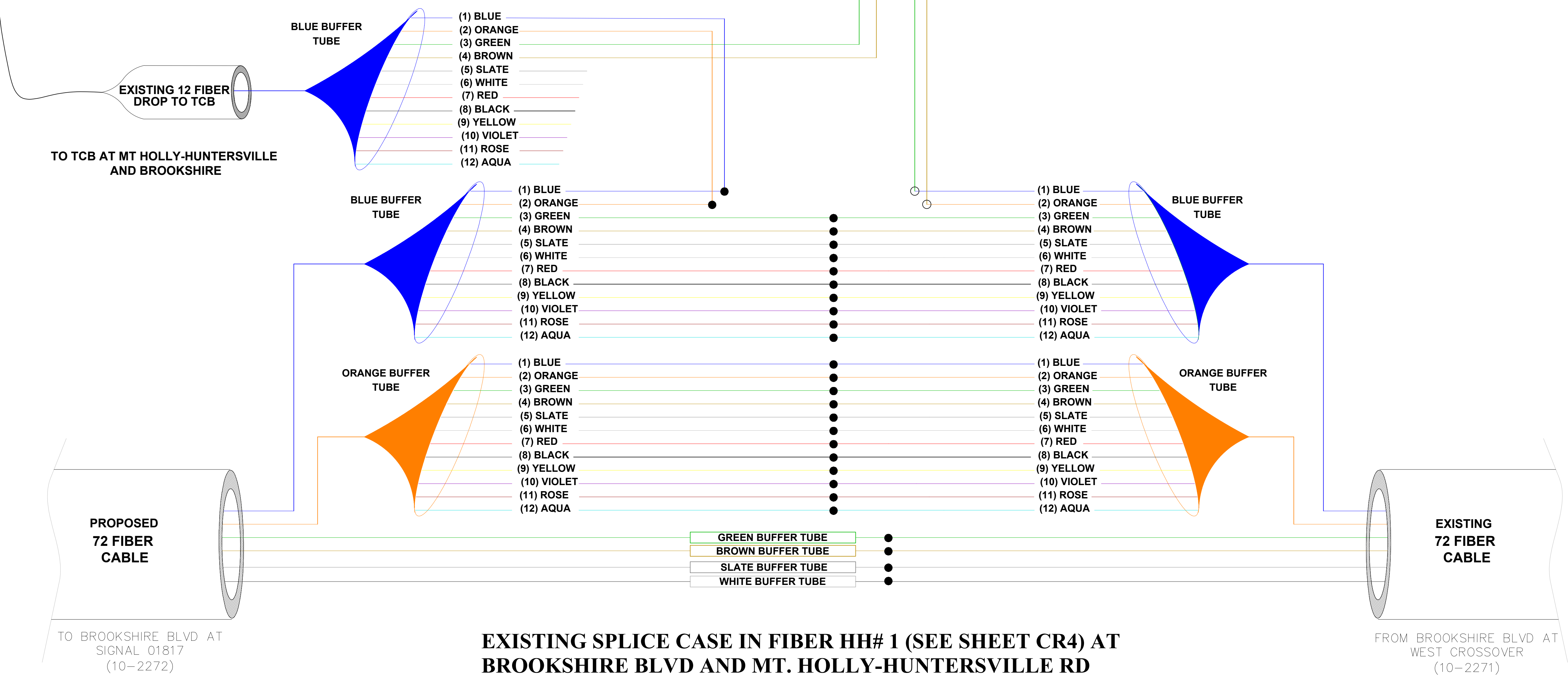


MODIFY EXISTING SPLICE ENCLOSURE IN EXISTING HANDHOLE (HH1) AT SOUTHEAST CORNER OF BROOKSHIRE BLVD AT MT. HOLLY-HUNTERSVILLE RD SIG. INV# 00941 (10-0850)



COLOR CODE TIA/EIA 598-A		LEGEND	
(1) BLUE	(7) RED	○ EXISTING SPLICE	□ BUFFER TUBE
(2) ORANGE	(8) BLACK	● NEW SPLICE	
(3) GREEN	(9) YELLOW		
(4) BROWN	(10) VIOLET		
(5) SLATE	(11) ROSE		
(6) WHITE	(12) AQUA		

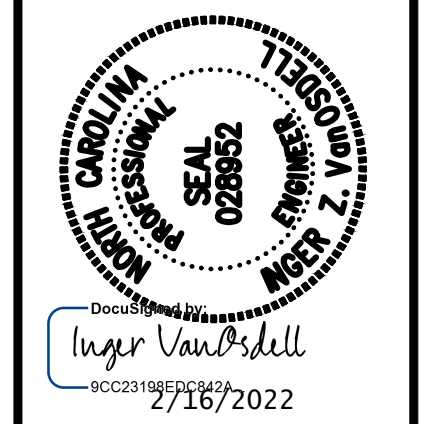
NOTE: EXISTING 72 SMFO CABLE BETWEEN EXISTING HH1 AND EXISTING HH6 IS TO BE ABANDONED AND PROPOSED 72 SMFO CABLE IS TO BE INSTALLED OUTSIDE OF CONSTRUCTION ZONE.



PROJECT REFERENCE NO.
I-5973
SHEET NO.
SCP3A

Plans Prepared By:
Kimley»Horn
NC License #F-0102
421 Fayetteville Street, Suite 600
Raleigh, NC 27601
919-677-2000

NO.	DATE	BY	DESCRIPTION



DOCUMENT NOT CONSIDERED FINAL UNLESS ALL SIGNATURES COMPLETED

COORDINATOR	SCALE	DATE
JOB NO.	1"=20'	2/16/2022
CAD FILE	PREPARED BY	CHECKED BY
MC Burke	IZ Vanosdell	09/20/21
APPROVED BY	DATE	
IZ Vanosdell		

BROOKSHIRE BOULEVARD CHARLOTTE, NC

SPLICE DETAILS

SHEET CR3A OF CR9