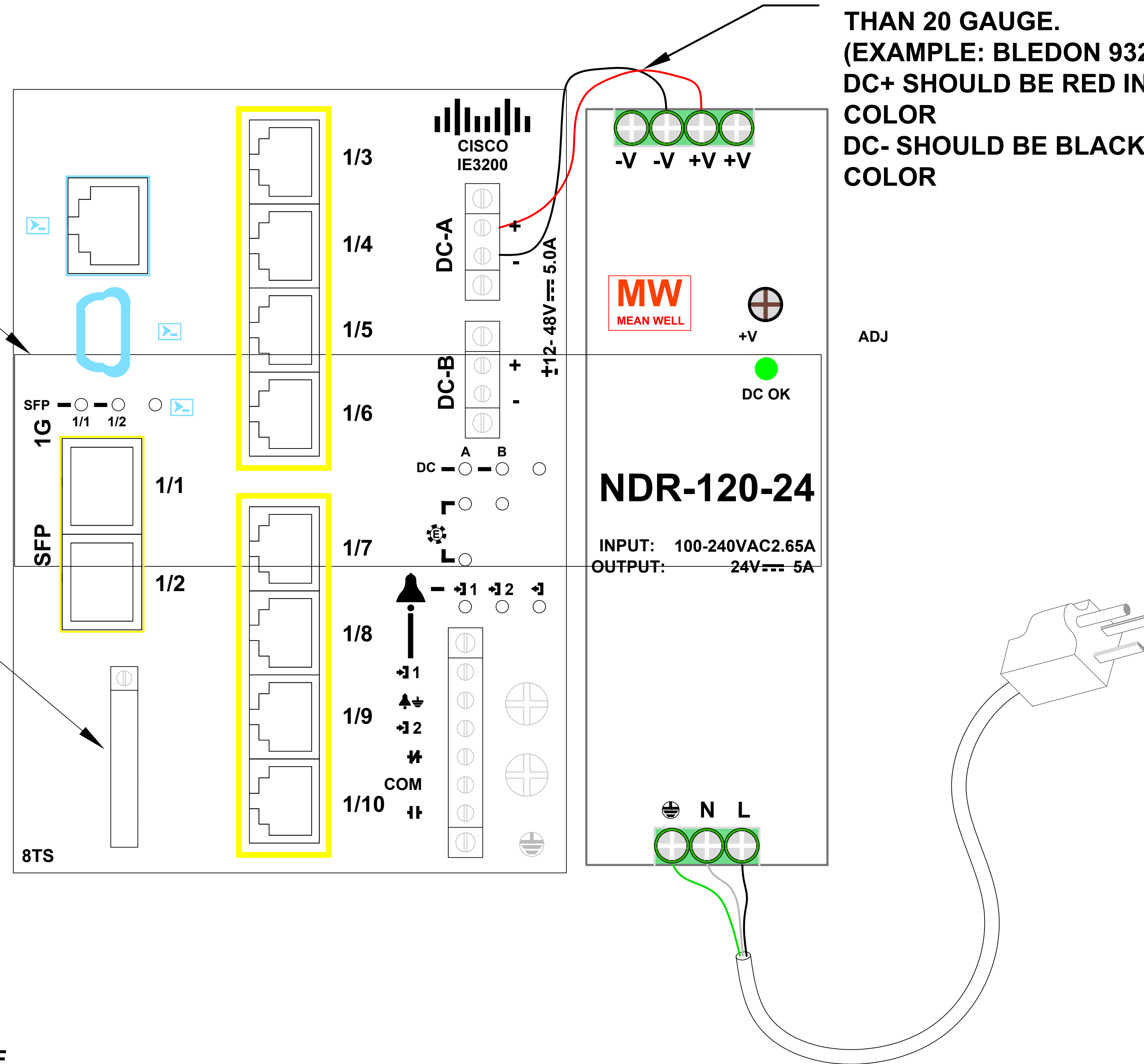


IE3200 ETHERNET SWITCH

DC POWER WIRES SHOULD BE NO SMALLER THAN 20 GAUGE.
(EXAMPLE: BLEDON 9320)
DC+ SHOULD BE RED IN COLOR
DC- SHOULD BE BLACK IN COLOR

DIN RAIL (TS-35/7.5) SHOULD BE CUT TO A LENGTH OF 5.25 INCHES

SD CARD WILL BE OWNER FURNISHED



NOTES:

1. ATTACH SWITCH AND POWER SUPPLY TO DIN RAIL.
2. CONNECT RED WIRE (#20 AWG) FROM +V OF POWER SUPPLY TO +DC ON SWITCH.
3. CONNECT BLACK WIRE (#20 AWG) FROM -V OF POWER SUPPLY TO -DC OF SWITCH.
4. CONNECT GREEN WIRE FROM POWER CORD TO GROUND OF POWER SUPPLY.
5. CONNECT WHITE WIRE FROM POWER CORD TO NEUTRAL OF THE POWER SUPPLY.
6. CONNECT BLACK WIRE FROM POWER CORD TO LINE INPUT OF THE POWER SUPPLY.