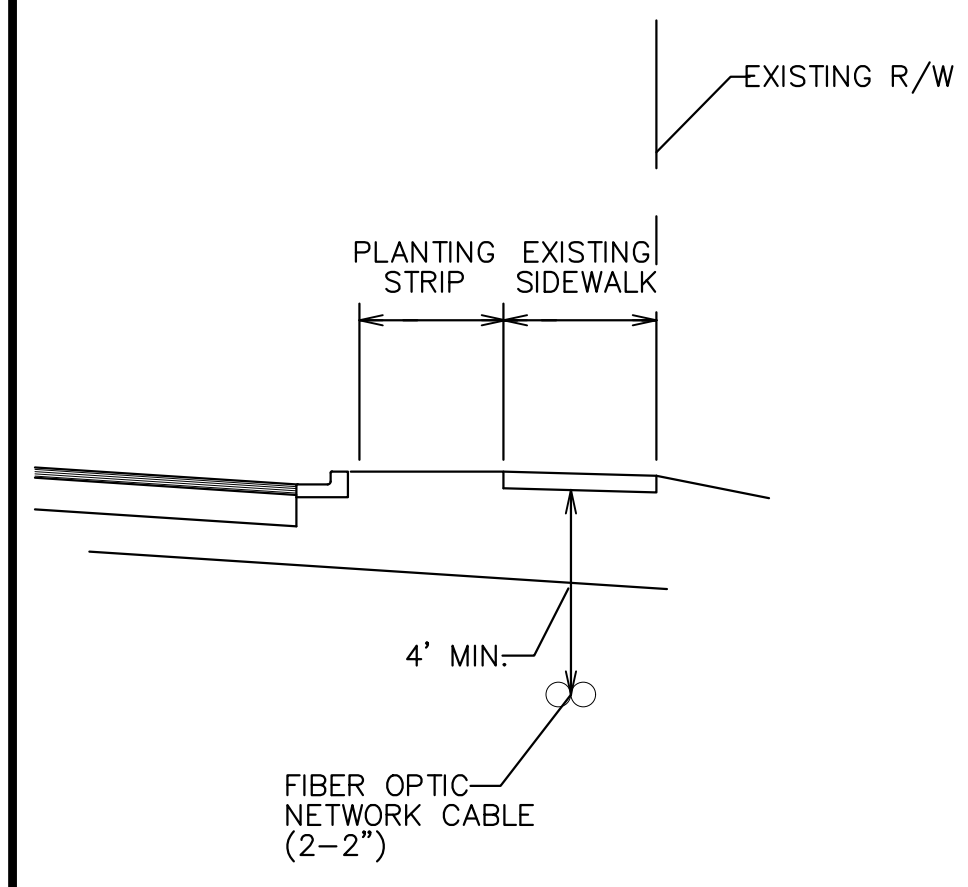
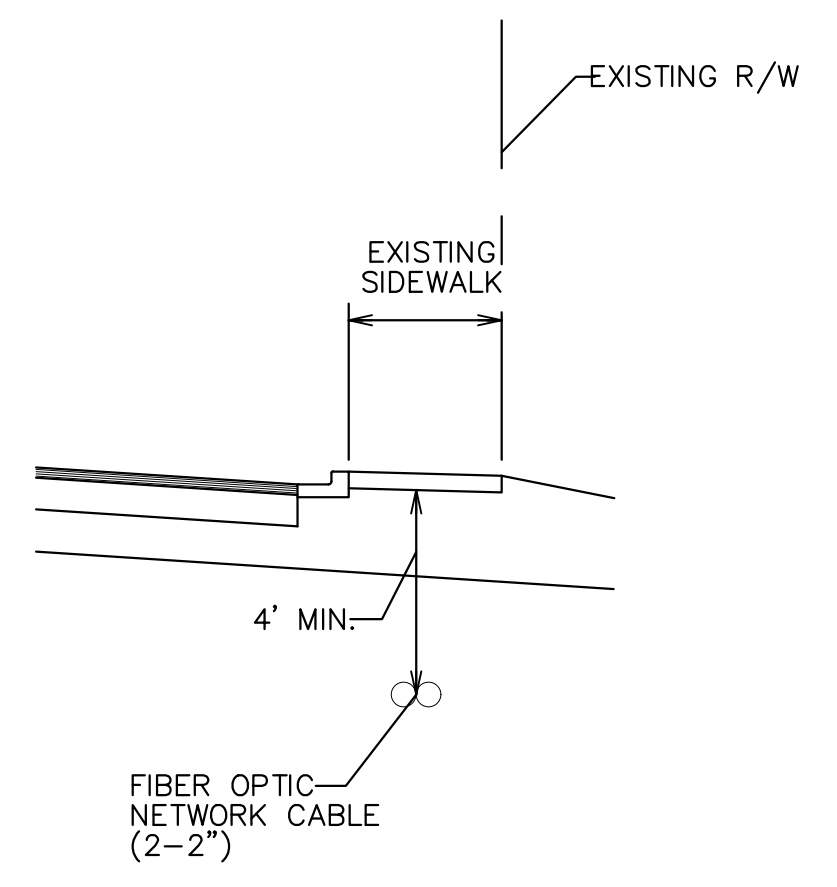


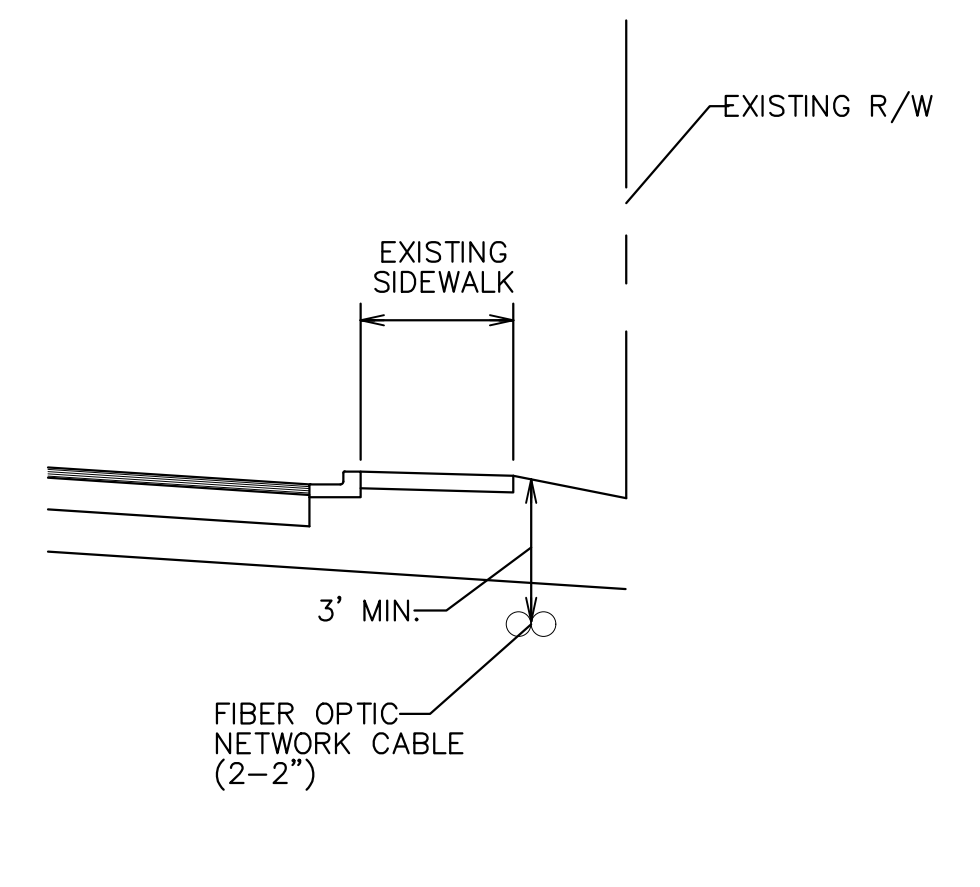
TRENCH AND DIRECTIONAL BORE DETAILS



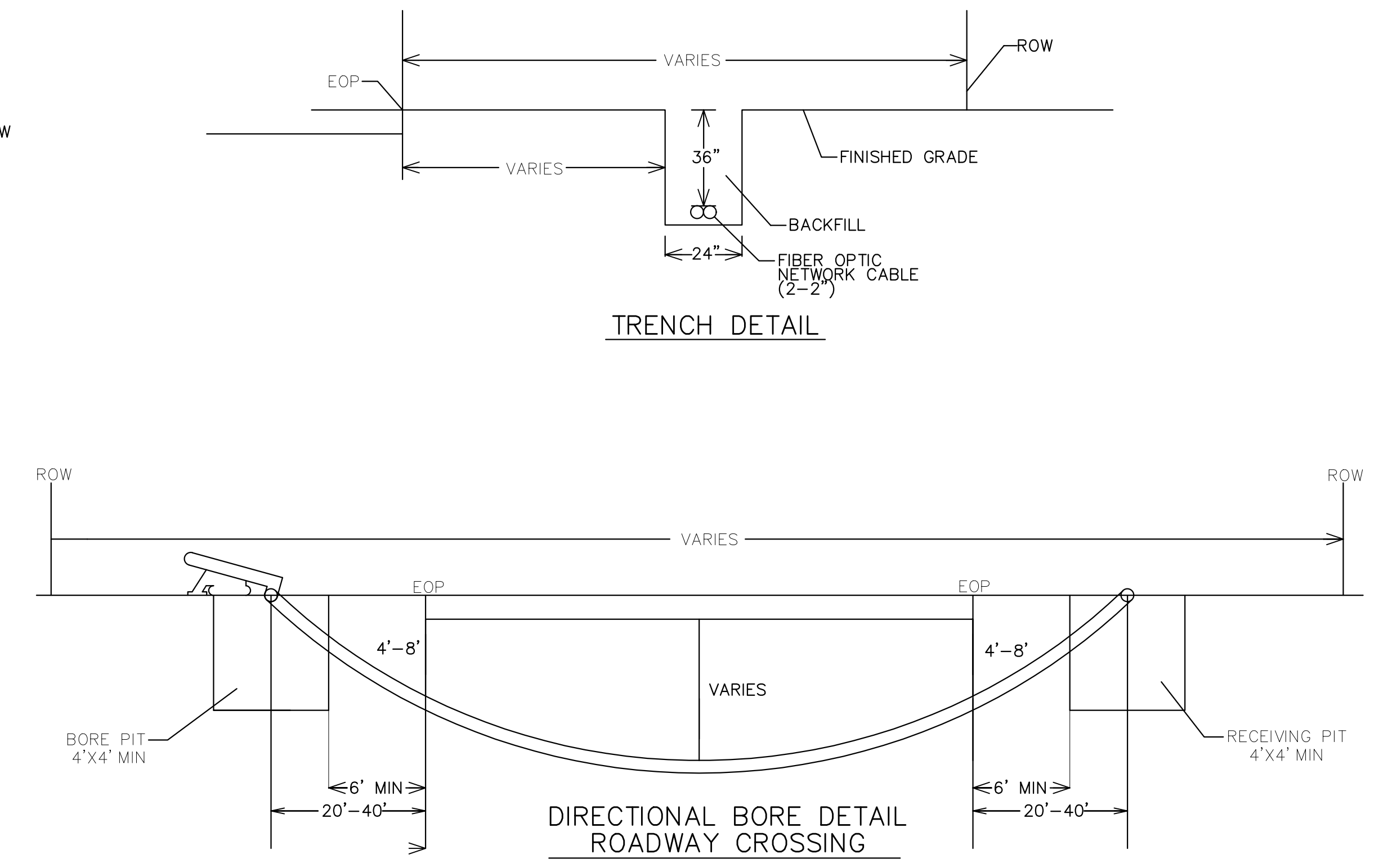
TYPICAL DIRECTIONAL BORE CROSS SECTION



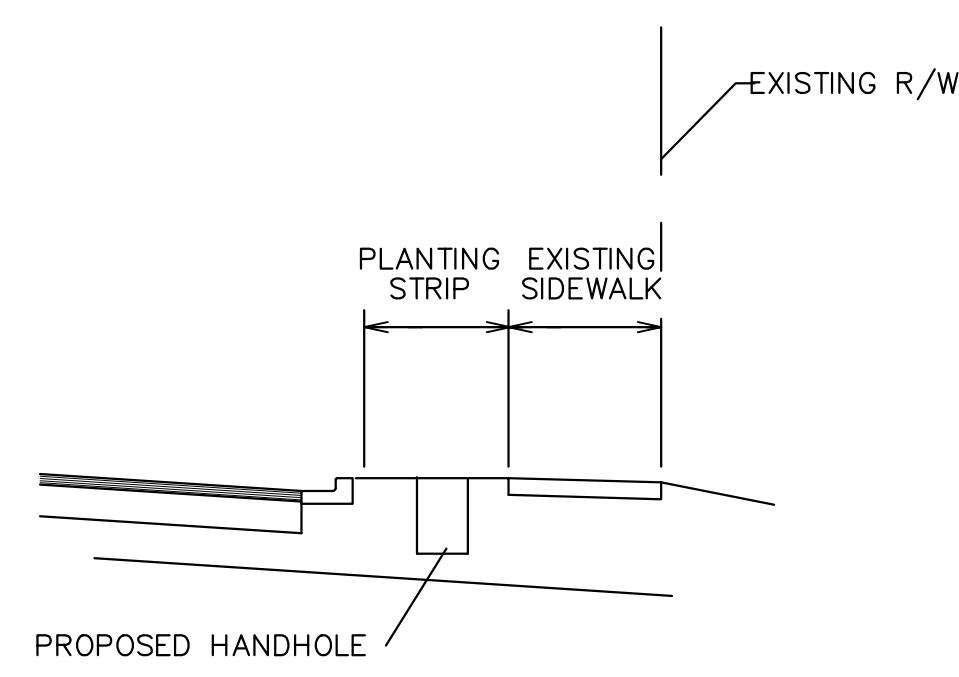
TYPICAL DIRECTIONAL BORE CROSS SECTION



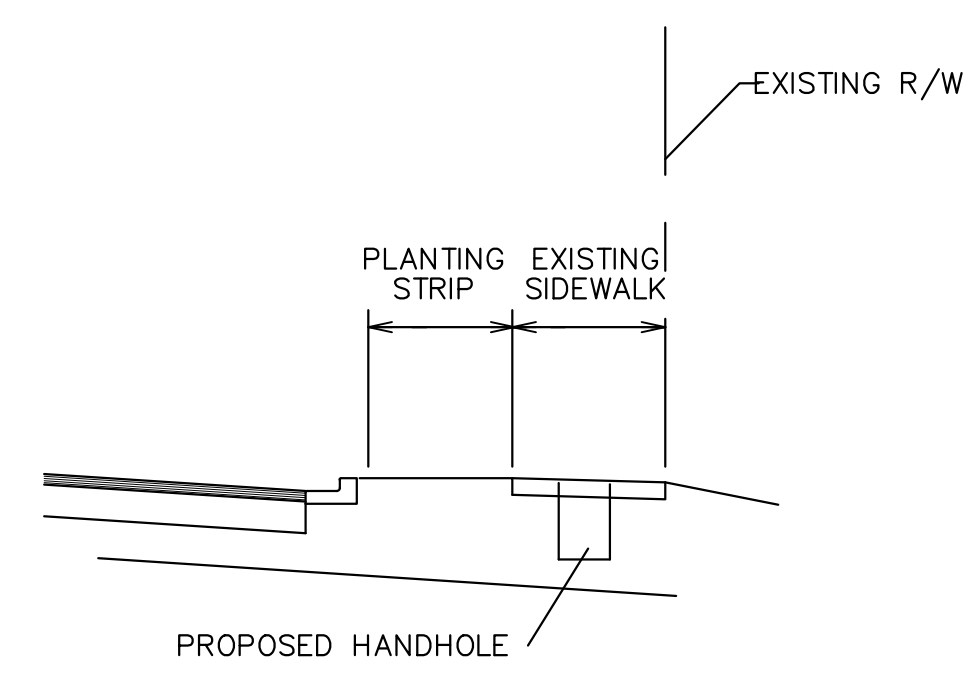
TYPICAL TRENCH CROSS SECTION



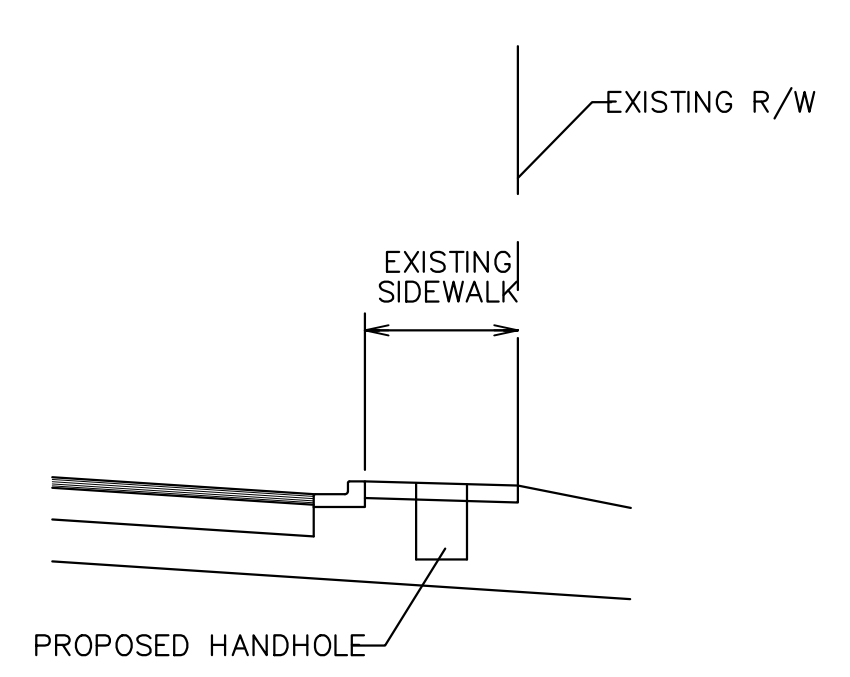
DIRECTIONAL BORE DETAIL ROADWAY CROSSING



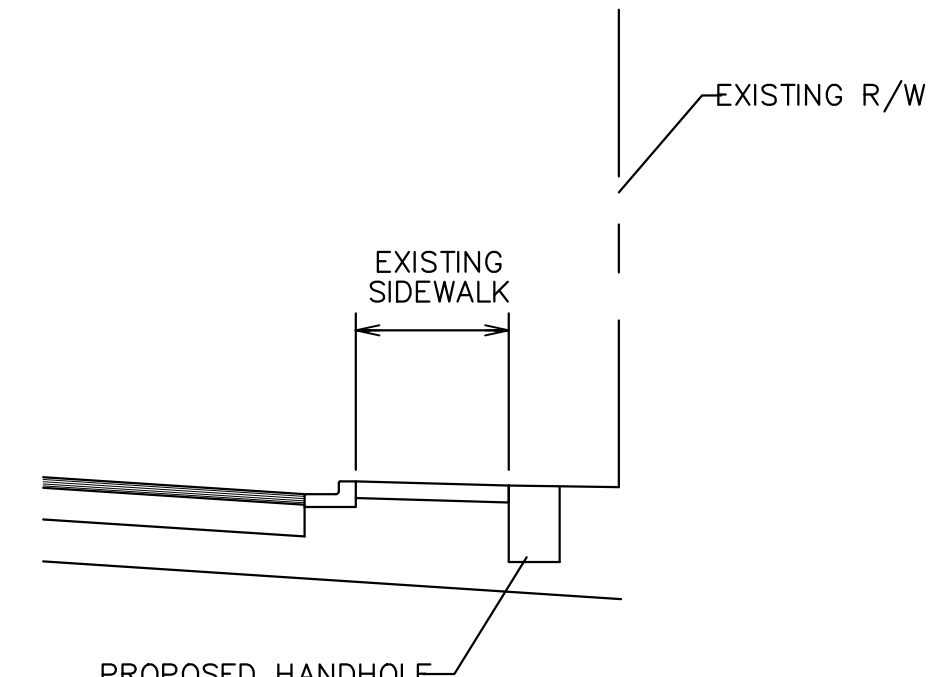
TYPICAL DIRECTIONAL BORE HANDHOLE CROSS SECTION



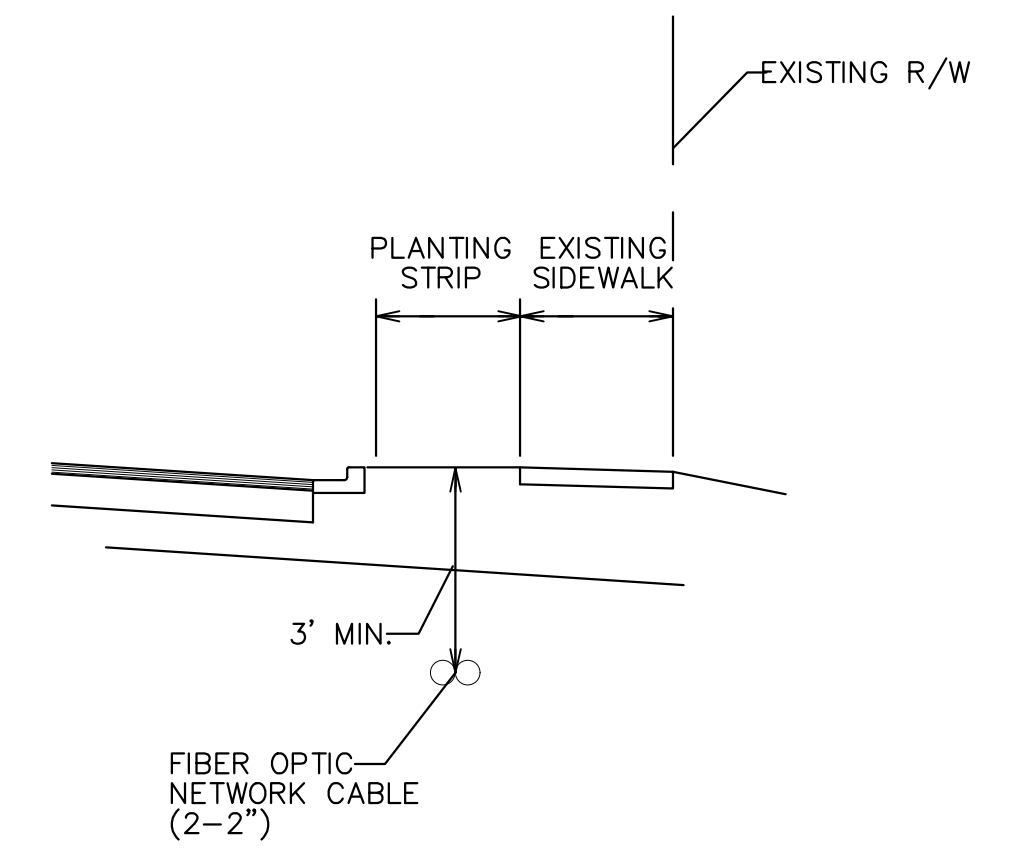
TYPICAL DIRECTIONAL BORE HANDHOLE CROSS SECTION



TYPICAL DIRECTIONAL BORE HANDHOLE CROSS SECTION



TYPICAL TRENCH HANDHOLE CROSS SECTION



TYPICAL TRENCH CROSS SECTION

Plans Prepared By:
Kimley»Horn
 NC License #F-0102
 421 Fayetteville Street, Suite 600
 Raleigh, NC 27601
 919-677-2000

NO.	DATE	BY	DESCRIPTION

CDOT STANDARD DETAIL
 CONTRACTOR TO ENSURE
 DETAIL IS CURRENT
 AT TIME OF CONSTRUCTION

DOCUMENT NOT CONSIDERED
 FINAL UNLESS ALL
 SIGNATURES COMPLETED

CDOT FILE NO. / JOB NO.	SCALE	CAD FILE
MC Burke / PREPARED BY	IZ Vansedell / CHECKED BY	DATE
IZ Vansedell / APPROVED BY	09/20/21	

SHEET
CR2C
 OF
CR9

**BROOKSHIRE BOULEVARD
 CHARLOTTE, NC**

TRENCH AND
 DIRECTIONAL BORE
 DETAILS