

| | |
|---------------------------|------------------------|
| MFG _____ | MFG. DATE: MM/YY _____ |
| SHAFT D/T/L/Y _____ | _____ |
| ARM-A D/T/L/Y _____ | _____ |
| ARM-B D/T/L/Y _____ | _____ |
| A.B. DIA./B.C./L/Y _____ | _____ |
| NCDOT SIG. INV. NO. _____ | _____ |
| NCDOT POLE NO. _____ | _____ |

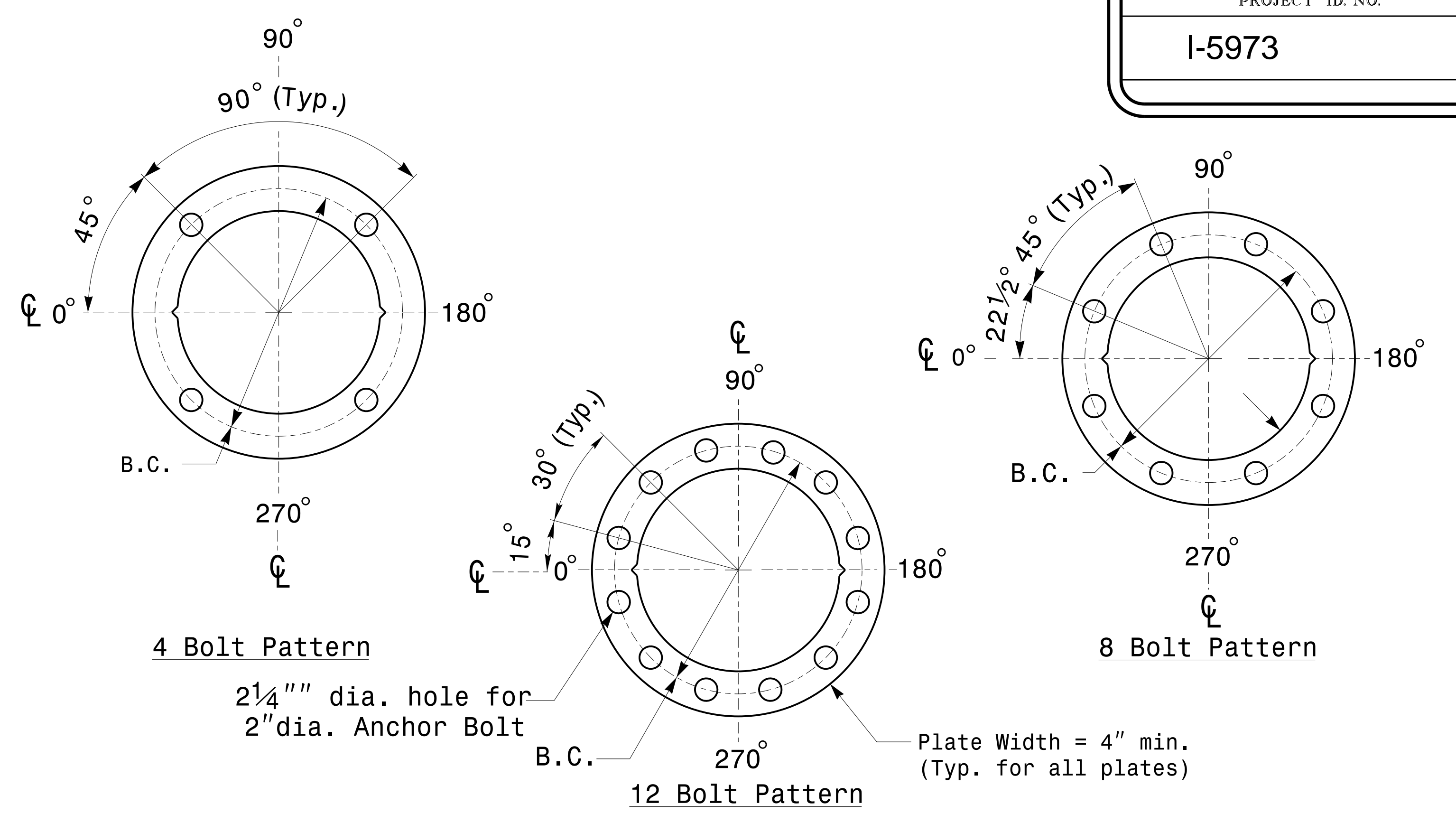
| | |
|---------------------------|------------------------|
| MFG _____ | MFG. DATE: MM/YY _____ |
| SECTION D/T/L/Y _____ | _____ |
| NCDOT SIG. INV. NO. _____ | _____ |
| NCDOT POLE NO. _____ | _____ |

Shaft I.D. Tag
(Provide on Shaft of Strain Poles and Mast Arm Poles Shaft)

Arm I.D. Tag
(Provide on each section of a multi-section mast arm.)

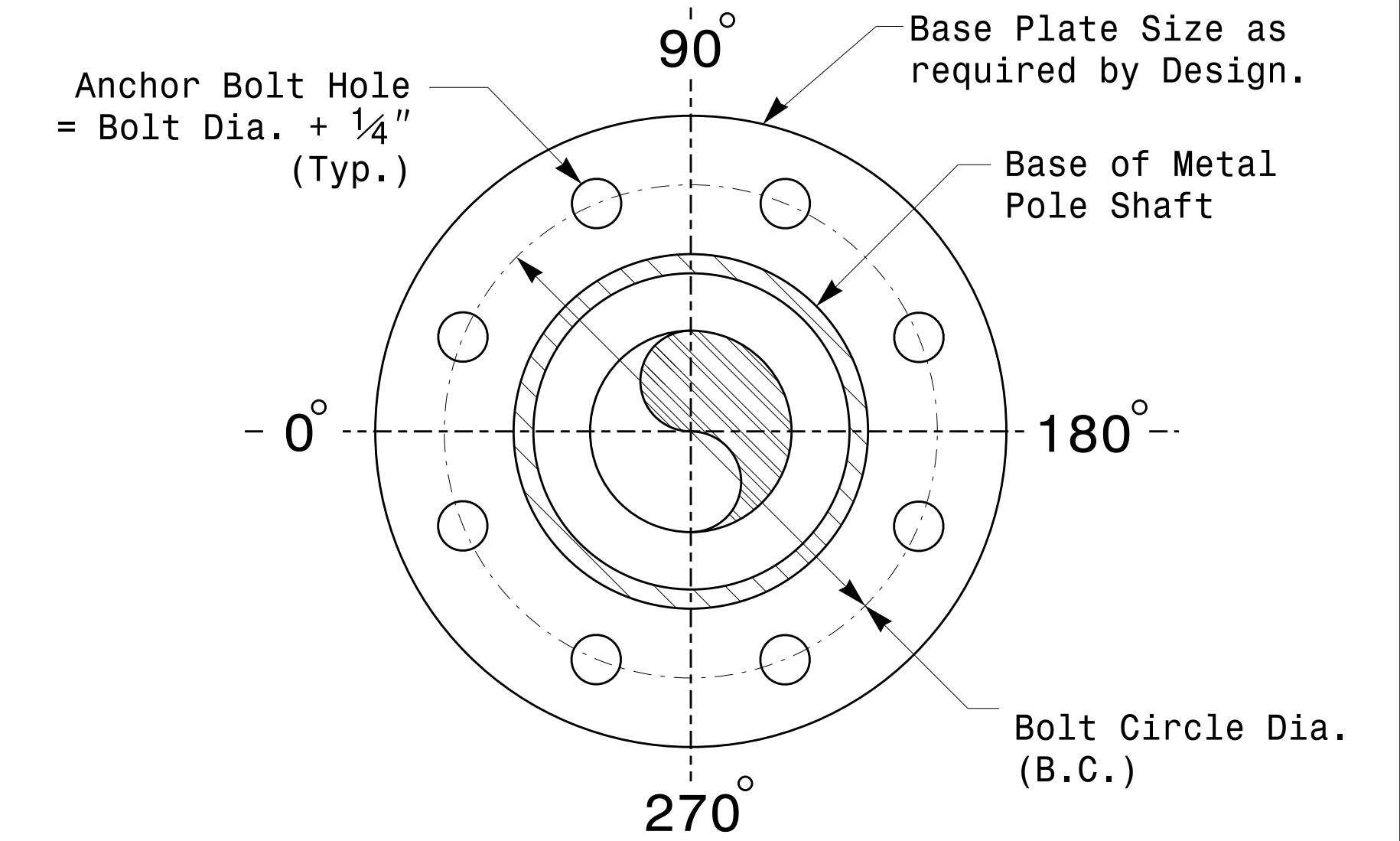
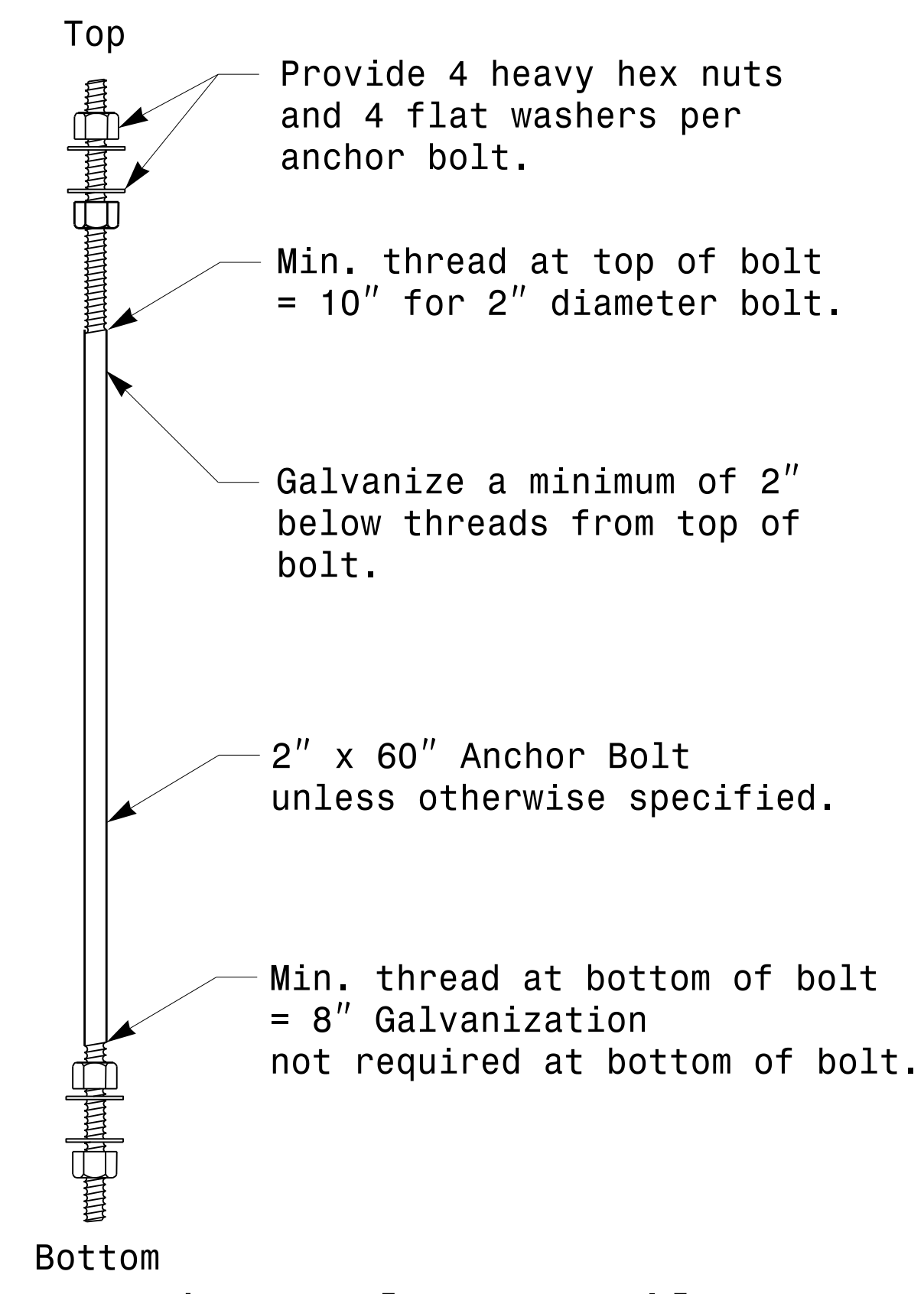
- Notes:**
- 1) D= Diameter, T= Thickness, L= Length, Y= Yield Strength
 - 2) A.B. = Anchor Bolt
 - 3) B.C. = Bolt Circle of Anchor Bolts
 - 4) If Custom Design, use "NCDOT STANDARD" line for Signal Inv. Number and pole I.D. number
 - 5) See drawing M3 and M4 for mounting positions of I.D. tags.

Identification Tag Details



Construct Templates and Plates from 1/4" min. thick Steel. Galvanizing is not required.

Base Plate Template and Anchor Bolt Lock Plate Details



Note: Base plate may be circular, octagonal, square or rectangular in shape.

Typical Base Plate Detail

| | | | | |
|---|--|----------------------------------|---|-------------------|
| <p>750 N. Greenfield Pkwy, Garner, NC 27529</p> | <p>Typical Fabrication Details For All Metal Poles</p> | | <p>SEAL</p> <p>DocuSigned by: Dinesh C. Sarkar 44E8E328</p> | |
| | <p>PLAN DATE: OCTOBER 2017</p> | <p>DESIGNED BY: C.F. ANDREWS</p> | | <p>REVISIONS</p> |
| | <p>PREPARED BY: N. BITTING</p> | <p>REVIEWED BY: D.C. SARKAR</p> | | <p>INIT. DATE</p> |

11-051-2017-08430 11-05004115 Signal&Sigs Design Section Eastern Region 11-05004115-0014 Sig.M2 Std. Fabrication Detail-1s-All Poles.dgn