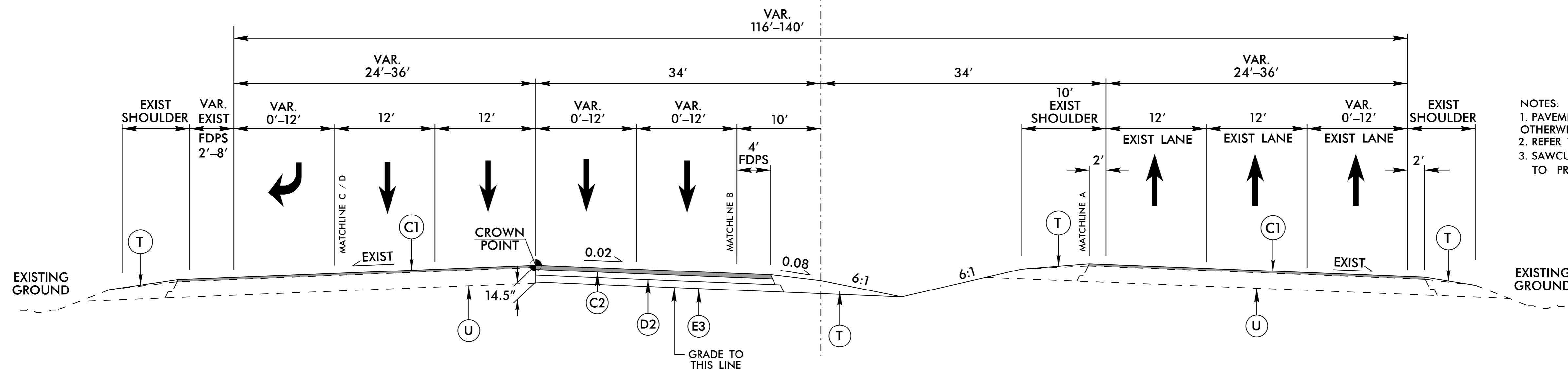


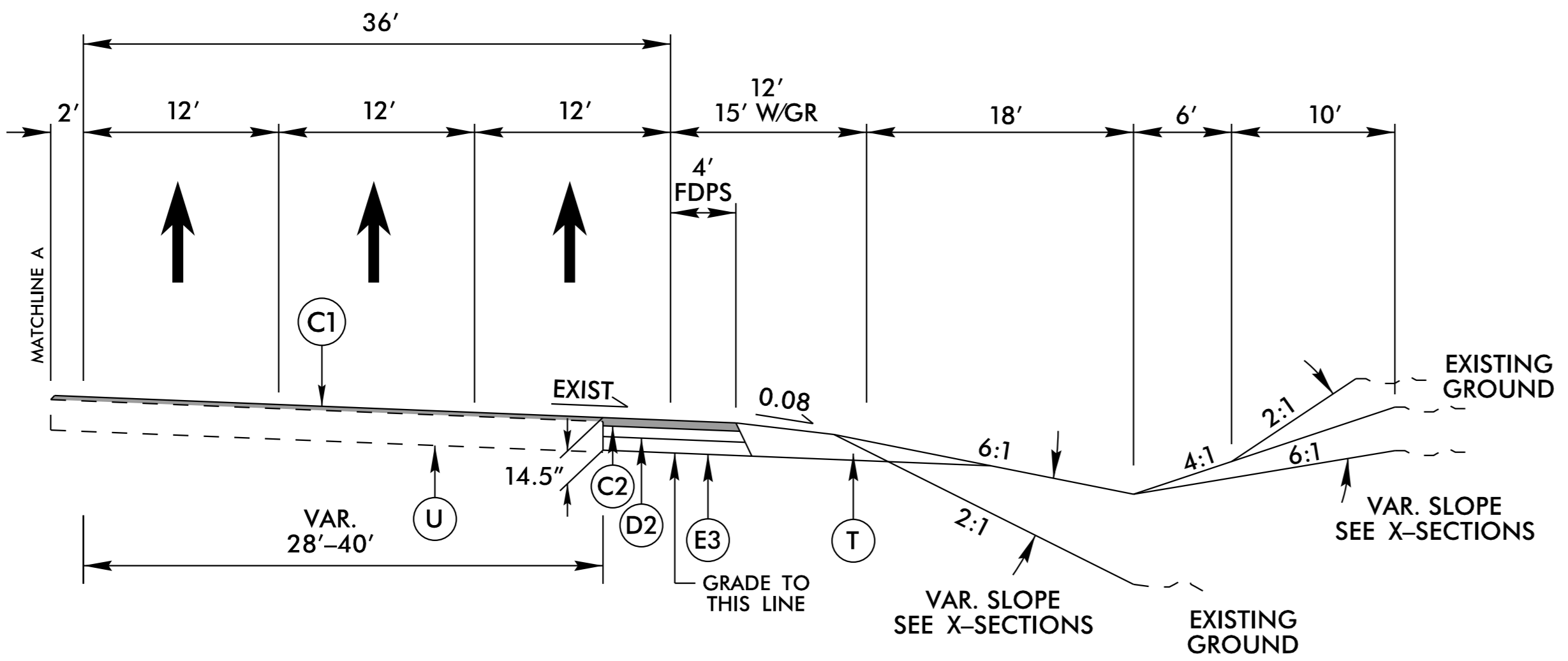
**DOCUMENT NOT CONSIDERED FINAL
UNLESS ALL SIGNATURES COMPLETED**

- NOTES:
 1. PAVEMENT EDGE SLOPES ARE 1:1 UNLESS OTHERWISE INDICATED.
 2. REFER TO PLAN SHEETS FOR VARIABLE WIDTHS.
 3. SAWCUT AND REMOVE EXISTING ASPHALT PAVEMENT TO PROVIDE 1' MIN. FULL DEPTH ASPHALT PAVEMENT.

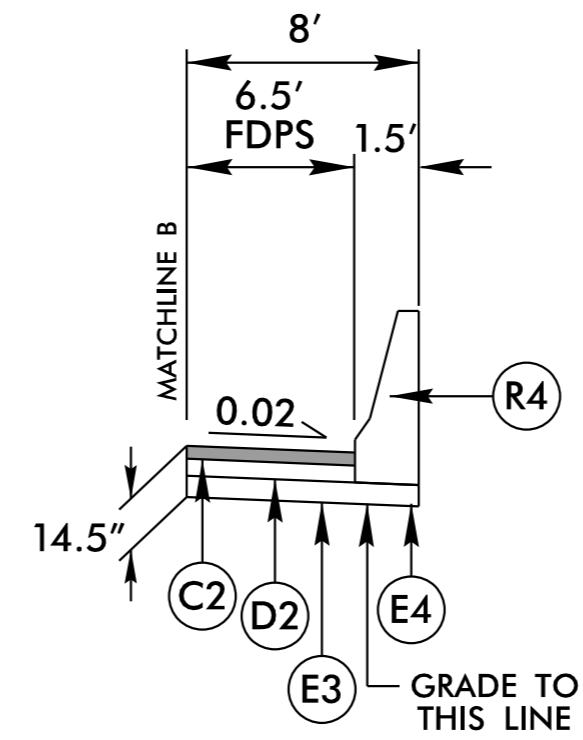
NC 16 (BROOKSHIRE BLVD)



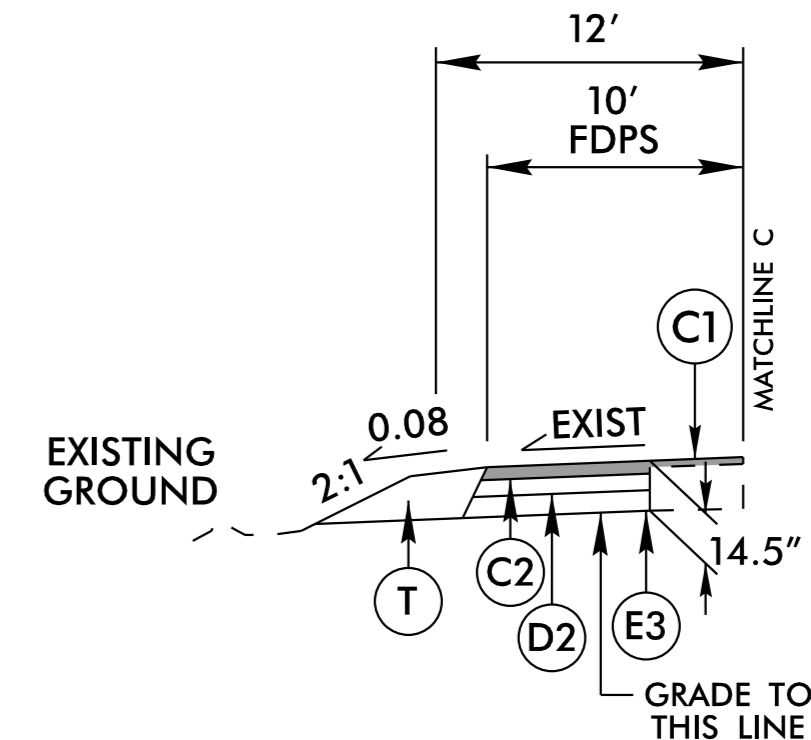
TYPICAL SECTION NO. 3
-L- STA 23+00.0 TO STA 45+21.00



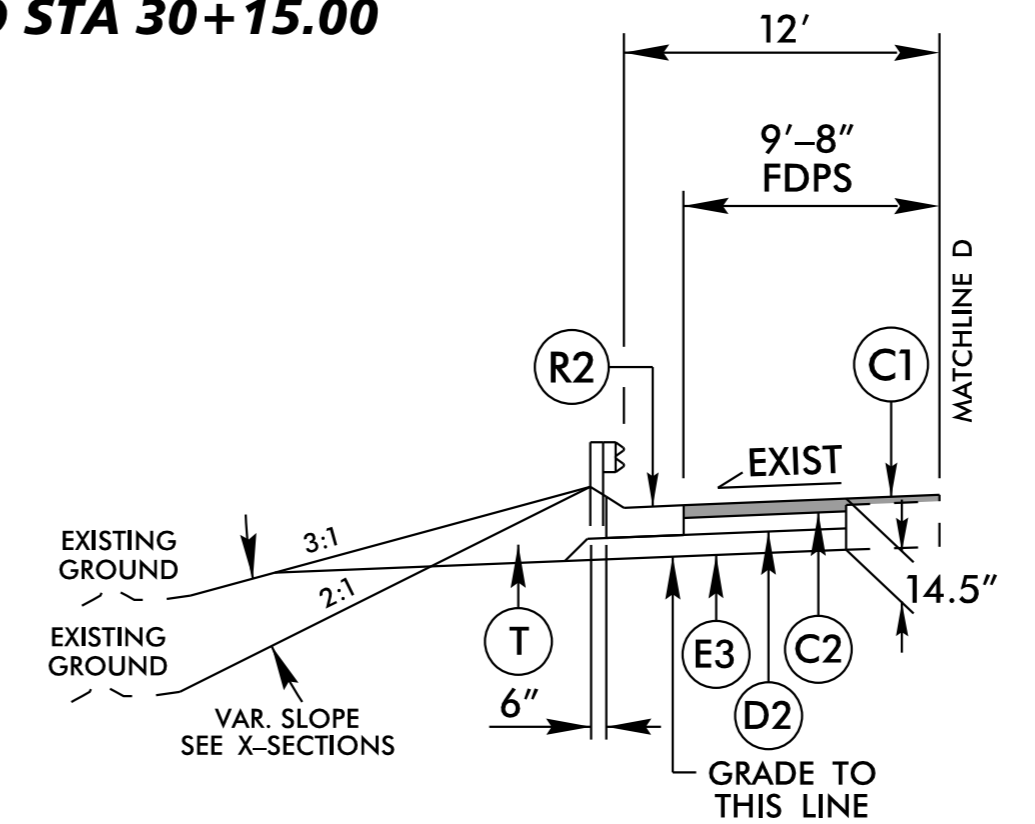
TYPICAL SECTION NO. 3A
-L- STA 23+00.00 TO 26+85.00



TYPICAL SECTION NO. 3B
-L- STA 28+52.00 TO STA 30+15.00



TYPICAL SECTION NO. 3C
-L- STA 34+10.00 TO STA 35+40.00



TYPICAL SECTION NO. 3D
-L- STA 40+82.60 TO STA 44+97.09

PRELIMINARY PAVEMENT SCHEDULE	
C1	1.5" S9.5C
C2	3" S9.5C
C3	VAR. S9.5C
D1	2.5" I19.0C
D2	4" I19.0C
D3	VAR. I19.0C
E1	4" B25.0C
E2	4.5" B25.0C
E3	7.5" B25.0C
E4	VAR. B25.0C
R1	2'-6" CURB AND GUTTER
R2	SHOULDER BERM GUTTER
R3	EXPRESSWAY GUTTER
R4	SINGLE FACED CONC. BARRIER
R5	CONCRETE MEDIAN BARRIER
T	EARTH MATERIAL
U	EXIST. PAVEMENT
V1	3" MILLING
V2	INCIDENTAL MILLING
W	VAR. WEDGING

REVISIONS

K:\CHL_PR\01036453 - 1-5973 (1-485 Brookshire)\Roadway\Pro\1-5973_rdy_typ.dgn

2/17/2022