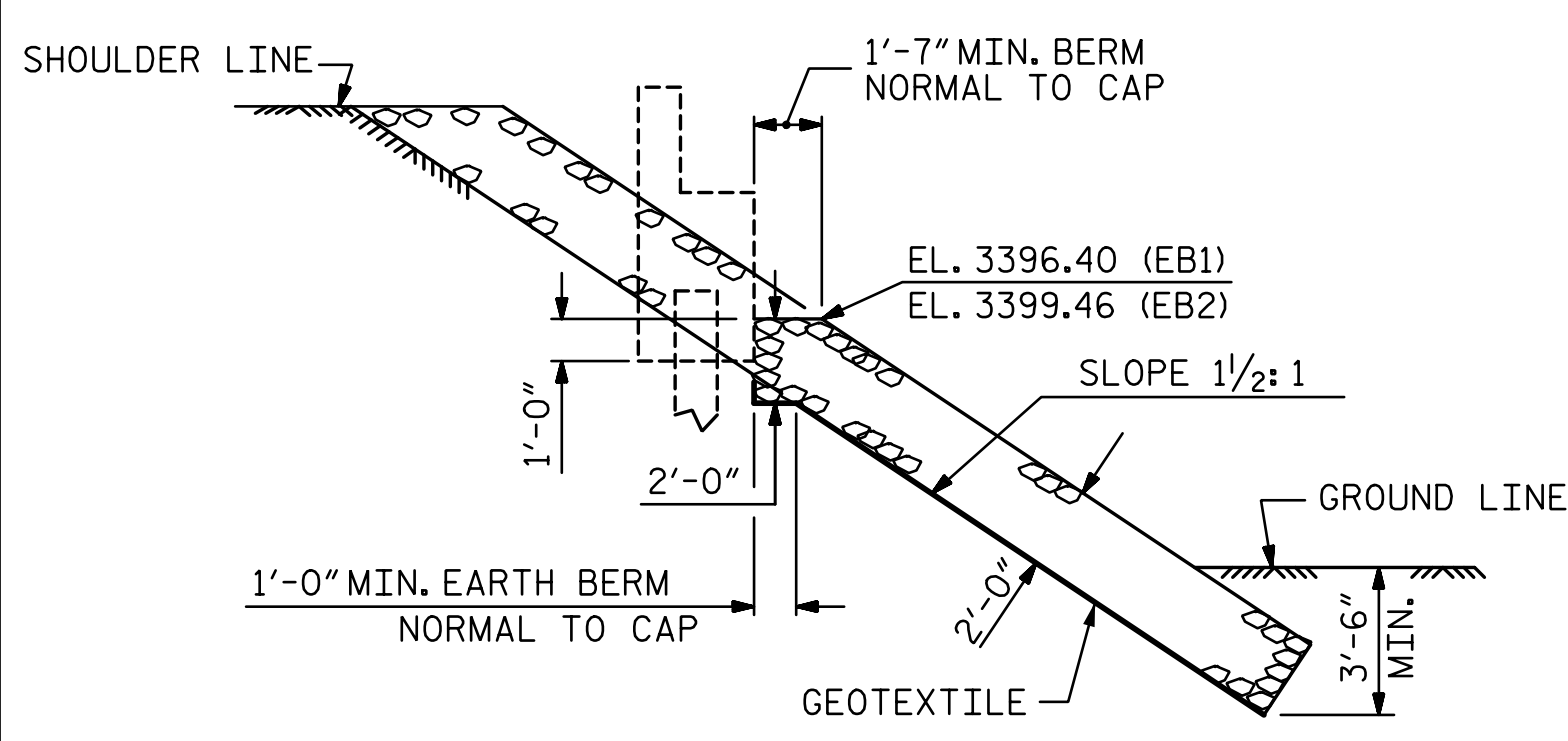


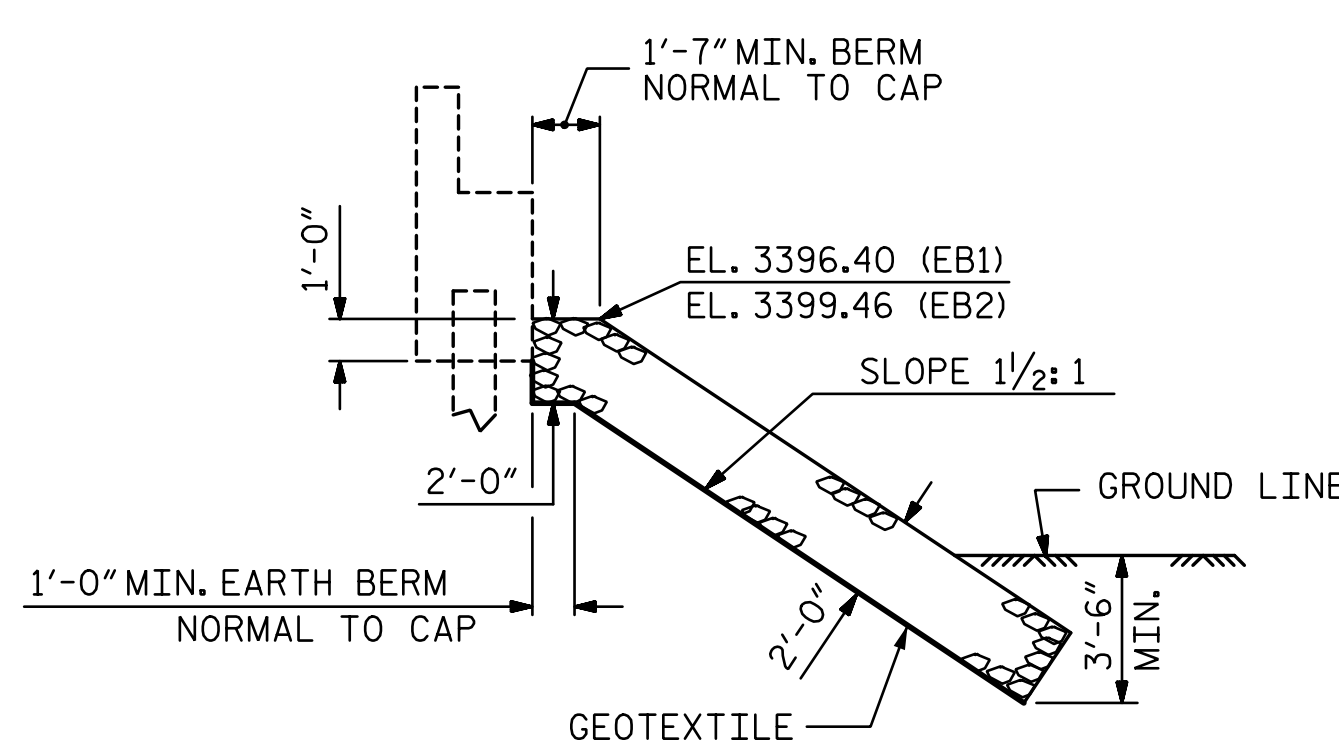
END BENT 1

END BENT 2

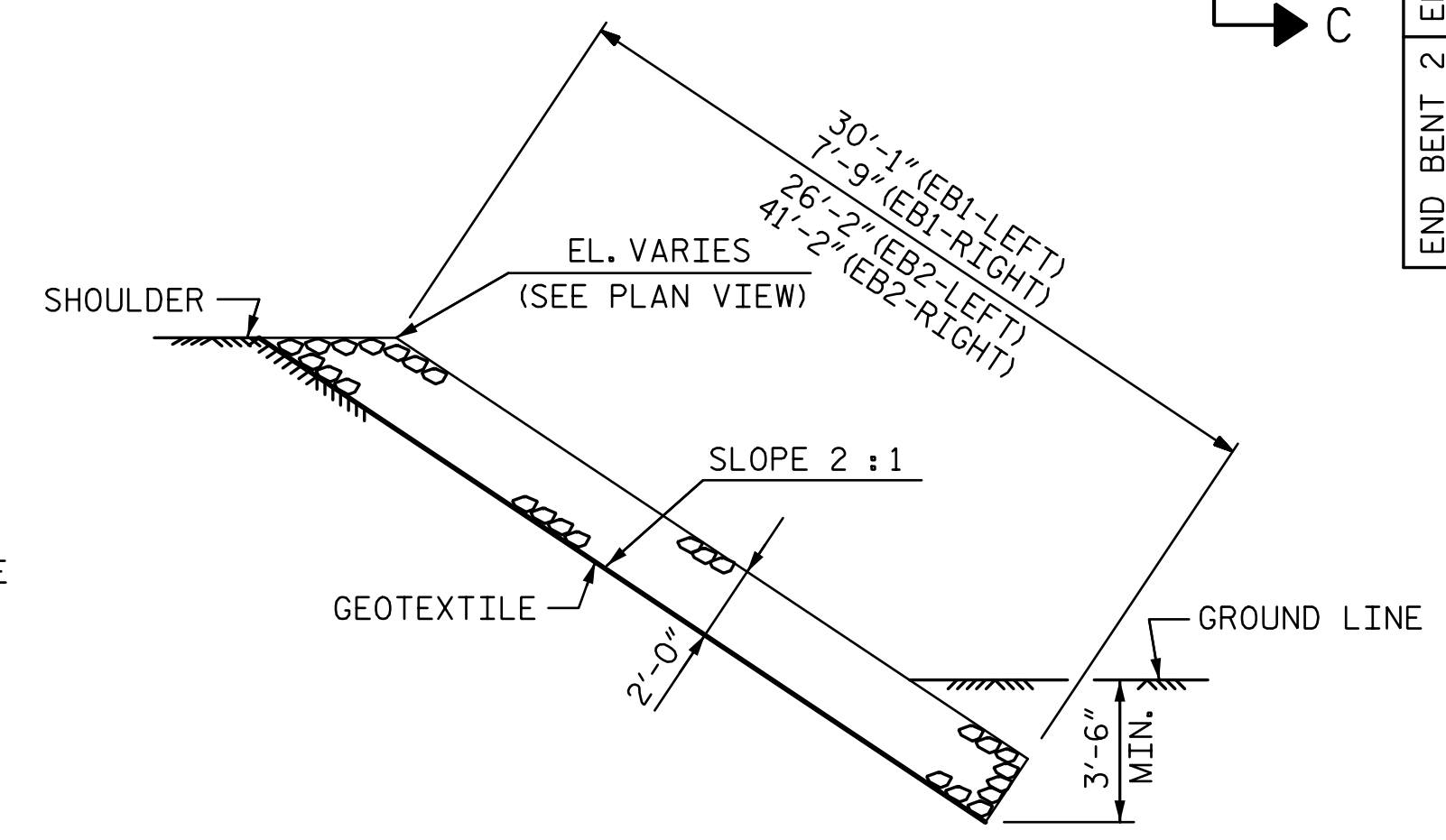
ESTIMATED QUANTITIES		
BRIDGE @ STA. 15+52.07 -L-	RIP RAP CLASS II (2'-0" THICK)	GEOTEXTILE FOR DRAINAGE
	TONS	SQUARE YARDS
END BENT 1	END BENT	230
	BANK STABILIZATION	204
TOTAL	390	434
END BENT 2	END BENT	355
	BANK STABILIZATION	149
TOTAL	453	504



SECTION H-H



SECTION C-C
BERM RIP RAPPED



SECTION C-C

PROJECT NO. BR-0029
 MACON COUNTY
 STATION: 15+52.07 -L-

STATE OF NORTH CAROLINA
 DEPARTMENT OF TRANSPORTATION
 RALEIGH

RIP RAP DETAILS

DRAWN BY : D. LOFLIN DATE : 09-2021
 CHECKED BY : A. PETER DATE : 09-2021
 DESIGN ENGINEER OF RECORD : VINCENT M. WU DATE : 10-2021

**DOCUMENT NOT CONSIDERED FINAL
 UNLESS ALL SIGNATURES COMPLETED**

DRMP
 4235 SOUTH STREAM BLVD.
 SUITE 150,
 CHARLOTTE, NC 28217
 (704) 332-2289
 NC LICENSE NO. C-2213 2/14/2022

REVISIONS					
NO.	BY:	DATE:	NO.	BY:	DATE:
1			3		
2			4		

SHEET NO.
 S-31
 TOTAL SHEETS
 33