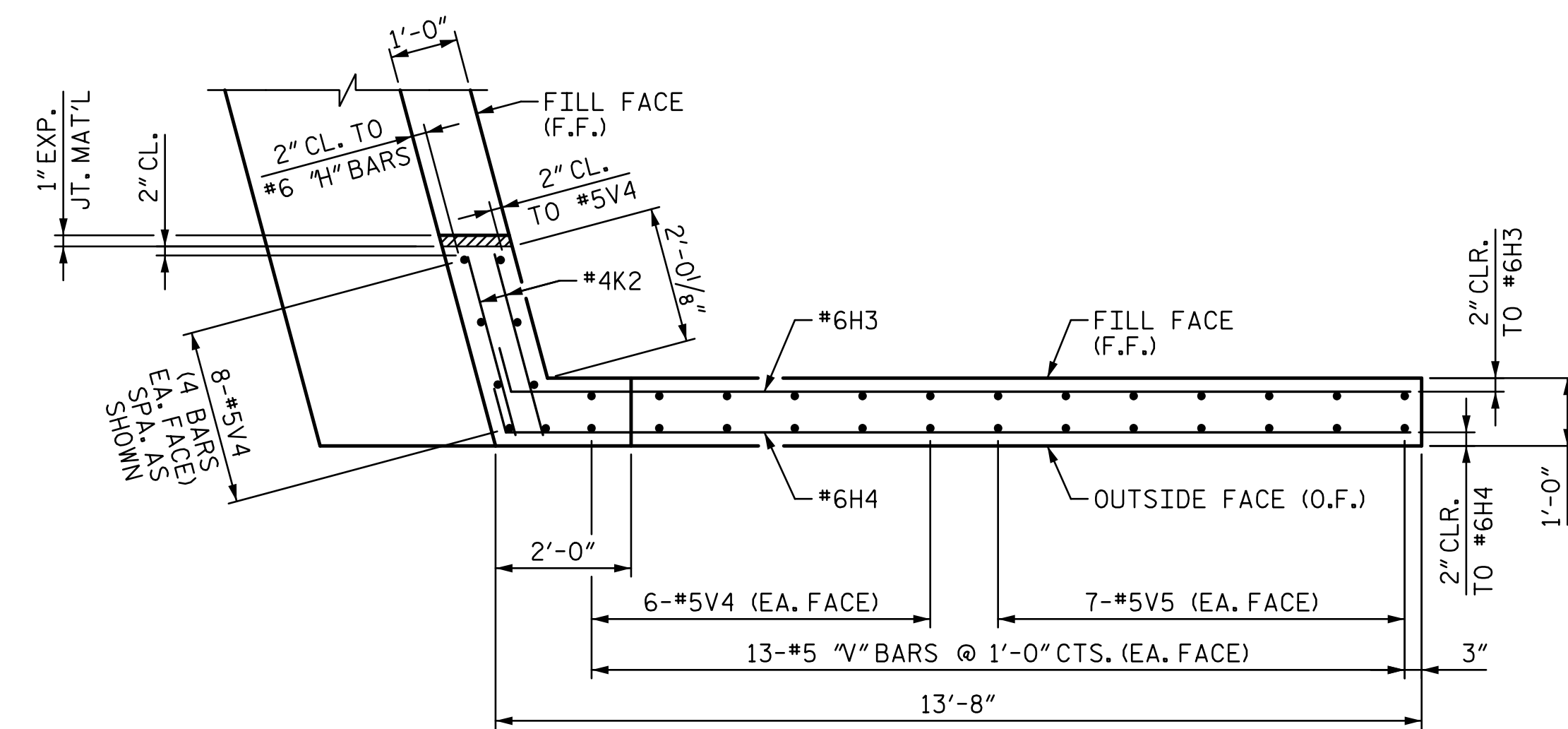
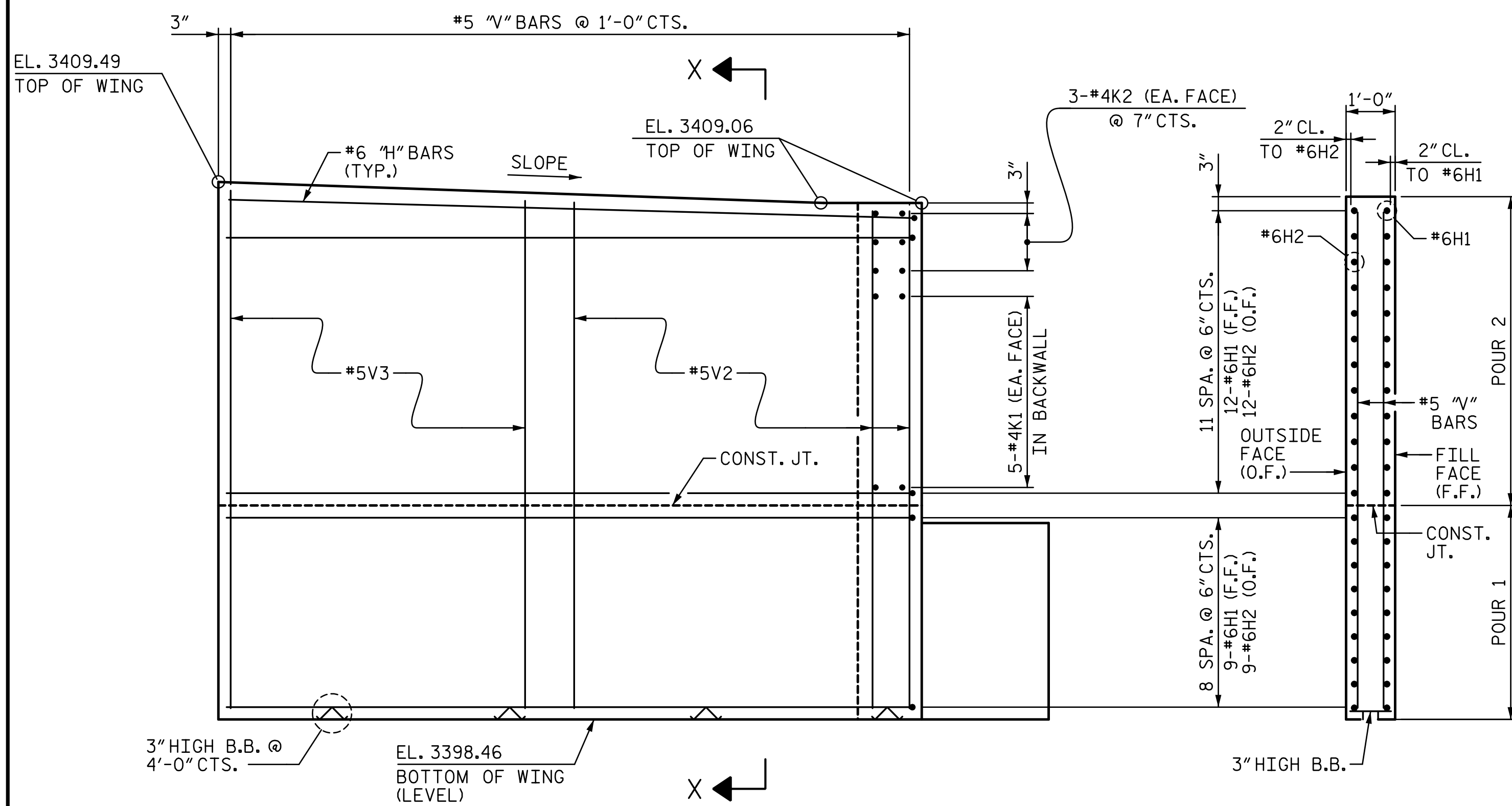


PLAN OF WING (W1)

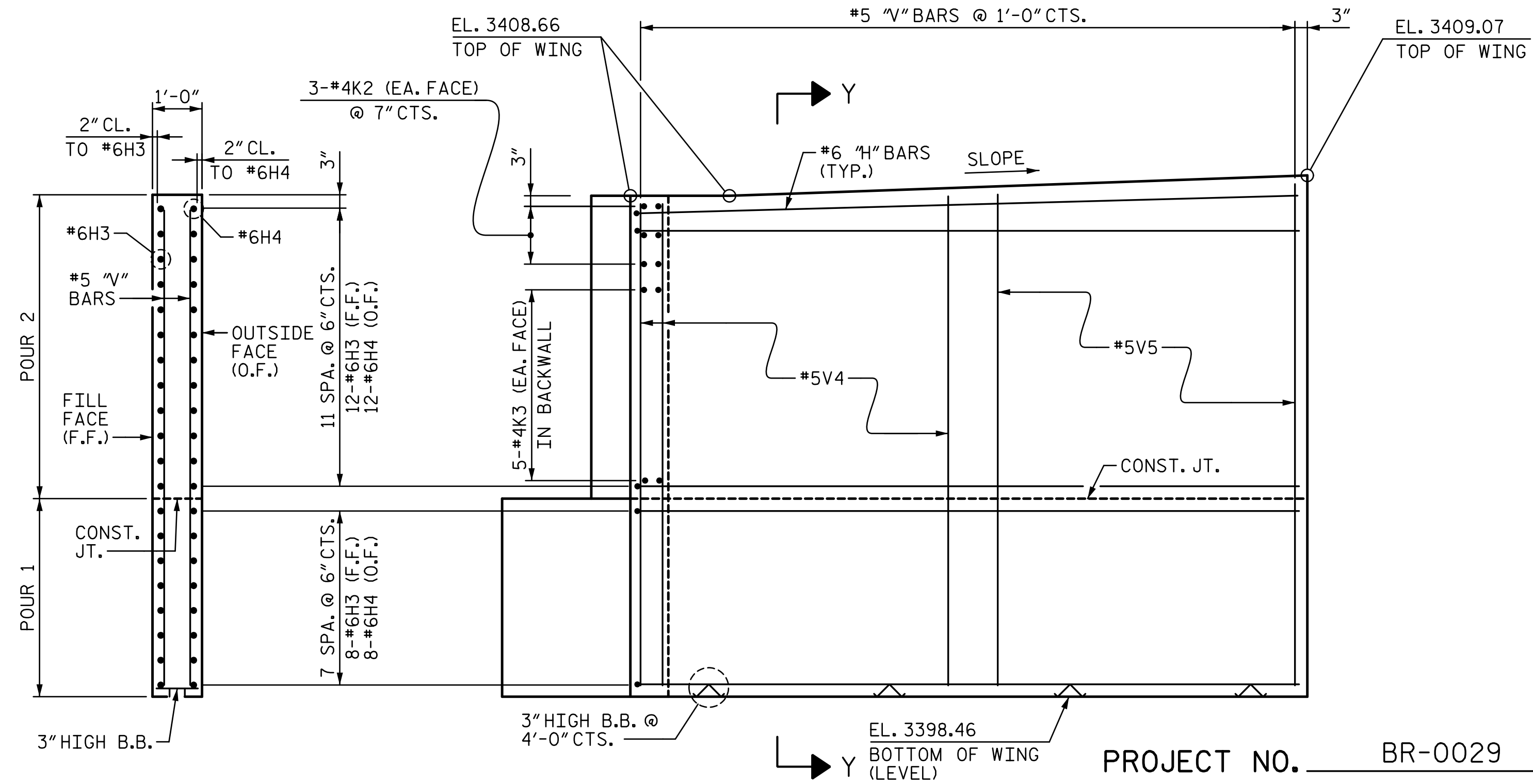


PLAN OF WING (W2)



ELEVATION OF WING (W1)  
(STAGE I CONSTRUCTION)

SECTION X-X  
(STAGE I CONSTRUCTION)



ELEVATION OF WING (W2)  
(STAGE II CONSTRUCTION)

SECTION Y-Y  
(STAGE II CONSTRUCTION)

PROJECT NO. BR-0029  
 MACON COUNTY  
 STATION: 15+52.07 -L-  
 SHEET 3 OF 4

DRAWN BY : D. LOFLIN DATE : 10-2021  
 CHECKED BY : V. WU DATE : 10-2021  
 DESIGN ENGINEER OF RECORD: VINCENT M. WU DATE : 10-2021

**DOCUMENT NOT CONSIDERED FINAL  
 UNLESS ALL SIGNATURES COMPLETED**

**DRMP**  
 4235 SOUTH STREAM BLVD.  
 SUITE 150,  
 CHARLOTTE, NC 28217  
 (704) 332-2289  
 NC LICENSE NO. C-2213



STATE OF NORTH CAROLINA  
 DEPARTMENT OF TRANSPORTATION  
 RALEIGH  
 SUBSTRUCTURE  
 END BENT 2  
 WINGWALLS

REVISIONS						SHEET NO.
NO.	BY:	DATE:	NO.	BY:	DATE:	S-29
1			3			TOTAL SHEETS
2			4			33