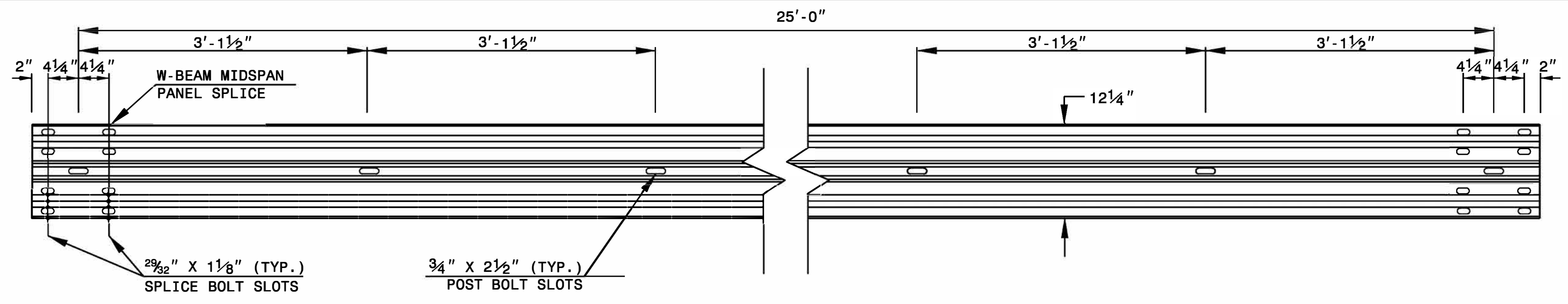


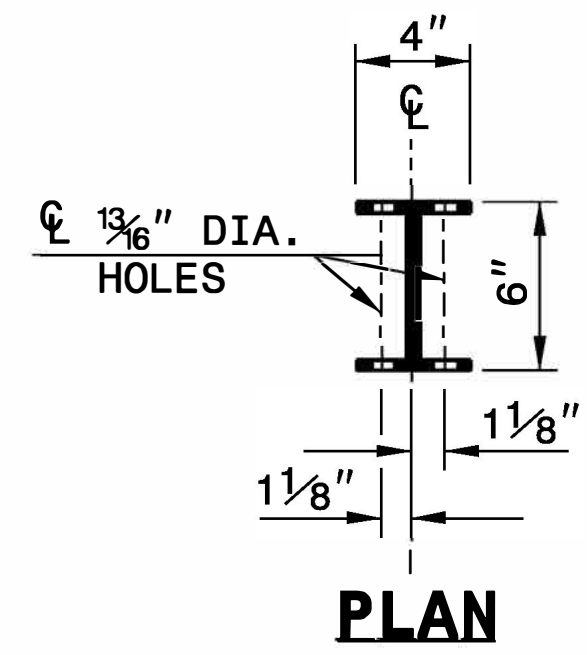
STATE OF NORTH CAROLINA  
DEPT. OF TRANSPORTATION  
DIVISION OF HIGHWAYS  
RALEIGH, N.C.

ROADWAY DETAIL DRAWING FOR  
**GUARDRAIL INSTALLATION**

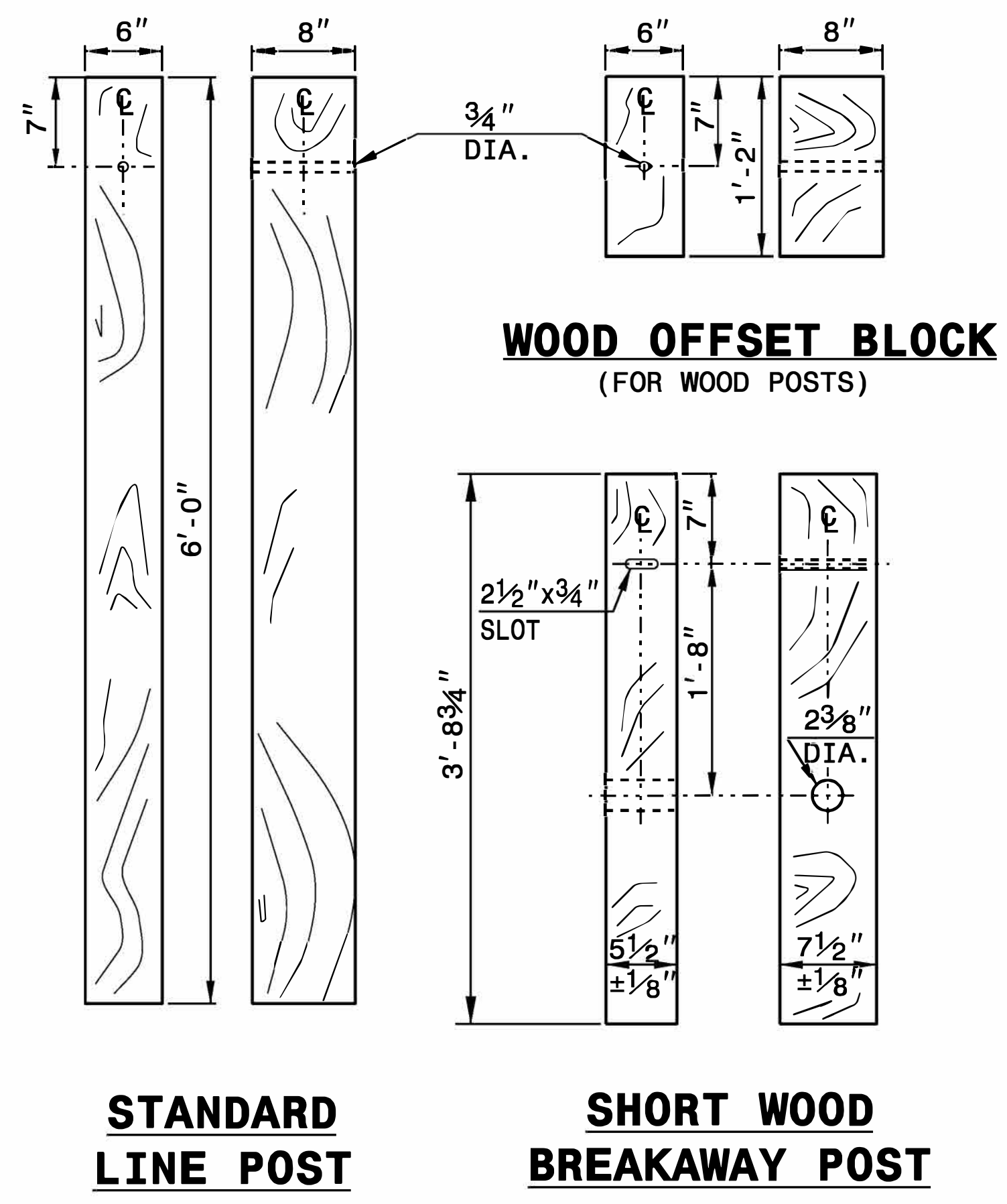
SHEET 6 OF 8  
**862D02**



**STANDARD W-BEAM GUARDRAIL**

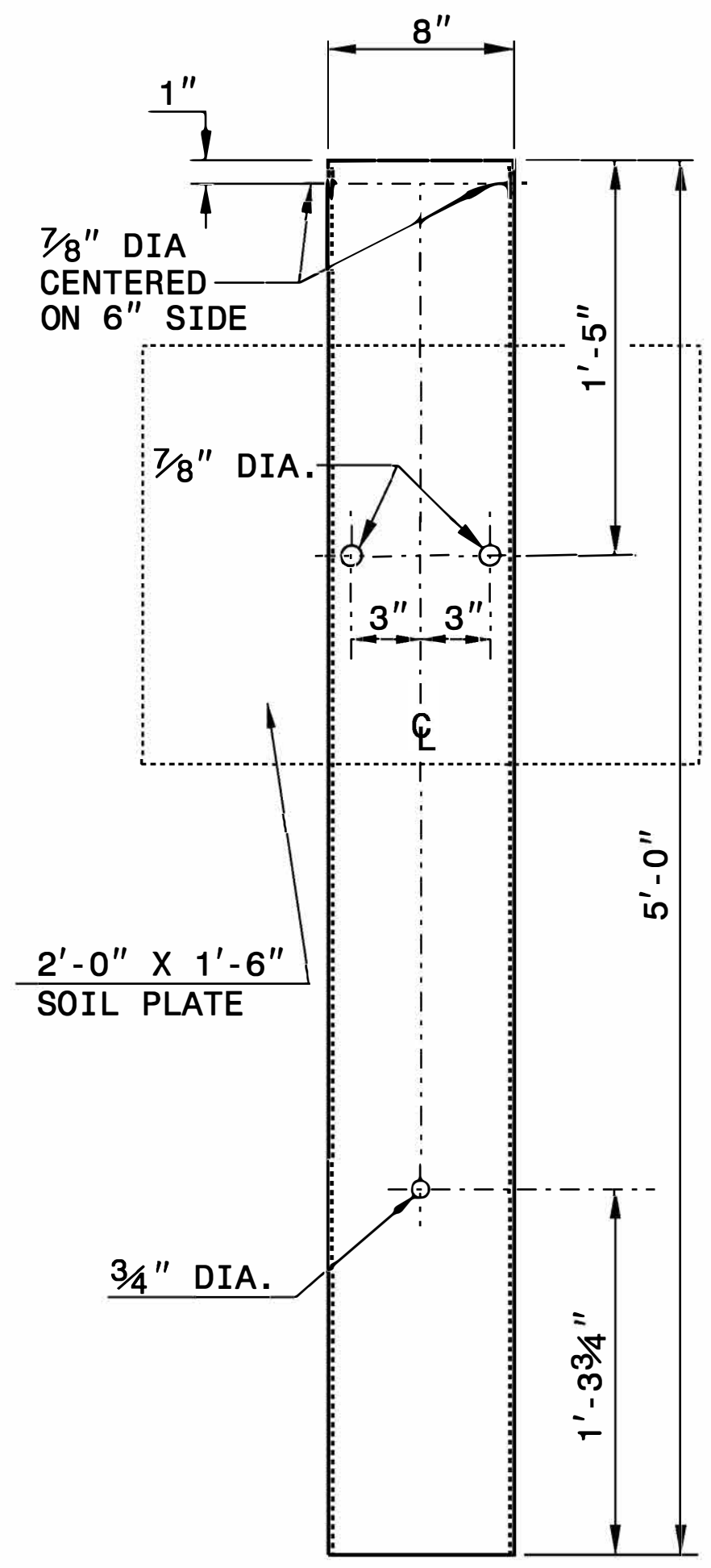


**PLAN**

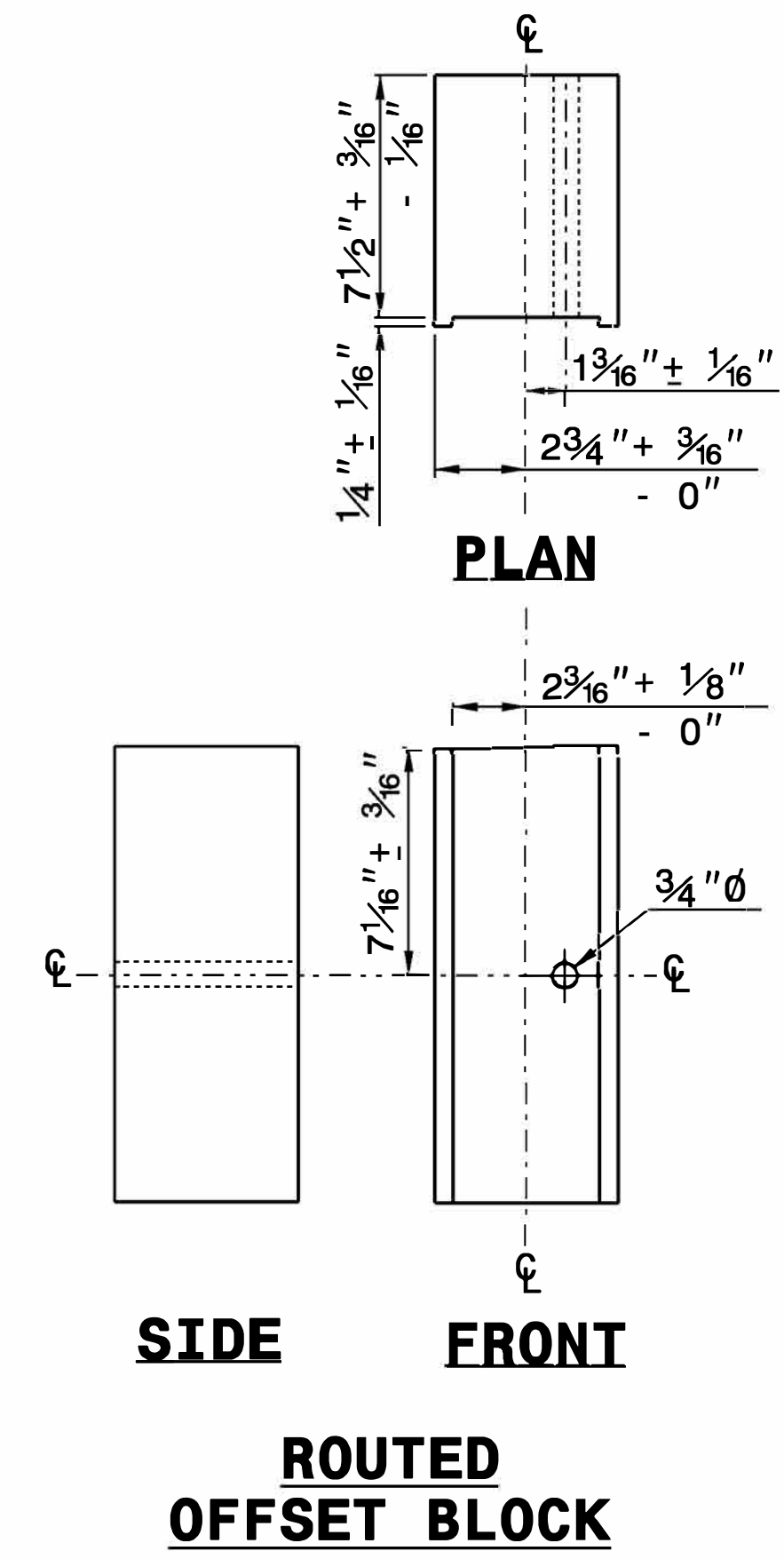


**STANDARD LINE POST**

**SHORT WOOD BREAKAWAY POST**



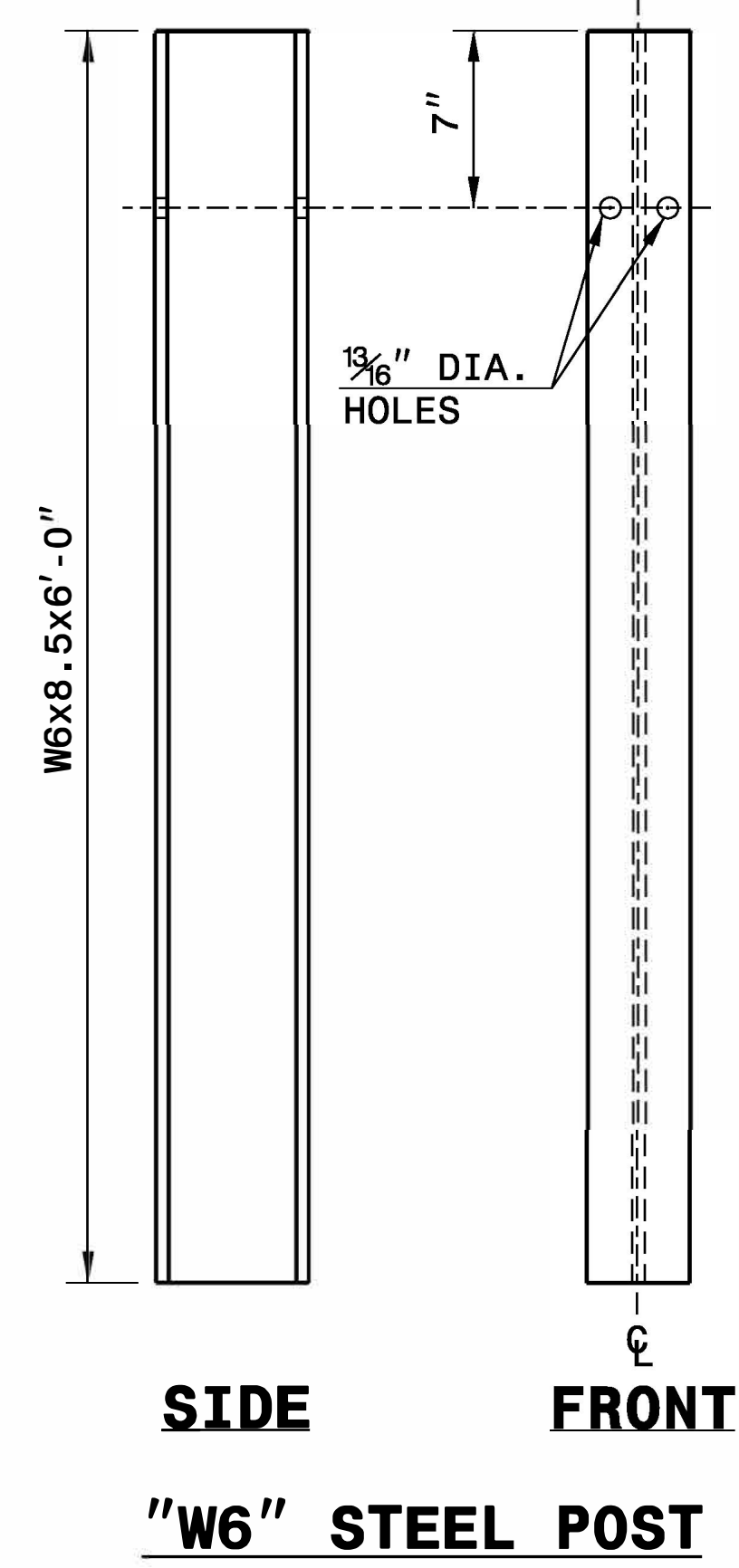
**STEEL TUBE**  
TS 6"x8"x0.1875"



**SIDE**

**FRONT**

**ROUTED OFFSET BLOCK**



**SIDE**

**FRONT**

**"W6" STEEL POST**

STATE OF NORTH CAROLINA  
DEPT. OF TRANSPORTATION  
DIVISION OF HIGHWAYS  
RALEIGH, N.C.

ROADWAY DETAIL DRAWING FOR  
**GUARDRAIL INSTALLATION**

SHEET 6 OF 8  
**862D02**

**CONTRACTS STANDARDS  
AND DEVELOPMENT UNIT**  
Office 919-707-6950 FAX 919-250-4119

**SEE TITLE BLOCK**

ORIGINAL BY: J. HOWERTON	DATE: 3-7-2018
MODIFIED BY:	DATE:
CHECKED BY:	DATE:
FILE SPEC.:	