

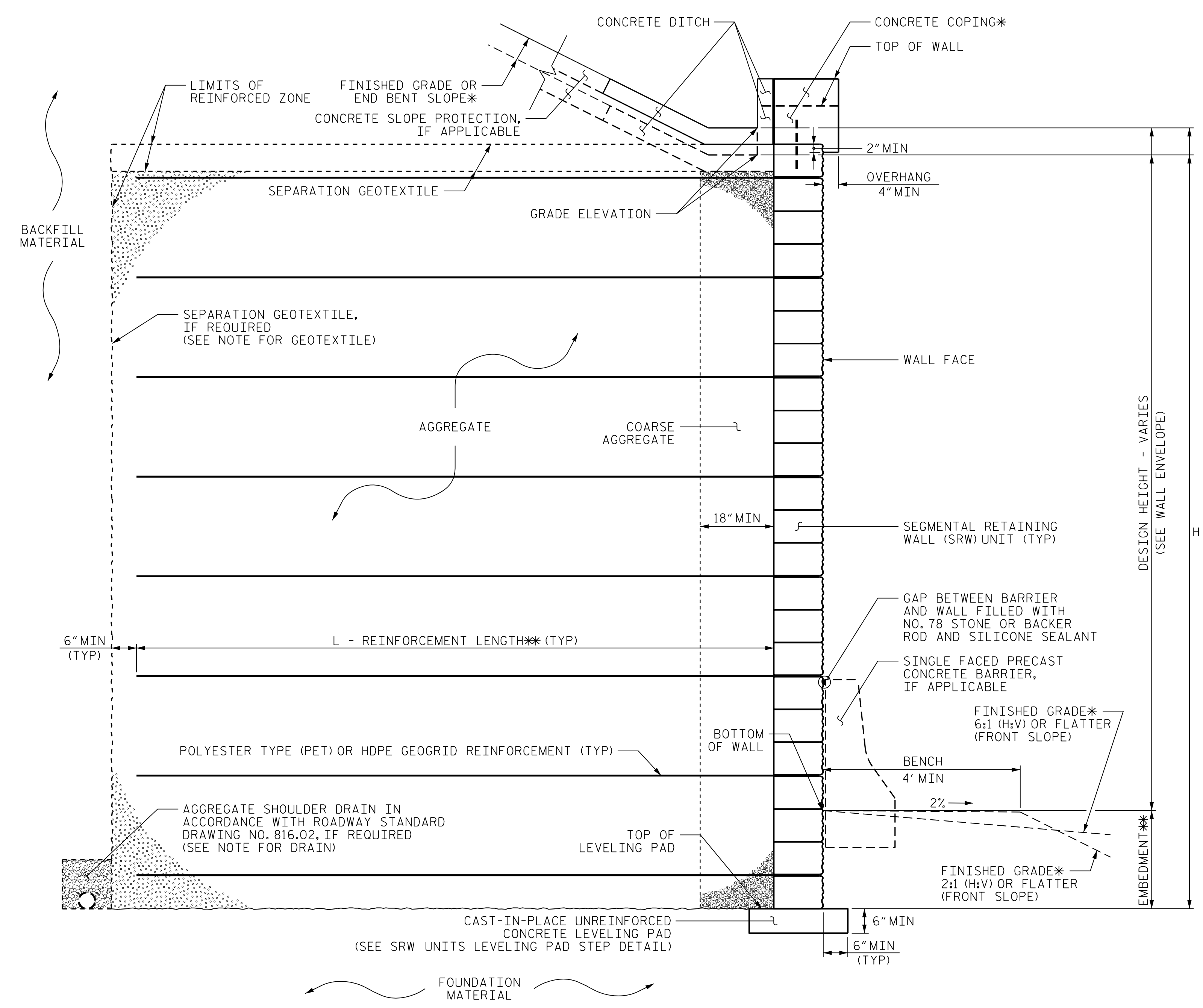
GEOTECHNICAL ENGINEER

ENGINEER

Seal: NORTH CAROLINA PROFESSIONAL ENGINEERS SEAL 028893
MICHAEL H. STEPHENSON
7/4/2019

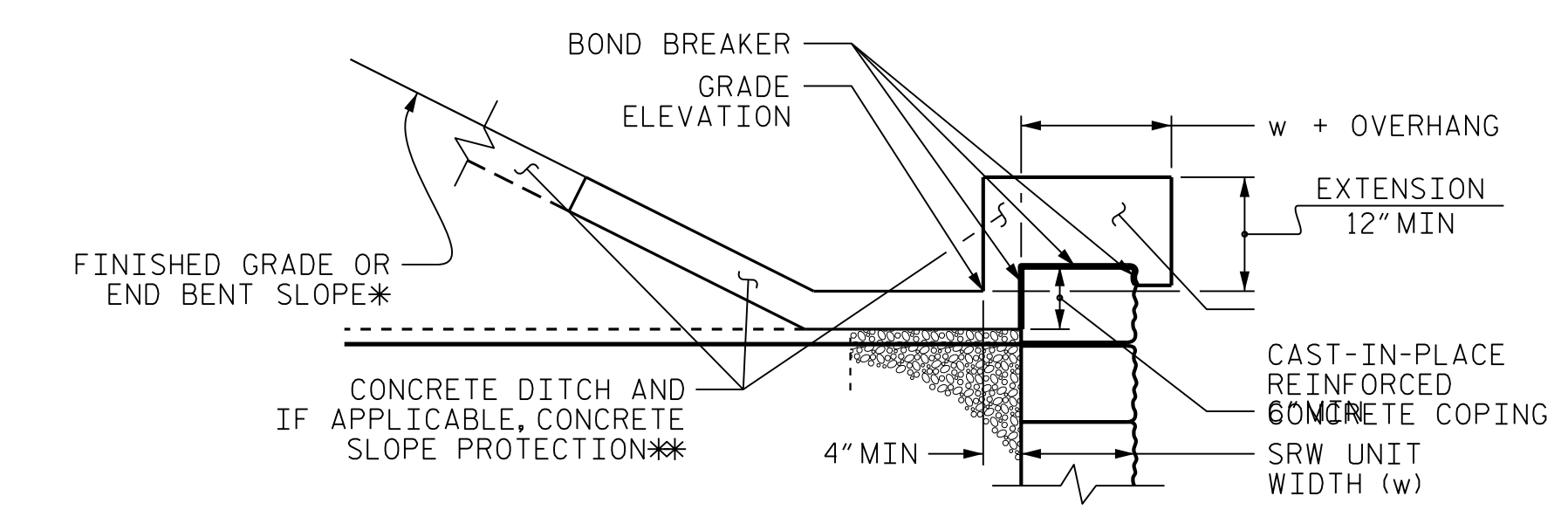
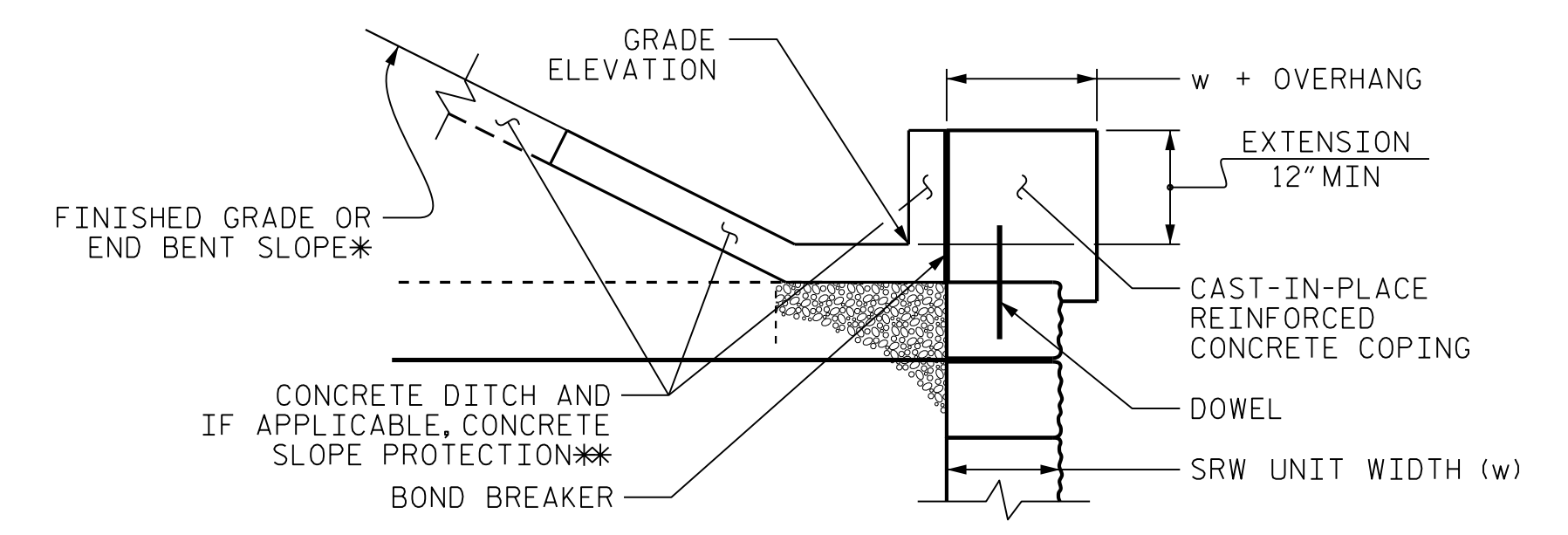
SIGNATURE DATE SIGNATURE DATE

**DOCUMENT NOT CONSIDERED FINAL
UNLESS ALL SIGNATURES COMPLETED**



MSE WALL WITH SRW UNITS - TYPICAL SECTION

*SEE COPING DETAILS AND PLANS FOR FINISHED GRADE OR END BENT SLOPE DETAILS.
**SEE MSE RETAINING WALLS PROVISION AND IF APPLICABLE, MSE WALL NOTES FOR EMBEDMENT AND REINFORCEMENT LENGTH REQUIREMENTS.



COPING DETAILS

AT THE CONTRACTOR'S OPTION, CONNECT COPING TO SRW UNITS WITH DOWELS OR EXTEND COPING DOWN BACK OF SRW UNITS.
*SEE PLANS FOR FINISHED GRADE OR END BENT SLOPE DETAILS.
**SEE CONCRETE DITCH BEHIND WALL DETAILS.

PREPARED BY: MHS	DATE: 4/3/19
REVIEWED BY: SCC	DATE: 4/3/19

NORTH CAROLINA
DEPARTMENT OF TRANSPORTATION
DIVISION OF HIGHWAYS

**GEOTECHNICAL
ENGINEERING UNIT**

PROJECT NO.: 40325.1.46 (Y-4810K)
CABARRUS COUNTY
STATION: 38+50 -L-
SHEET 3 OF 4

REVISIONS						SHEET NO.
NO.	BY	DATE	NO.	BY	DATE	
1			3			W-3
2			4			