

GEOTECHNICAL ENGINEER

ENGINEER

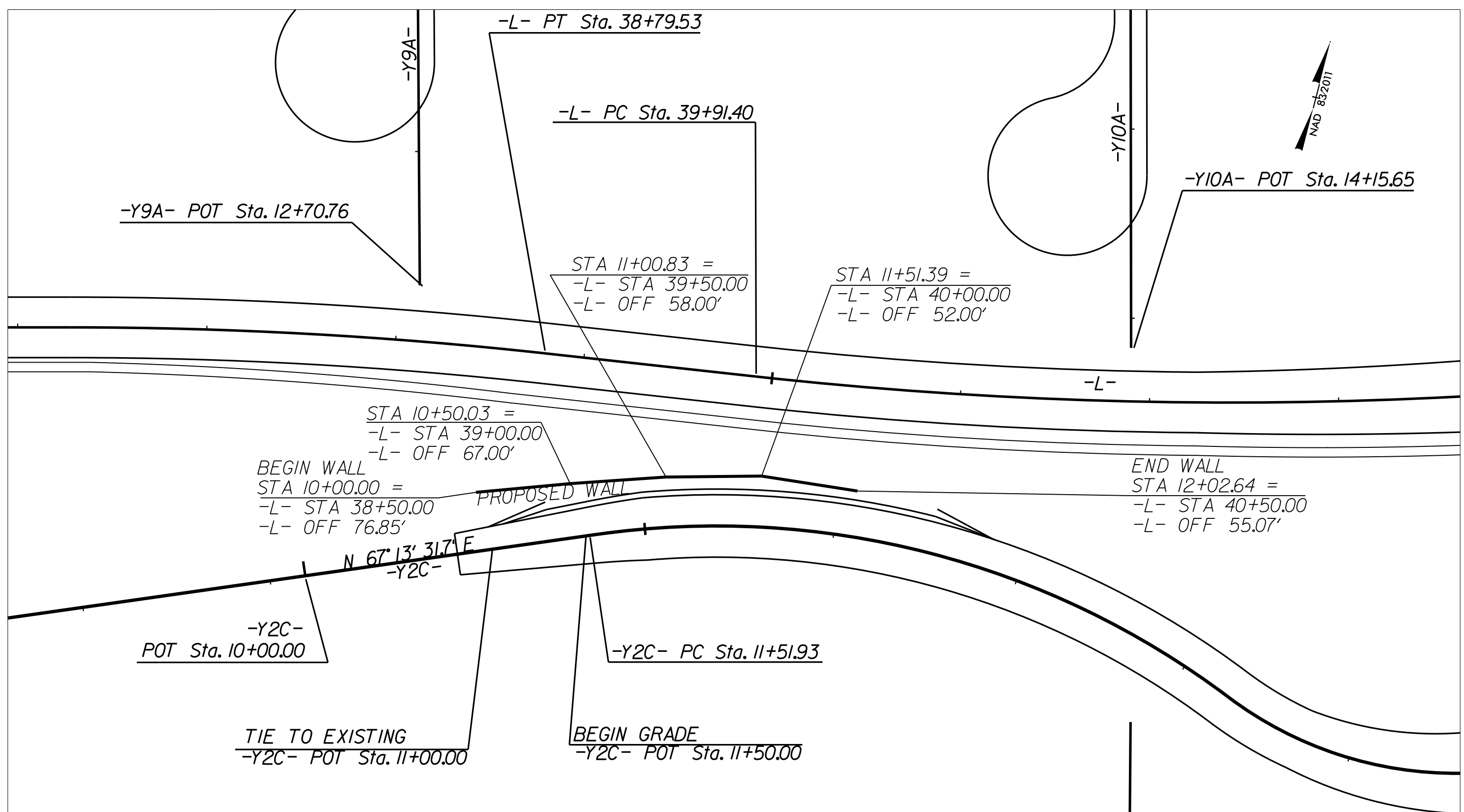
SEAL 028893

PROF. REG. NO. 209234CC

1/4/2019

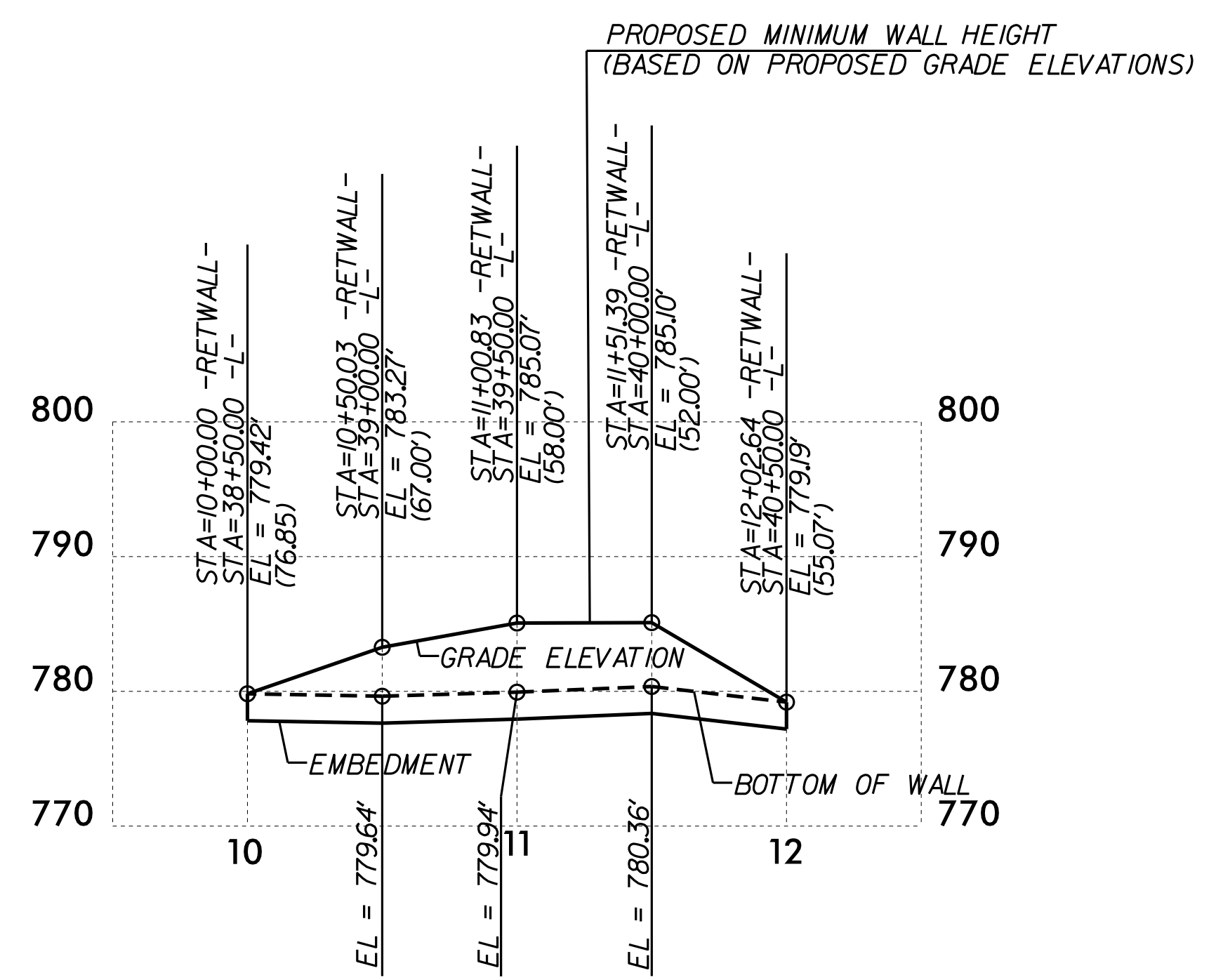
SIGNATURE DATE SIGNATURE DATE

DOCUMENT NOT CONSIDERED FINAL UNLESS ALL SIGNATURES COMPLETED



PLAN VIEW - RETAINING WALL NO. 1

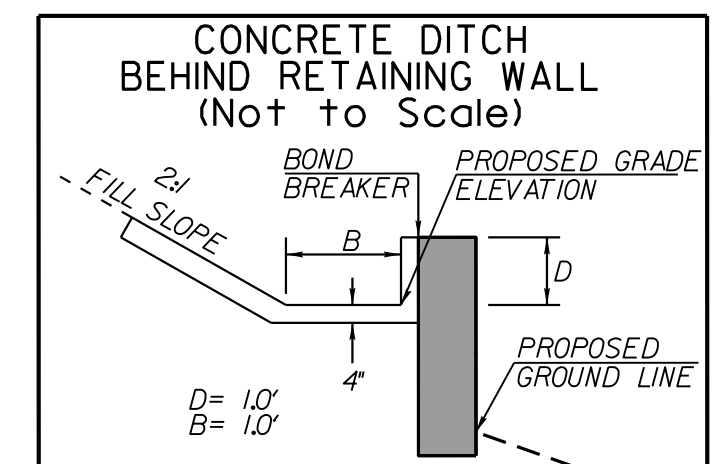
ESTIMATED MSE WALL QUANTITIE (SQUARE FEET)	
MSE RETAINING WALL NO. 1	1075 SF



NOTE: THE WALL ENVELOPE DOES NOT ACCURATELY DEPICT THE ACTUAL FACE OF THE WALL

WALL ENVELOPE - RETAINING WALL NO. 1

NOTE: OFFSET DIMENSIONS ARE FROM FACE OF WALL



PROJECT NO.: 40325.1.46 (Y-4810K)

CABARRUS COUNTY

STATION: 38+50 -L-

SHEET 1 OF 4

NORTH CAROLINA DEPARTMENT OF TRANSPORTATION DIVISION OF HIGHWAYS

GEOTECHNICAL ENGINEERING UNIT

MSE RETAINING WALL RETAINING WALL NO. 1					
REVISIONS					
NO.	BY	DATE	NO.	BY	DATE
1			3		
2			4		

SHEET NO. W-1

PREPARED BY: MHS	DATE: 4/3/19
REVIEWED BY: SCC	DATE: 4/3/19