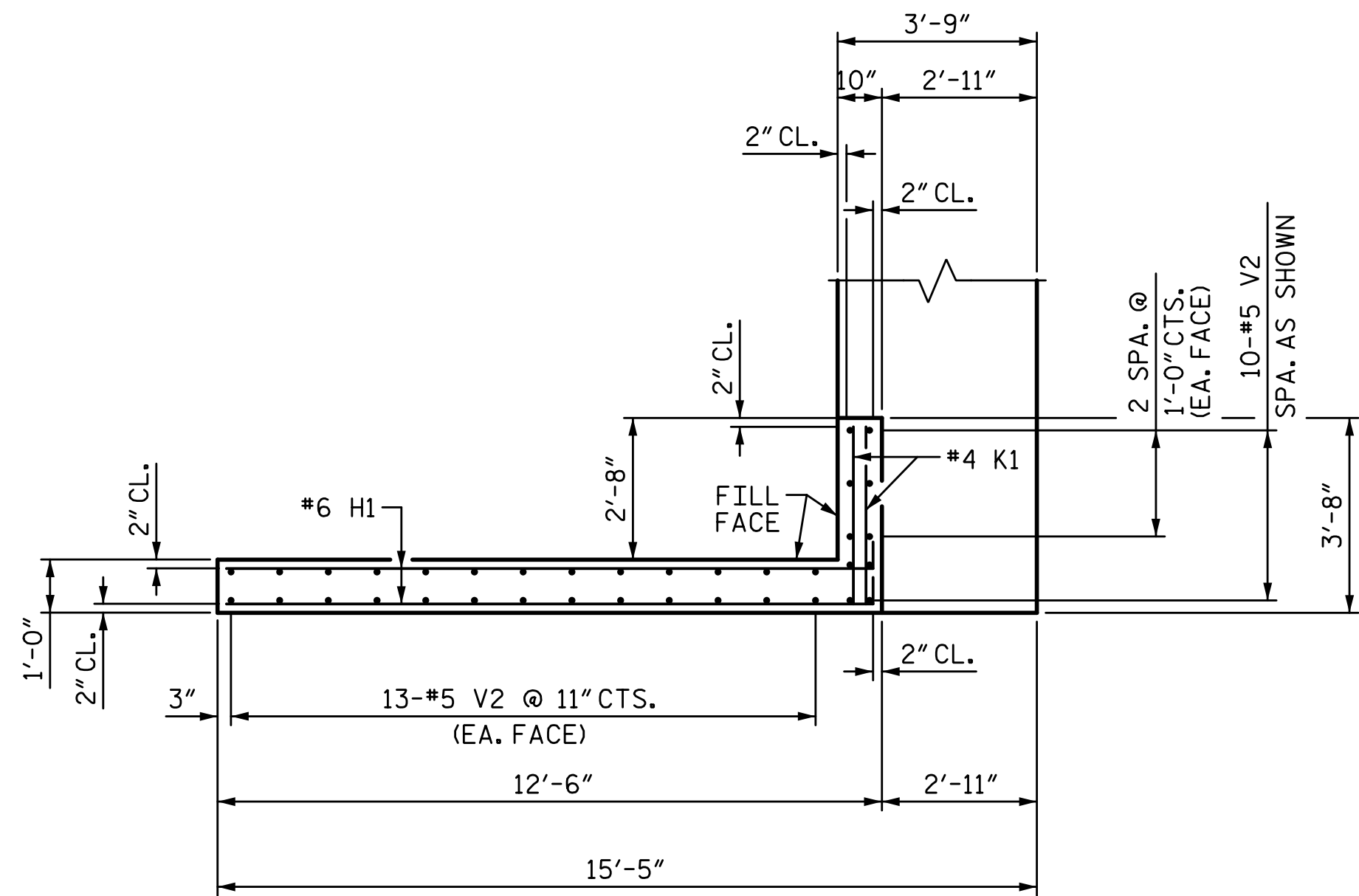
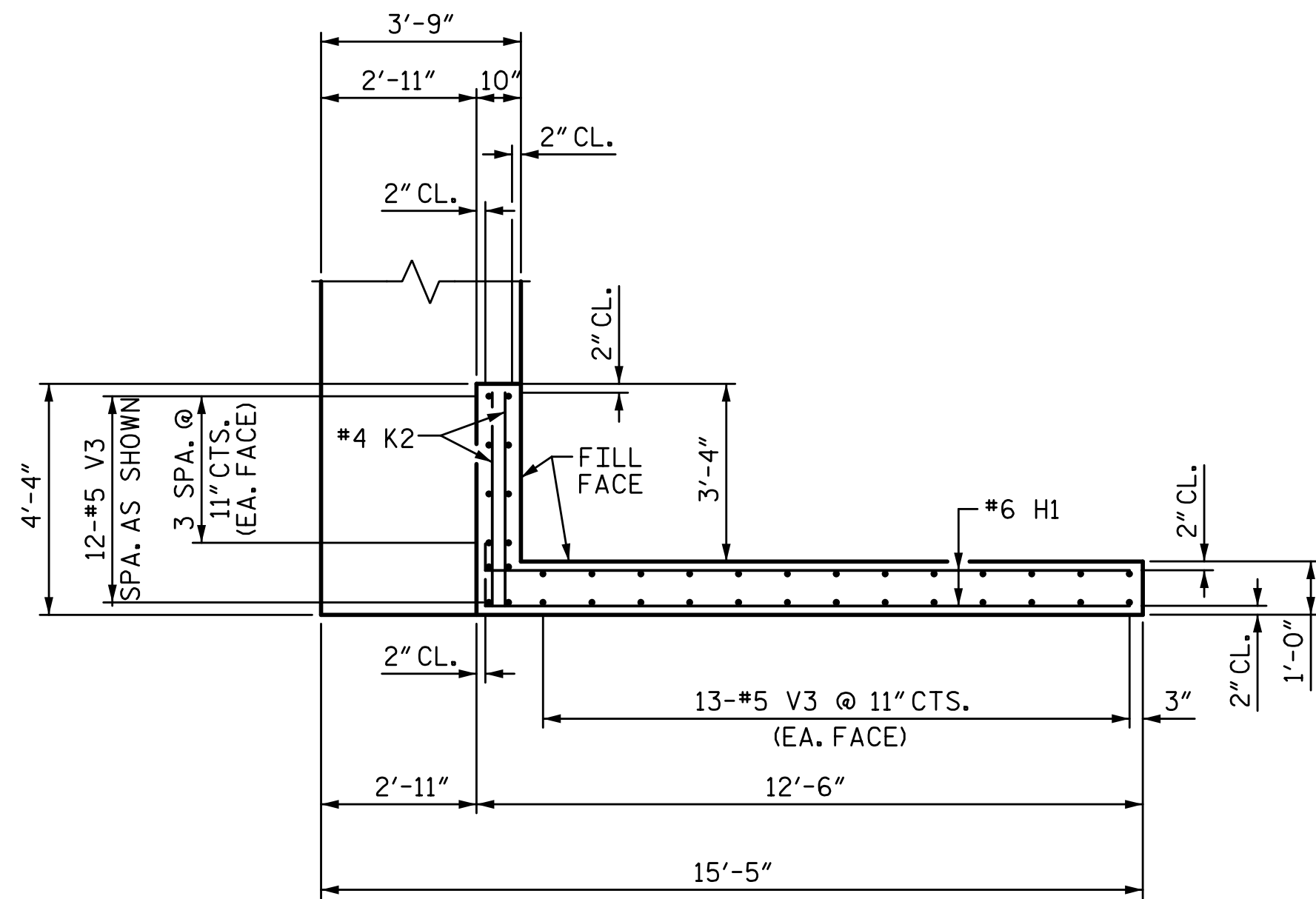


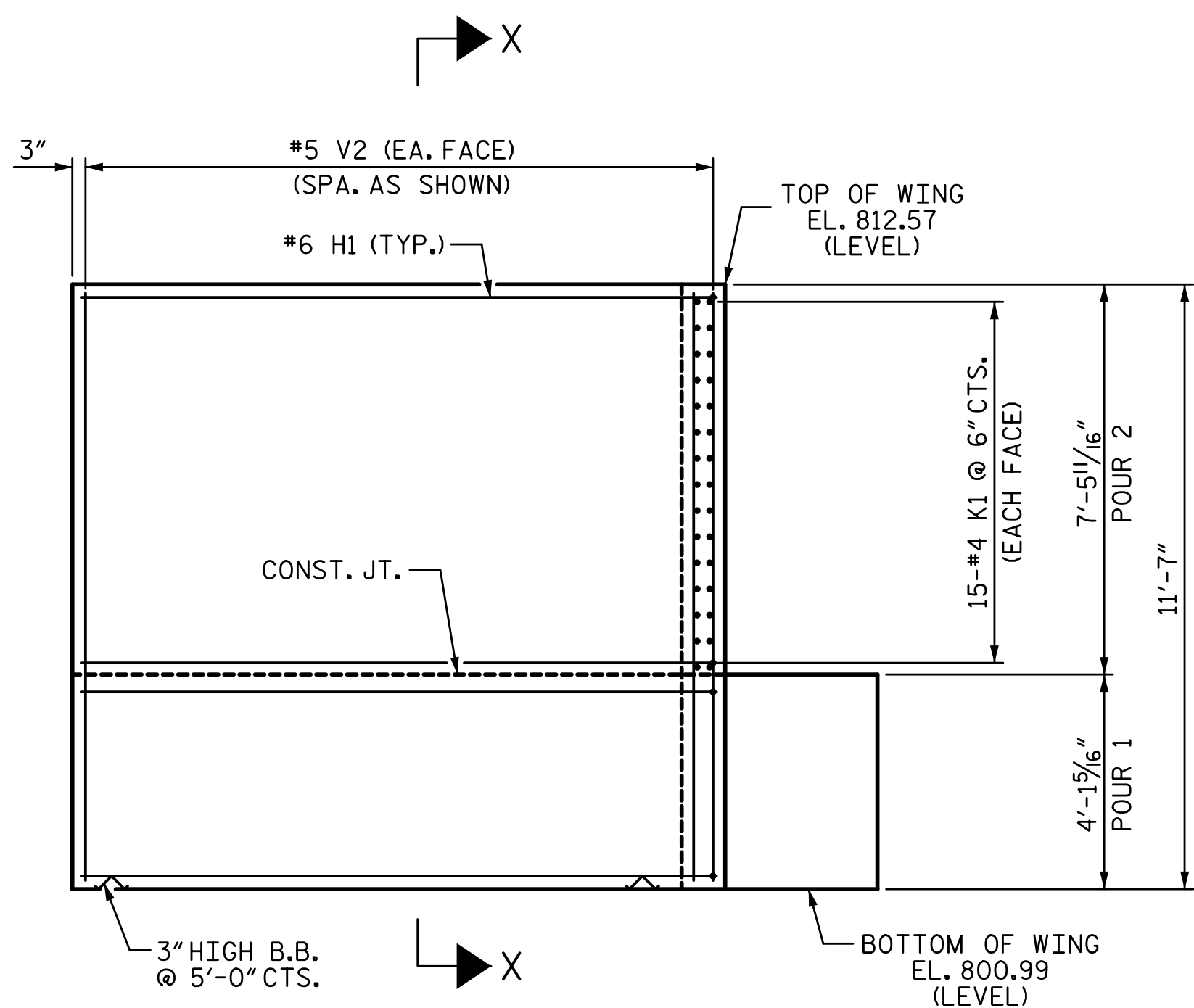
8/25/2022 2:05:20 PM P:\Raleigh\Projects\2015\Y-4810K (NCDOT Rail Div)\Structures\Drawings\Final\Y4810K_SMU_EB2.dgn



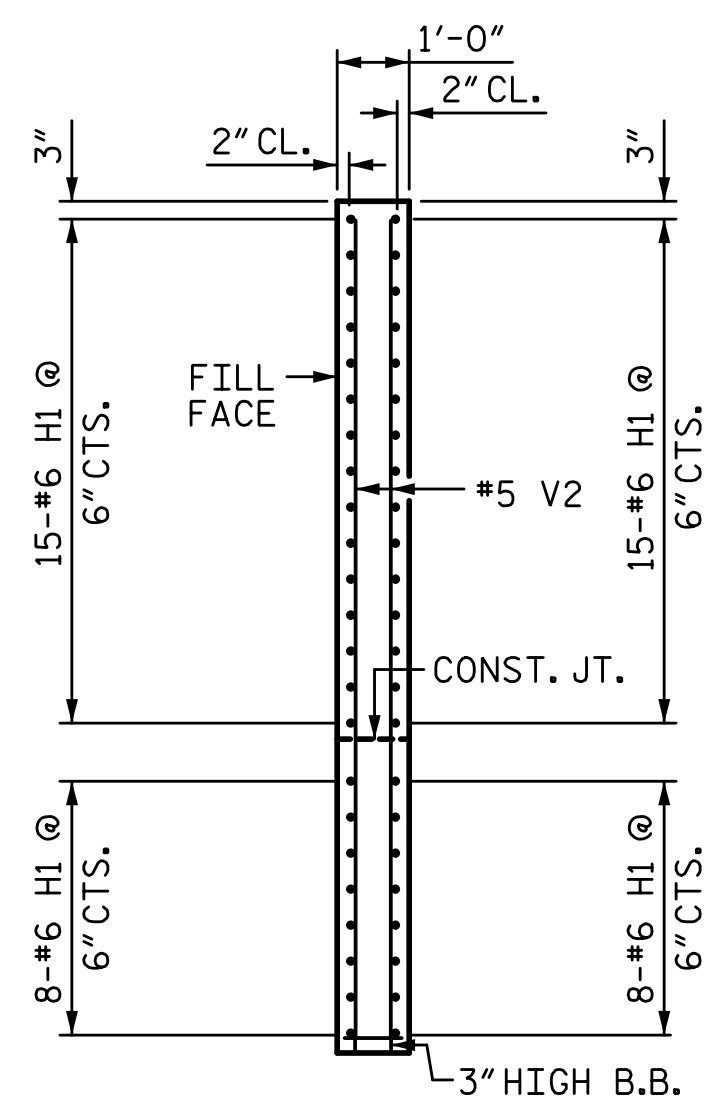
PLAN OF WING (W1)



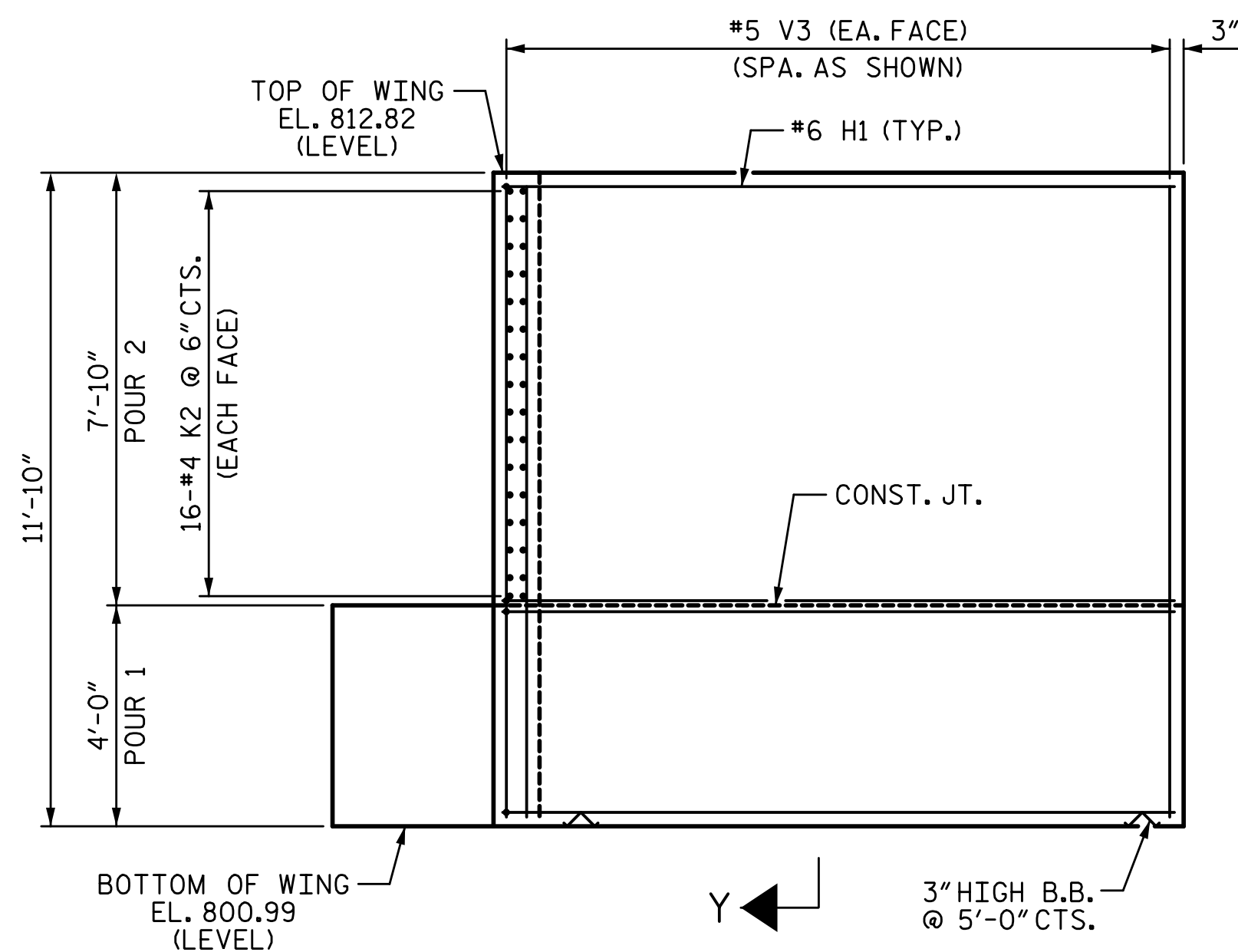
PLAN OF WING (W2)



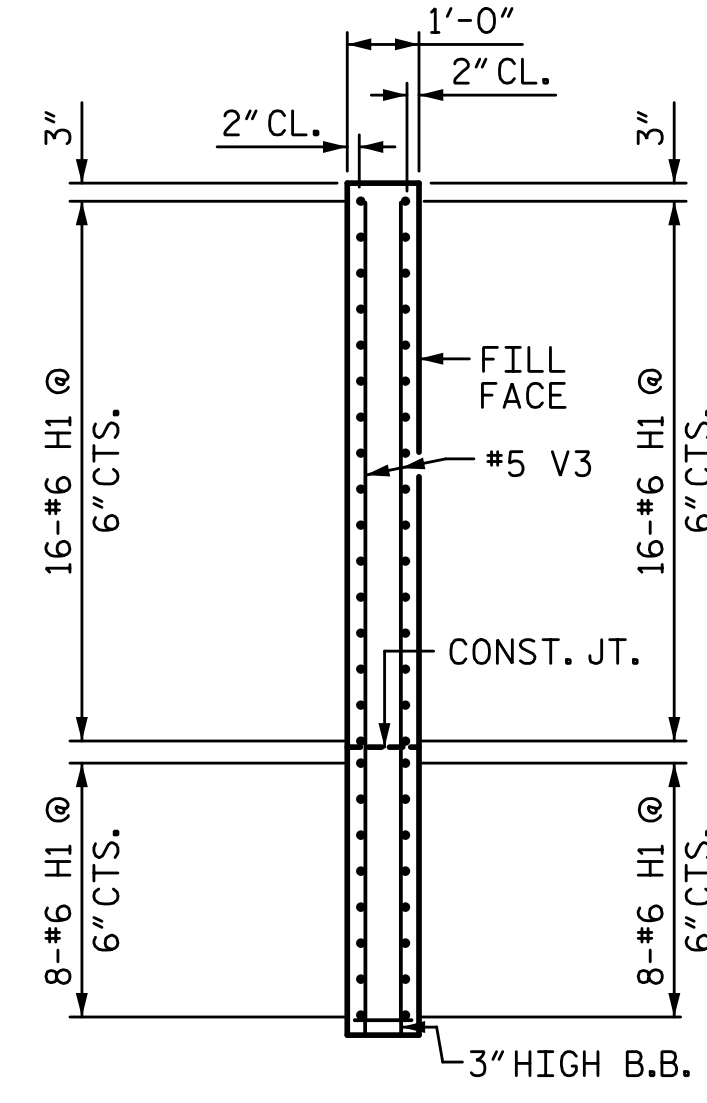
ELEVATION OF WING (W1)



SECTION X-X



ELEVATION OF WING (W2)



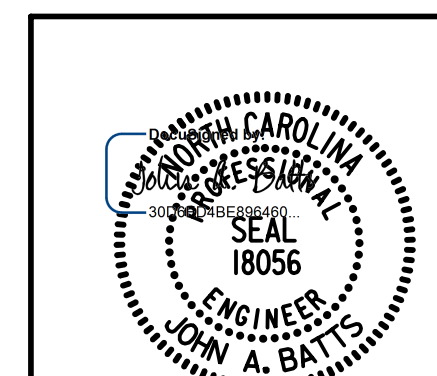
SECTION Y-Y

PROJECT NO. Y-4810K
CABARRUS COUNTY
 STATION: 31+94.08 -L-

SHEET 2 OF 3

STATE OF NORTH CAROLINA
 DEPARTMENT OF TRANSPORTATION
 RALEIGH
 SUBSTRUCTURE

END BENT 2



LICENSURE NO. C-4434

8/25/2022 | 11:22 AM

DRAWN BY: S.D. COOPER	DATE: 2-19
CHECKED BY: J. A. BATTS	DATE: 2-19
DESIGN ENGINEER OF RECORD: J. A. BATTS	DATE: 2-19

REVISIONS						SHEET NO.
NO.	BY:	DATE:	NO.	BY:	DATE:	S-47
1			3			TOTAL SHEETS
2			4			53

DOCUMENT NOT CONSIDERED FINAL
 UNLESS ALL SIGNATURES COMPLETED