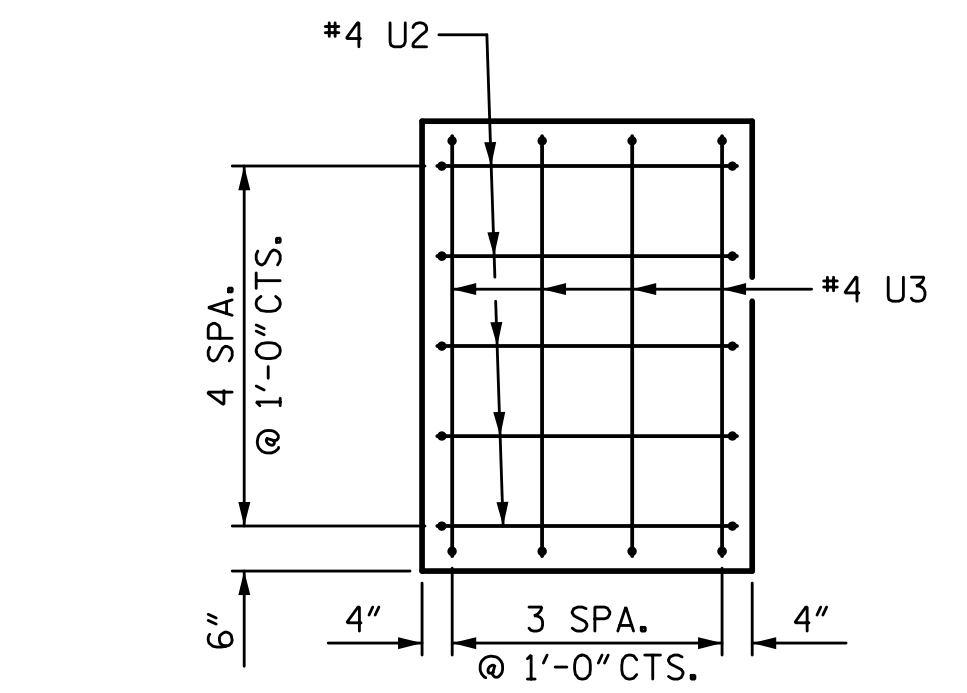
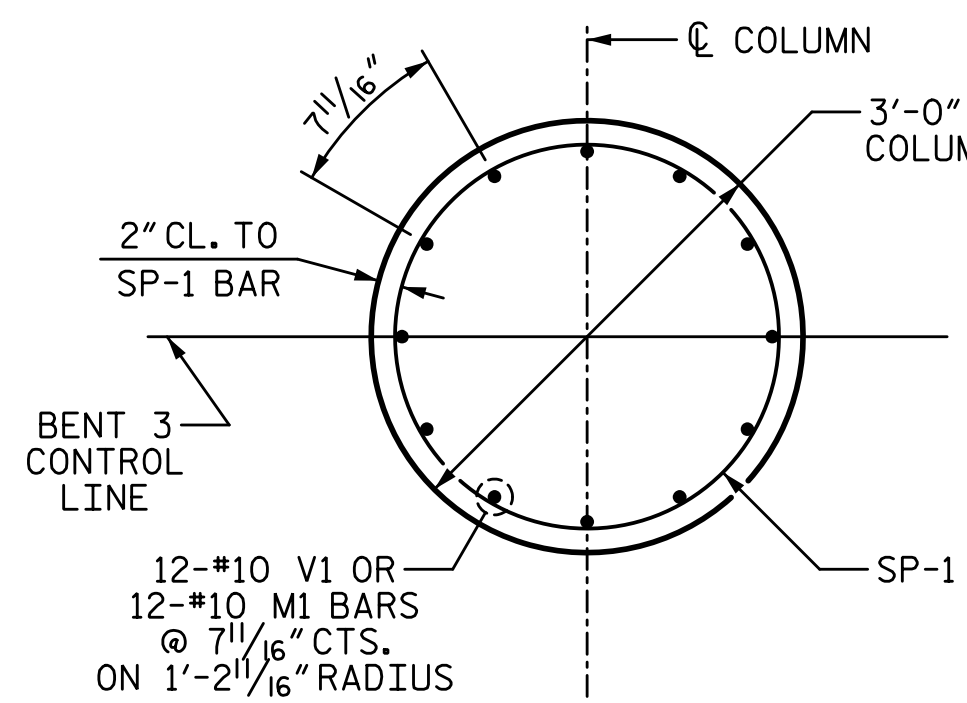


8/25/2022 2:05:11 PM P:\RailDiv\Structures\Drawings\Final\4810K_SMU_B3.dgn



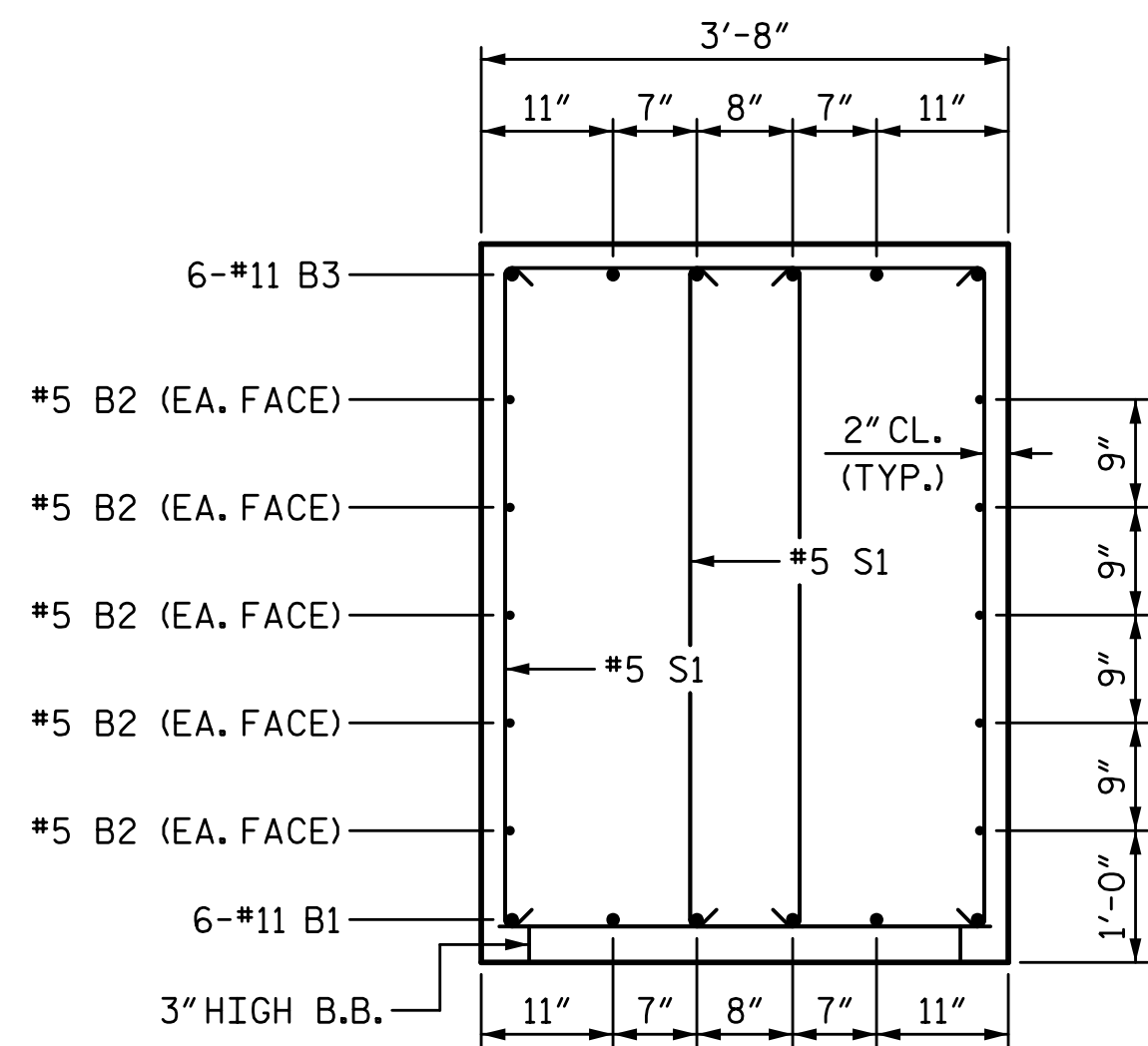
VIEW X-X

RIGHT END SHOWN, LEFT END SIMILAR

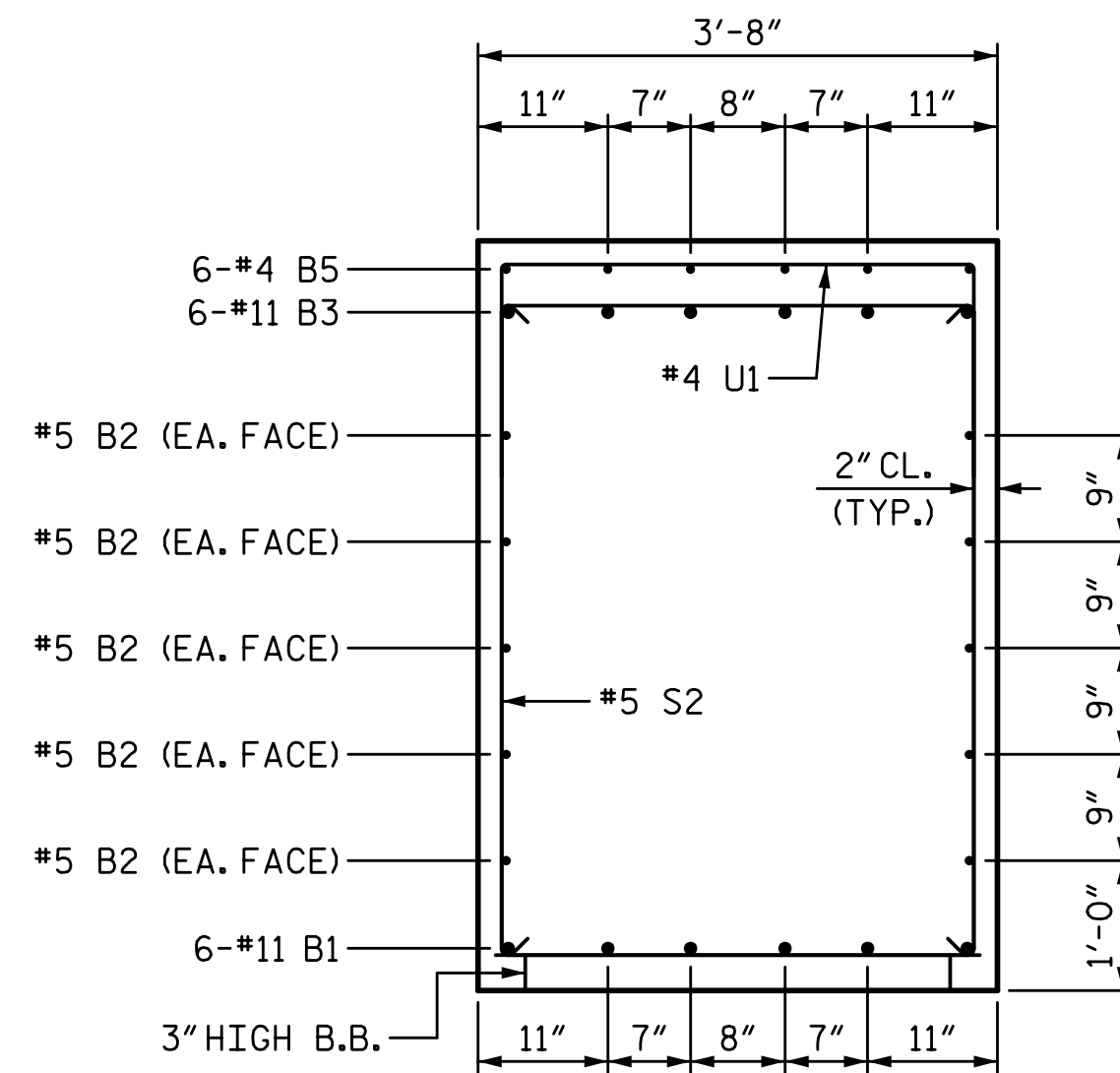


PLAN OF COLUMN

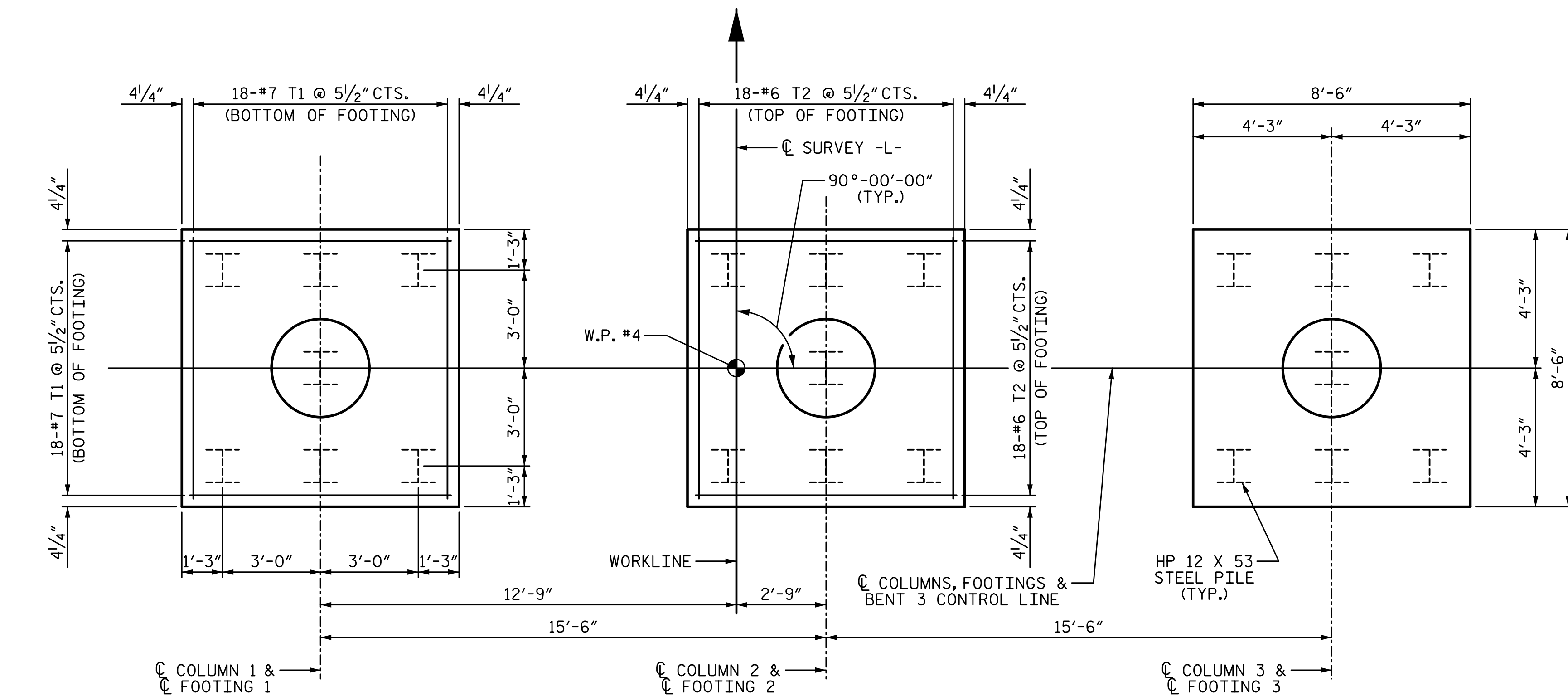
DIMENSIONS AND REINFORCING STEEL ARE TYPICAL FOR EACH COLUMN



SECTION A-A

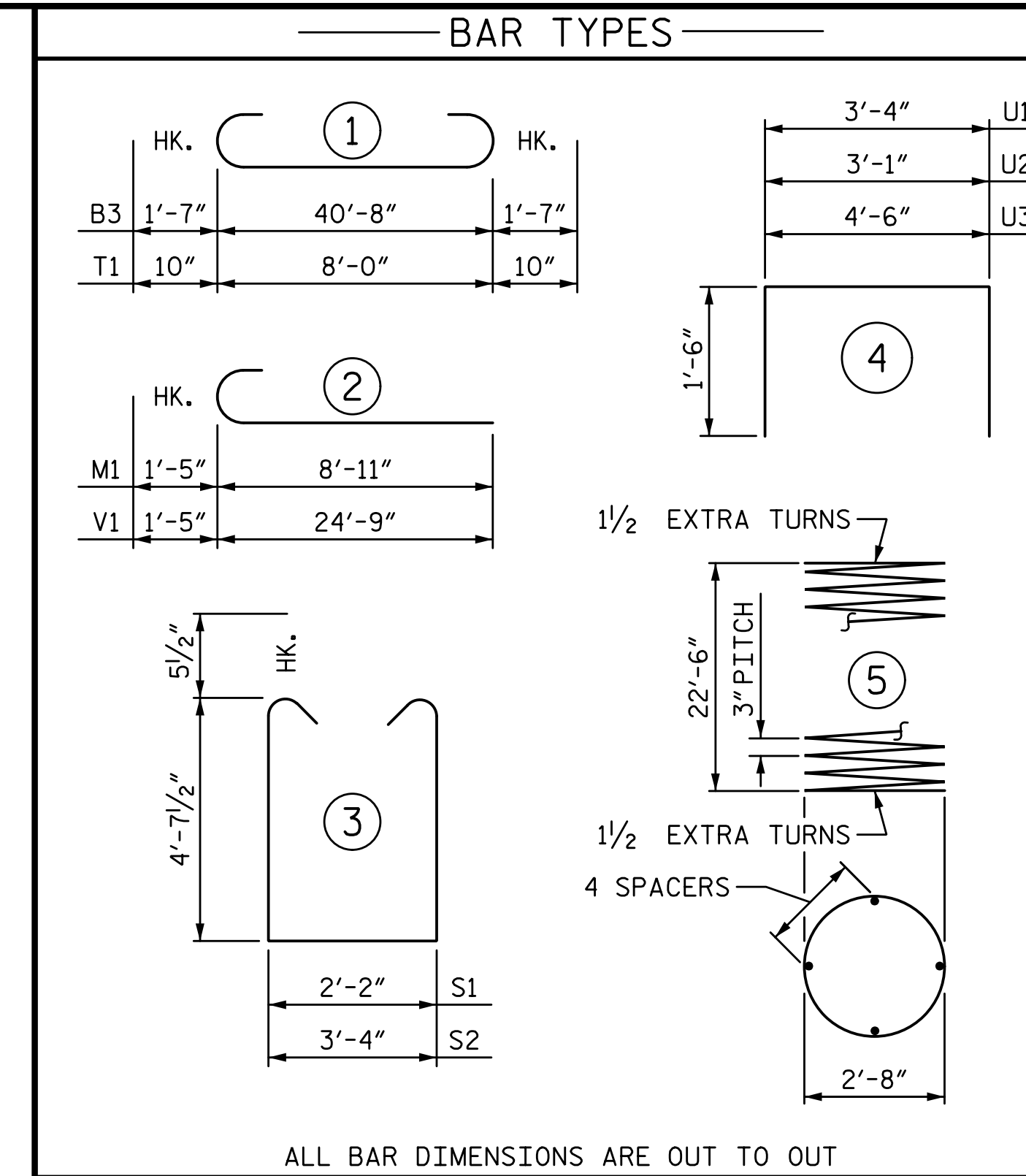


SECTION B-B



PLAN OF FOOTINGS

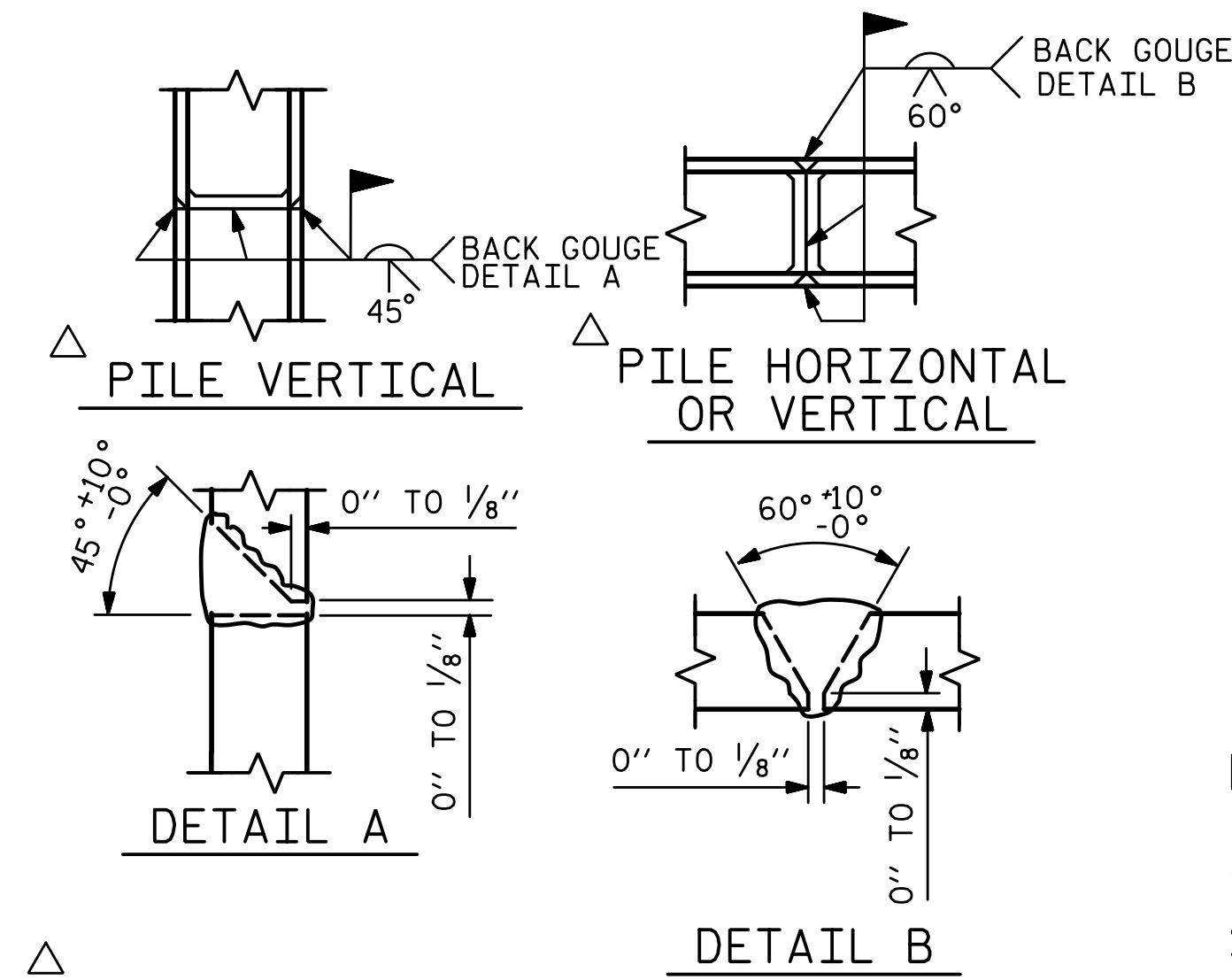
PILE PLACEMENT, DIMENSIONS AND REINFORCING STEEL ARE TYPICAL FOR EACH FOOTING



ALL BAR DIMENSIONS ARE OUT TO OUT

BILL OF MATERIAL					
BENT 3					
BAR	NO.	SIZE	TYPE	LENGTH	WEIGHT
B1	6	#11	STR	40'-10"	1302
B2	10	#5	STR	40'-10"	426
B3	6	#11	1	43'-10"	1397
B4	6	#4	STR	9'-1"	36
B5	6	#4	STR	12'-7"	50
M1	36	#10	2	10'-4"	1601
S1	64	#5	3	12'-4"	823
S2	16	#5	3	13'-6"	225
T1	108	#7	1	9'-8"	2134
T2	108	#6	STR	8'-0"	1298
U1	46	#4	4	6'-4"	195
U2	10	#4	4	6'-1"	41
U3	8	#4	4	7'-6"	40
V1	36	#10	2	26'-2"	4053
SP-1	3	*	5	767'-4"	1538
REINFORCING STEEL					13621 LB
SPIRAL COL. REINF. STEEL					1538 LB
CLASS A CONCRETE BREAKDOWN					
POUR 1 (FOOTINGS)					32.2 CY
POUR 2 (COLUMNS)					17.5 CY
POUR 3 (CAP)					28.9 CY
TOTAL					78.6 CY
HP 12 X 53 STEEL PILES					
NO. 21					630 LF
STEEL PILE POINTS					NO. 21
PILE DRIVING EQUIPMENT SETUP					
HP 12 X 53 STEEL PILES					21 EA

* THE SP-1 SPIRAL REINFORCING STEEL SHALL BE W20 OR D-20 COLD DRAWN WIRE OR #4 PLAIN OR DEFORMED BAR



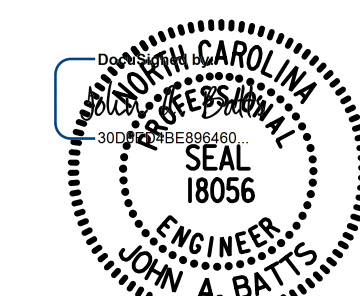
PILE SPLICE DETAILS

PROJECT NO. Y-4810K
CABARRUS COUNTY
 STATION: 31+94.08 -L-

SHEET 2 OF 2

STATE OF NORTH CAROLINA
 DEPARTMENT OF TRANSPORTATION
 RALEIGH
 SUBSTRUCTURE

BENT 3



8/25/2022 | 11:22 AM

DRAWN BY: T. BANKOVICH	DATE: 2-19
CHECKED BY: J. A. BATTS	DATE: 2-19
DESIGN ENGINEER OF RECORD: J. A. BATTS	DATE: 2-19

REVISIONS				SHEET NO.	
NO.	BY:	DATE:	NO.	BY:	DATE:
1			3		
2			4		

DOCUMENT NOT CONSIDERED FINAL UNLESS ALL SIGNATURES COMPLETED