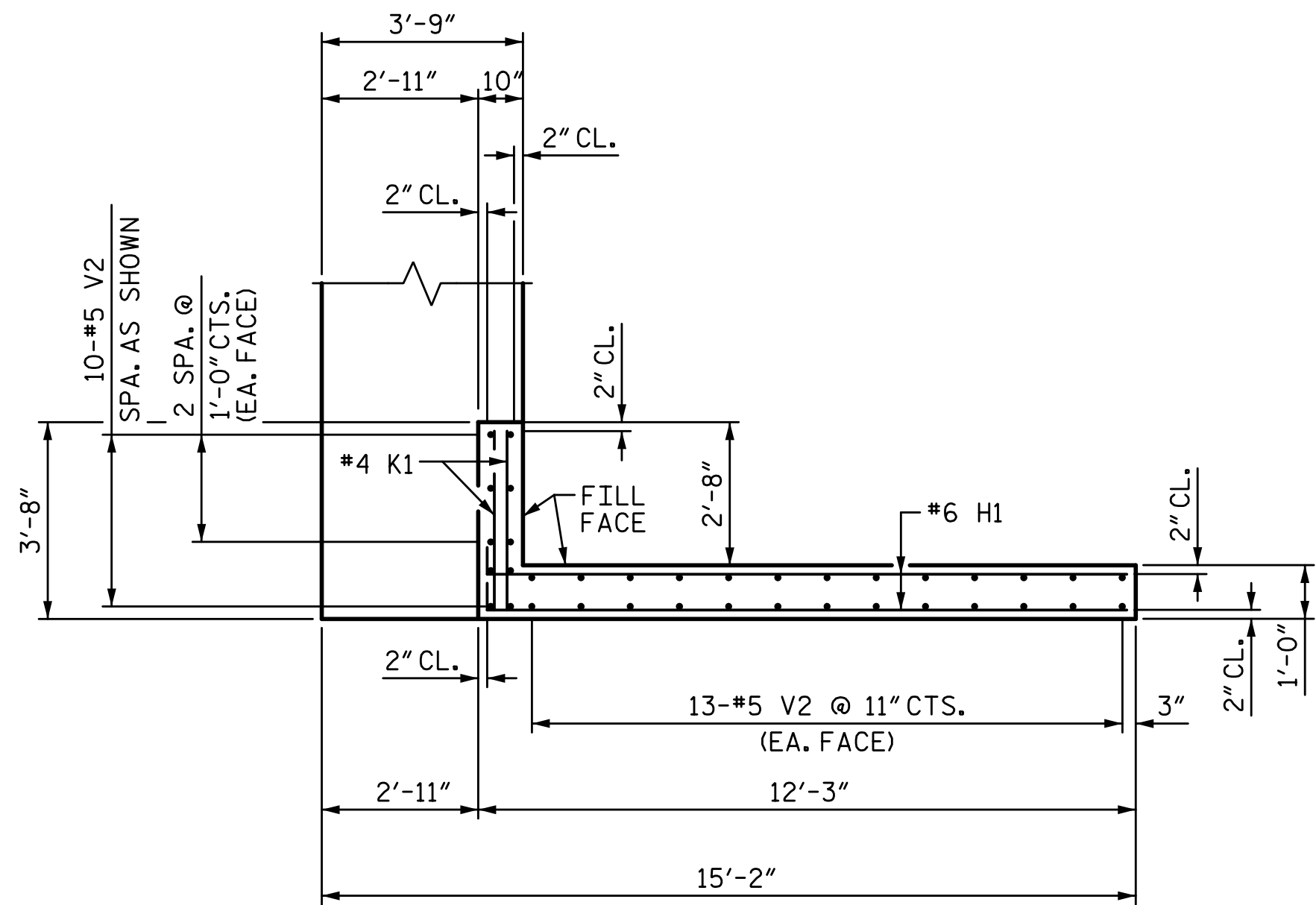
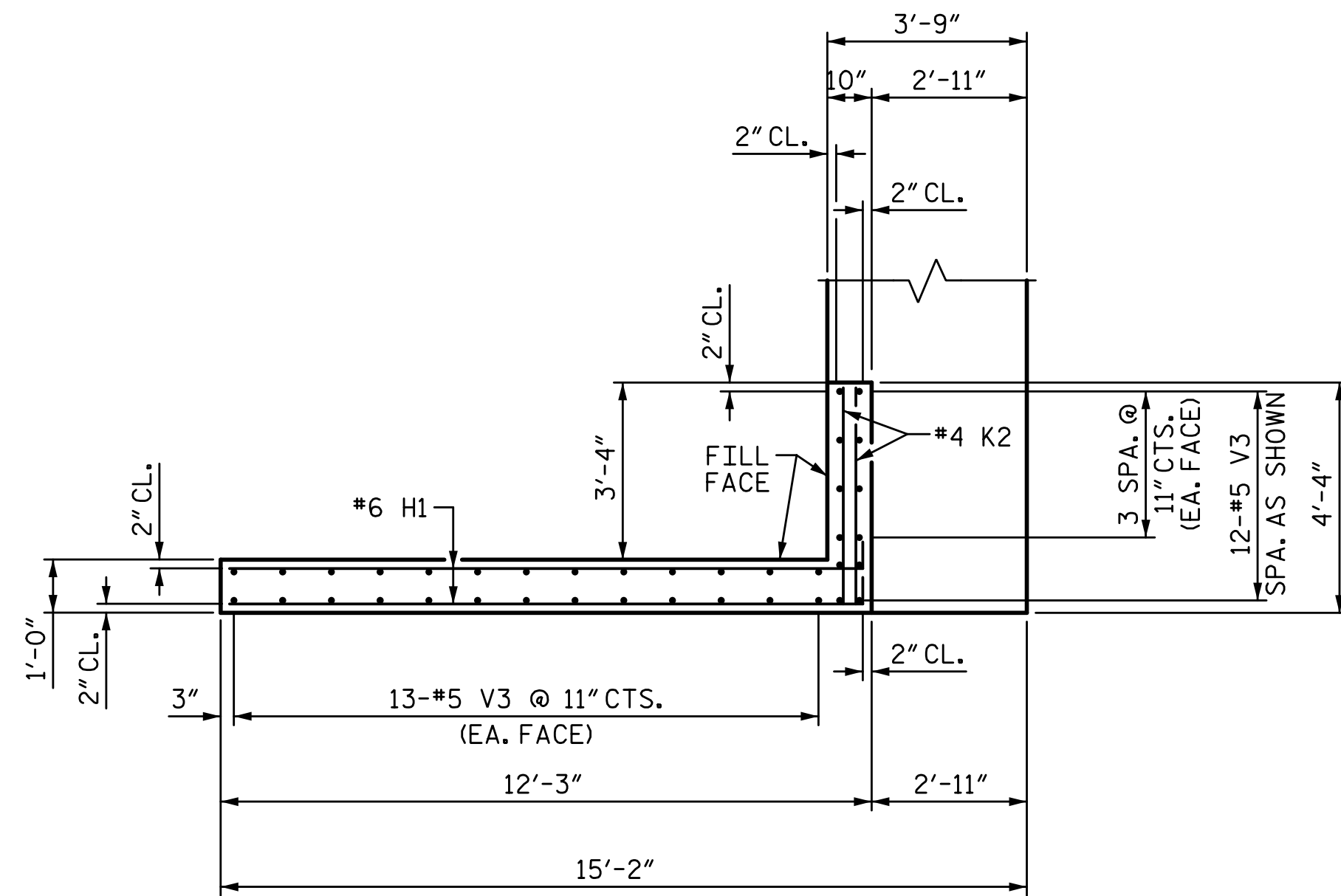


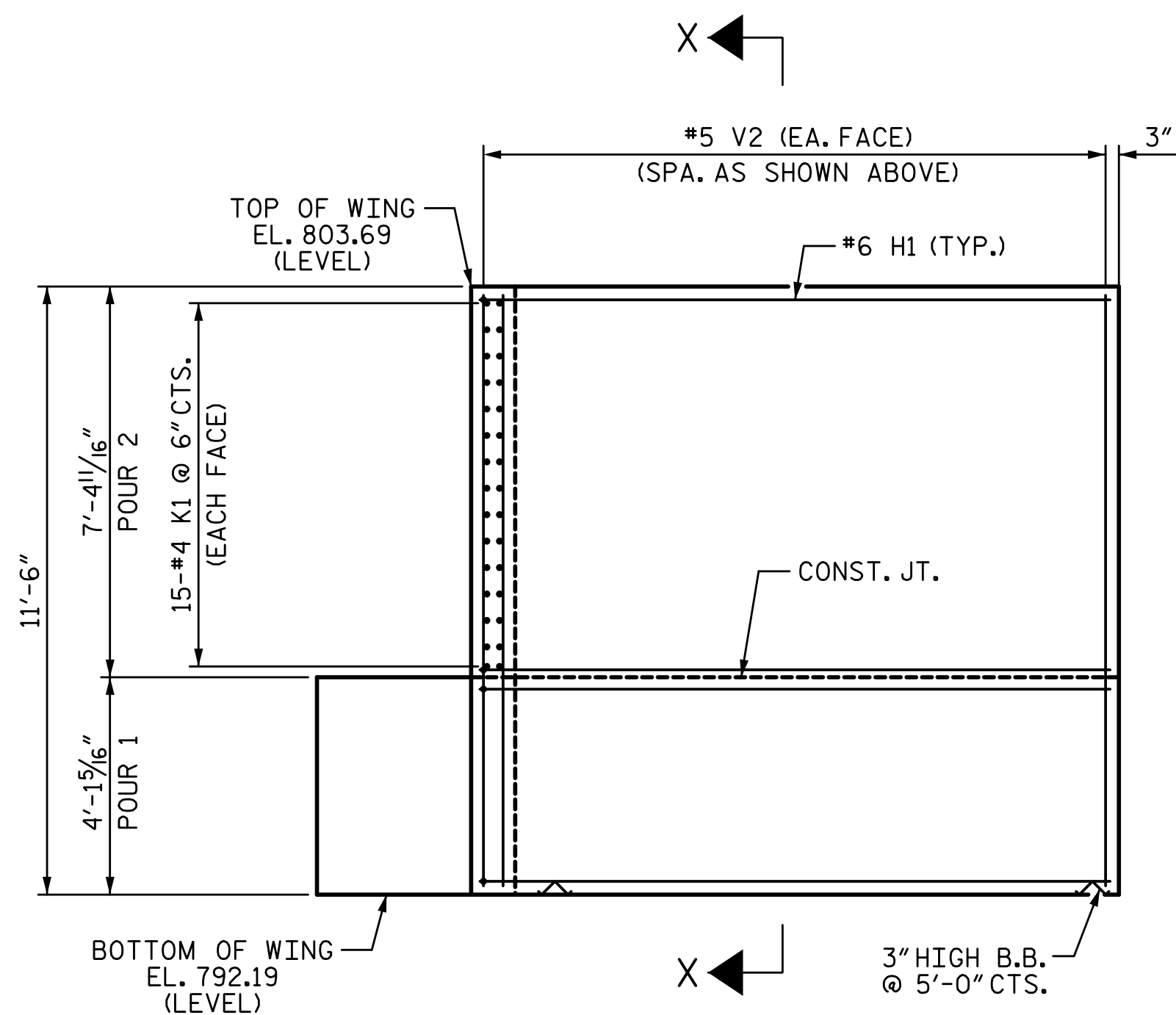
8/25/2022 2:05:07 PM P:\Rail\Projects\2015\Y-4810K (NCDOT Rail)\Div\Structures\Drawings\Final\Y4810K_SMU_EB1.dgn



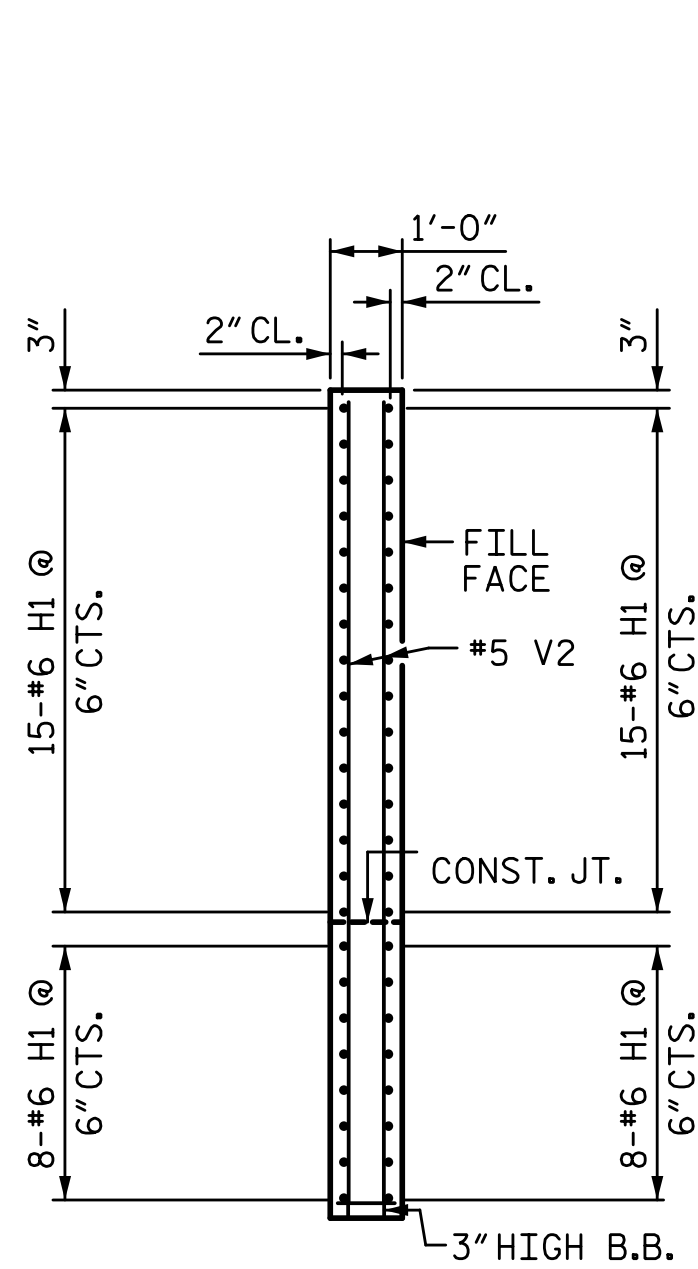
PLAN OF WING (W1)



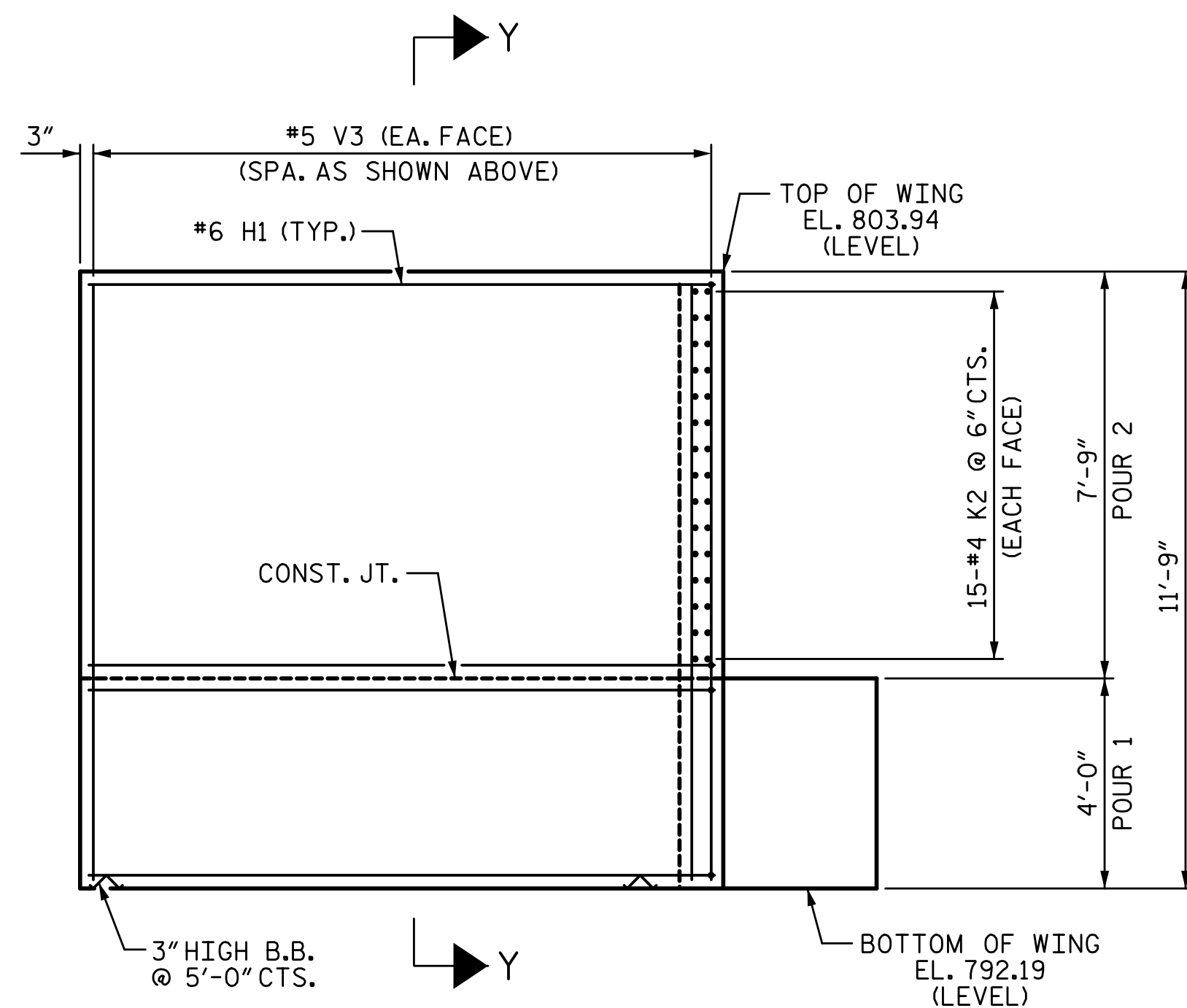
PLAN OF WING (W2)



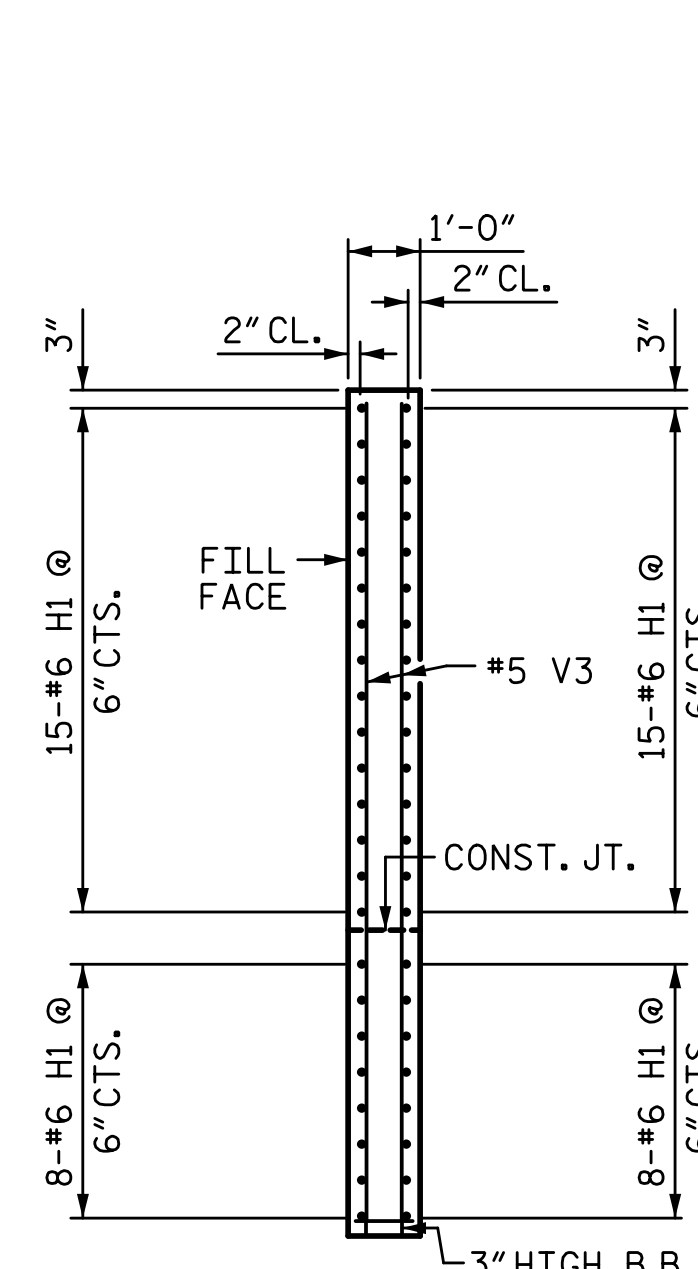
ELEVATION OF WING (W1)



SECTION X-X



ELEVATION OF WING (W2)



SECTION Y-Y

PROJECT NO. Y-4810K
CABARRUS COUNTY
 STATION: 31+94.08 -L-

SHEET 2 OF 3

STATE OF NORTH CAROLINA
 DEPARTMENT OF TRANSPORTATION
 RALEIGH
 SUBSTRUCTURE

END BENT 1



5640 Dillard Drive, Suite 200
 Cary, NC 27518

LICENSURE NO. C-4434



8/25/2022 | 11:22 AM

DRAWN BY: S.D. COOPER	DATE: 2-19
CHECKED BY: J. A. BATTS	DATE: 2-19
DESIGN ENGINEER OF RECORD: J. A. BATTS	DATE: 2-19

REVISIONS						SHEET NO.
NO.	BY:	DATE:	NO.	BY:	DATE:	S-38
1			3			TOTAL SHEETS
2			4			53

DOCUMENT NOT CONSIDERED FINAL
 UNLESS ALL SIGNATURES COMPLETED