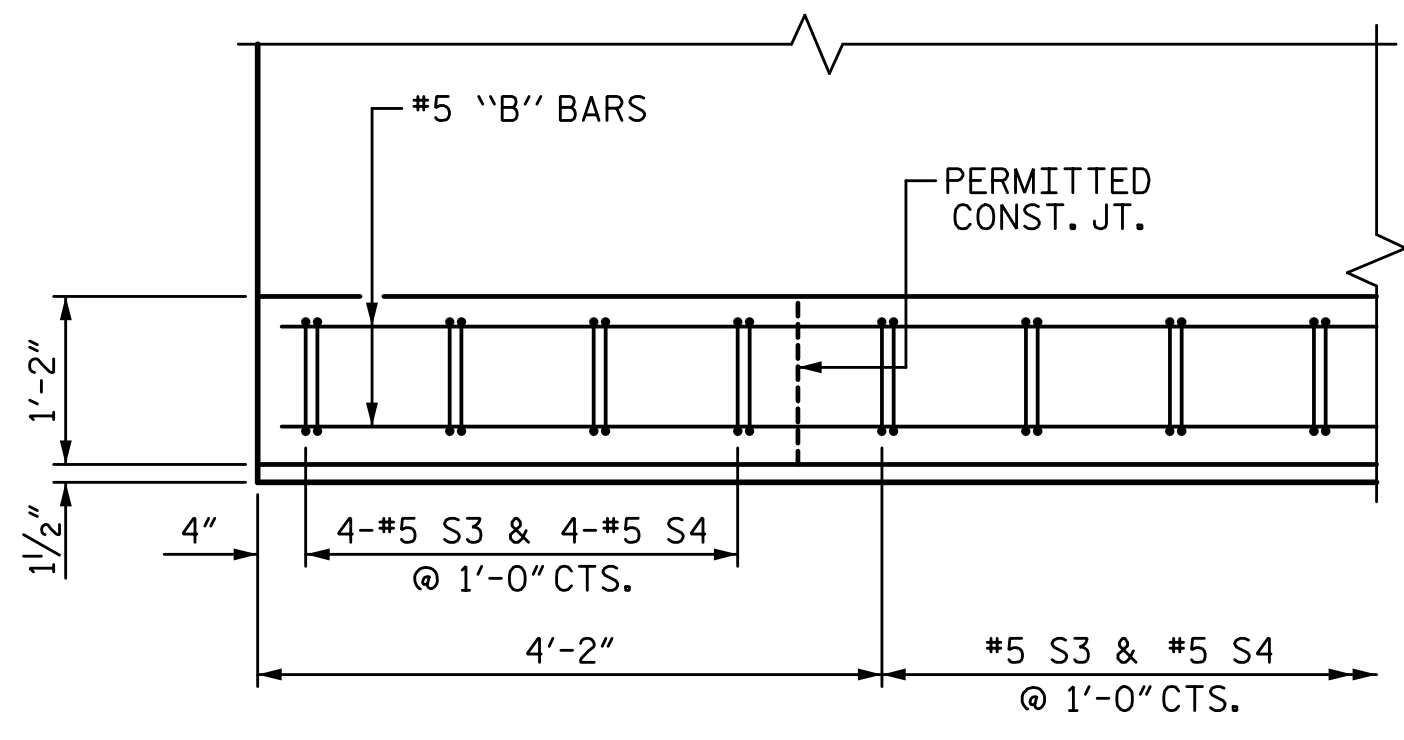


ELEVATION AT EXPANSION JOINTS

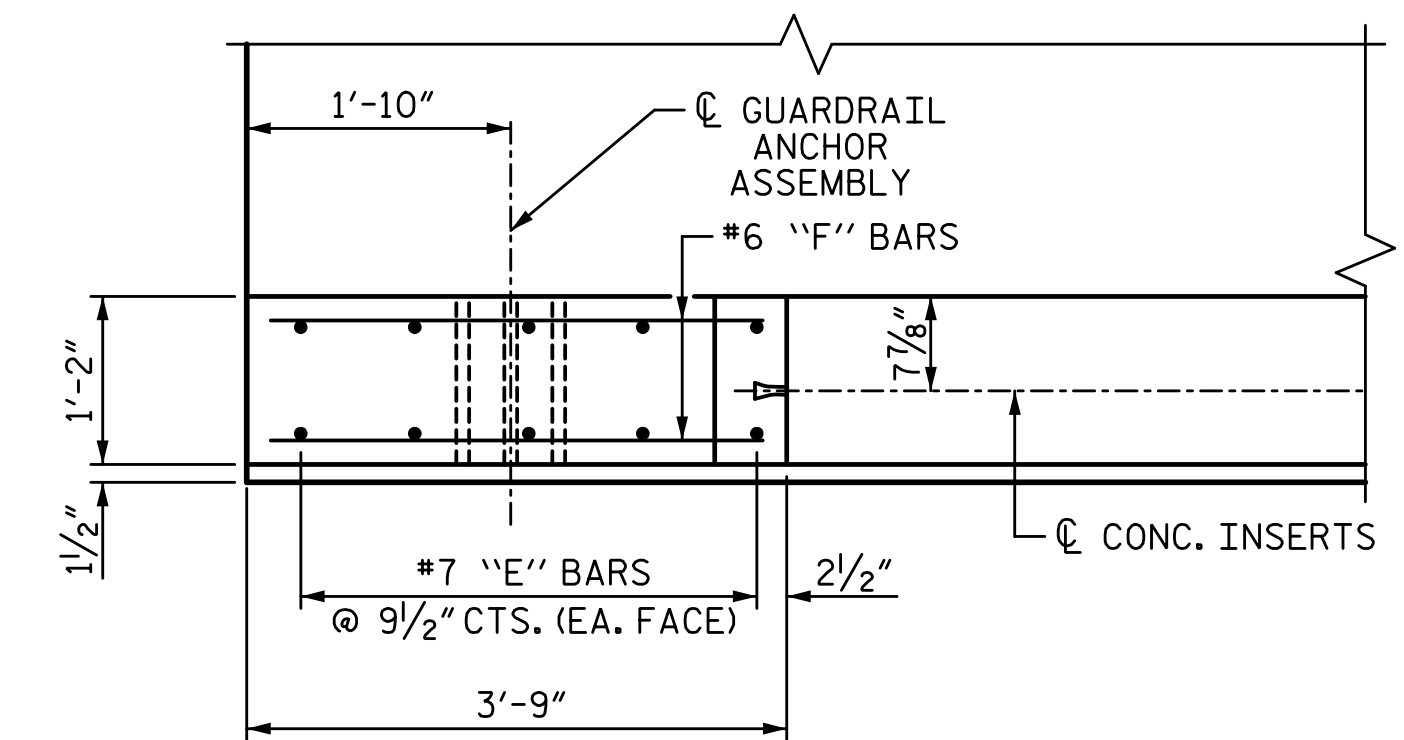
NOTES:
 CONCRETE PARAPET IN A CONTINUOUS UNIT SHALL NOT BE CAST UNTIL ALL SLAB CONCRETE IN THE UNIT HAS BEEN CAST AND HAS REACHED A MINIMUM COMPRESSIVE STRENGTH OF 3,000 PSI.
 ALL REINFORCING STEEL IN PARAPET AND END POSTS SHALL BE EPOXY COATED.
 THE #5 S1 AND #5 S2 BARS MAY BE SHIFTED SLIGHTLY IN ORDER TO MAINTAIN A 2" MINIMUM CLEARANCE TO THE 1/2" EXPANSION JT. MATERIAL IN PARAPET.
 FOR DETAILS OF CONCRETE INSERTS IN END POSTS, SEE "RAIL POST SPACINGS AND END OF RAIL DETAILS" SHEET.
 THE JOINT IN THE DECK AT BENT 2 SHALL BE SAWED PRIOR TO CASTING OF THE PARAPET.
 GROOVED CONTRACTION JOINTS, 1/2" IN DEPTH, SHALL BE TOOLED IN ALL EXPOSED FACES OF THE PARAPET IN ACCORDANCE WITH ARTICLE 825-10(B) OF THE STANDARD SPECIFICATIONS. A CONTRACTION JOINT SHALL BE LOCATED AT EACH THIRD POINT BETWEEN PARAPET EXPANSION JOINTS. ONLY ONE CONTRACTION JOINT IS REQUIRED AT MIDPOINT OF PARAPET SEGMENTS LESS THAN 20 FEET IN LENGTH AND NO CONTRACTION JOINTS ARE REQUIRED FOR THOSE SEGMENTS LESS THAN 10 FEET IN LENGTH.
 FOR DETAILS AND LOCATION OF GUARDRAIL ANCHOR ASSEMBLIES, SEE "GUARDRAIL ANCHORAGE DETAILS FOR METAL RAILS" SHEET.

BAR TYPES		BILL OF MATERIAL					
		RT. PARAPET AND END POSTS					
		BAR NO.	SIZE	TYPE	LENGTH	WEIGHT	
		*B1	80	#5	STR	24'-7"	2051
		*B2	48	#5	STR	27'-10"	1393
		*B3	16	#5	STR	28'-0"	467
		*E6	4	#7	STR	3'-2"	26
		*E7	4	#7	STR	3'-8"	30
		*E8	4	#7	STR	4'-2"	34
		*E9	4	#7	STR	4'-8"	38
		*E10	4	#7	STR	5'-0"	41
*F1	4	#6	STR	1'-10"	11		
*F2	4	#6	STR	3'-0"	18		
*F3	4	#6	STR	3'-5"	21		
*S3	482	#5	1	6'-10"	3435		
*S4	482	#5	2	6'-10"	3435		
TOTAL REINFORCING STEEL					11000 LB		
CLASS AA CONCRETE					66.8 CY		
1'-2" X 3'-2 11/16"							
CONCRETE PARAPET					476.33 LF		

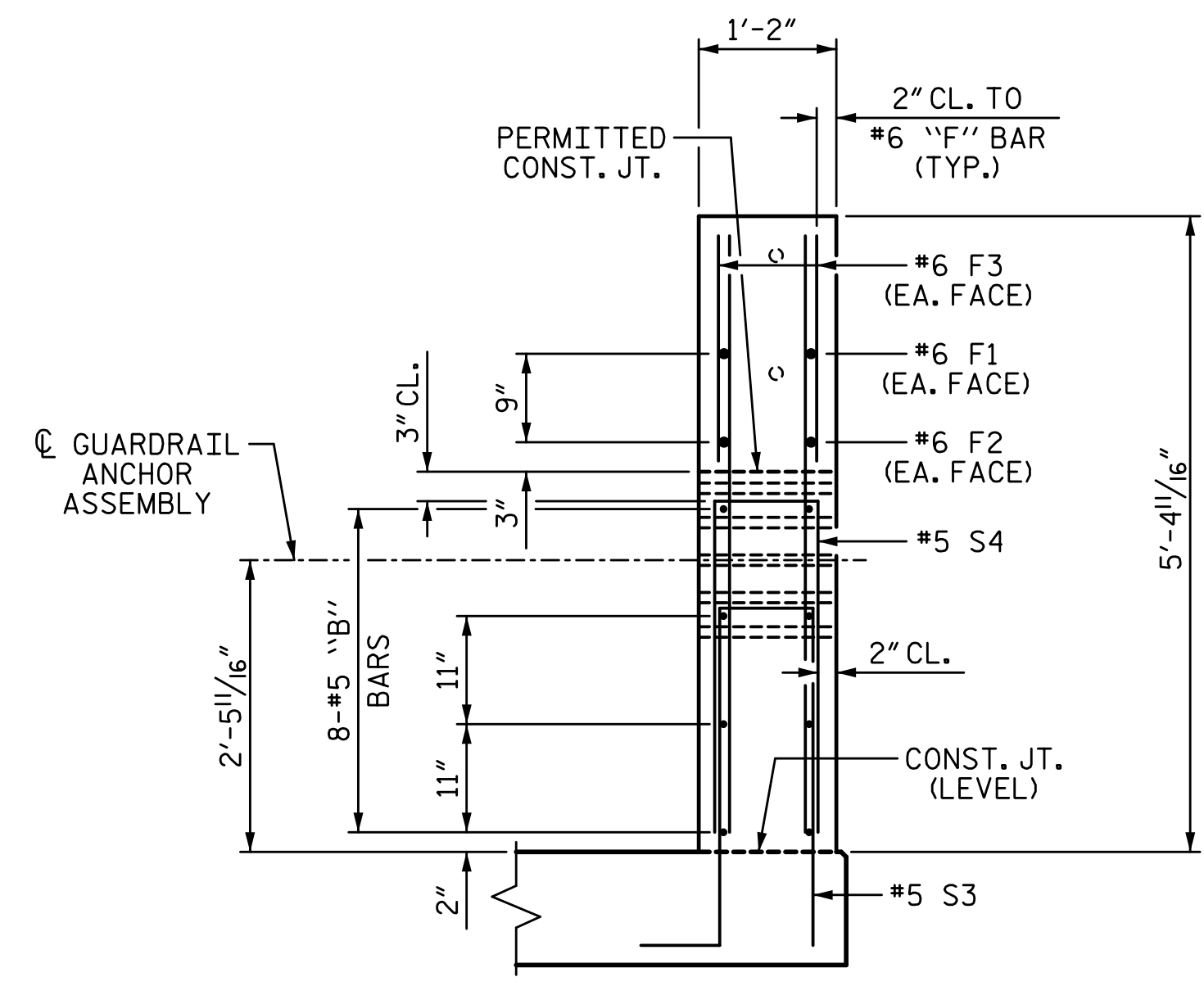
ALL BAR DIMENSIONS ARE OUT TO OUT



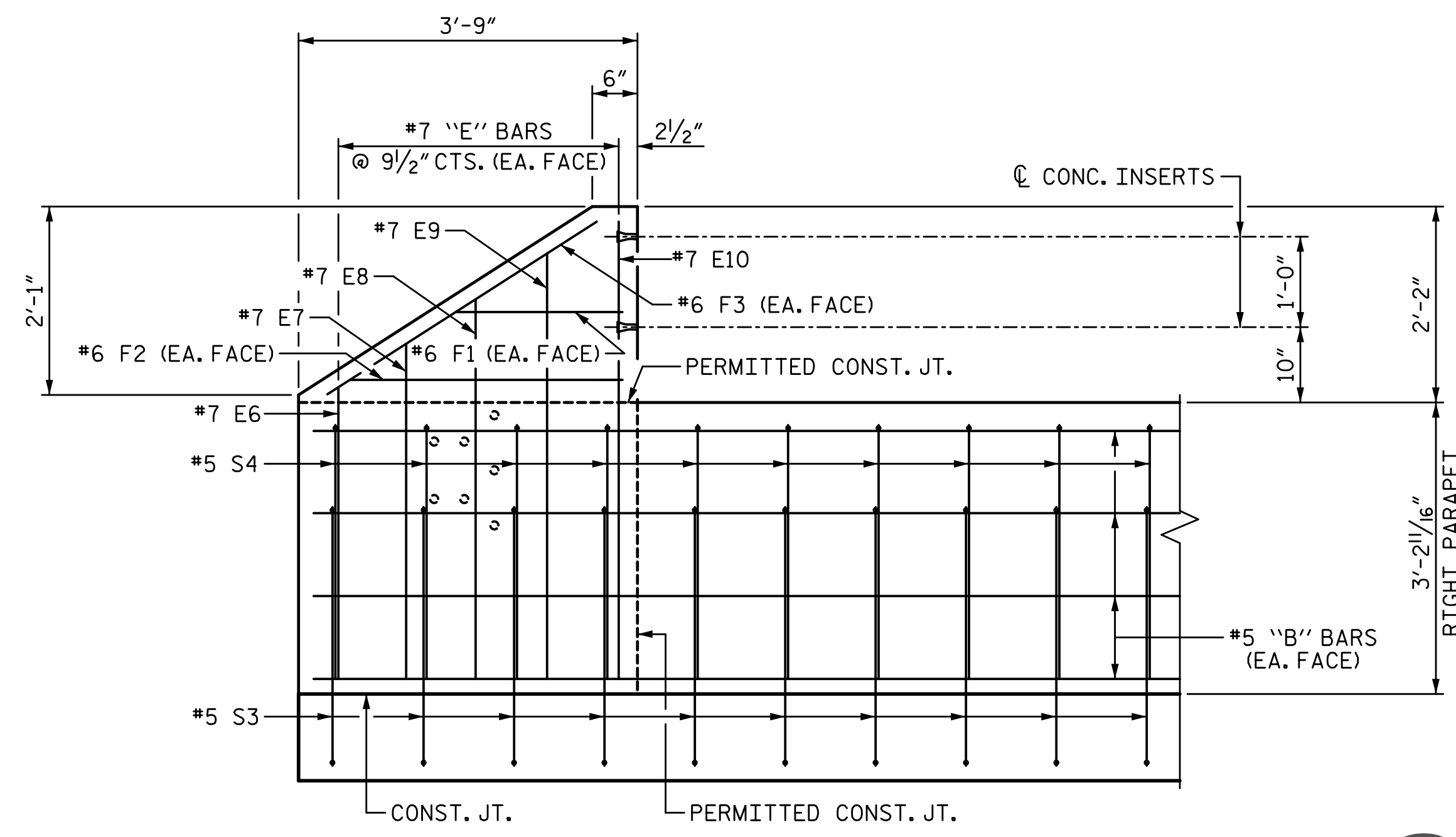
PLAN OF PARAPET



PLAN OF END POST



END VIEW



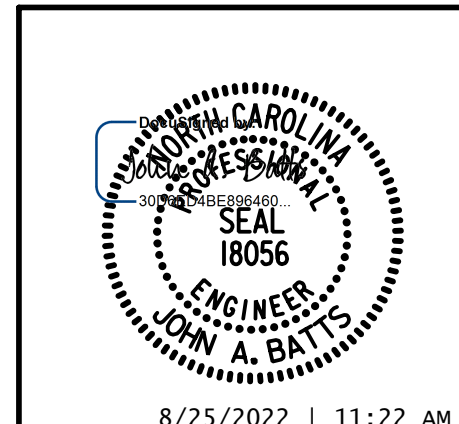
ELEVATION

PARAPET AND END POST FOR TWO BAR METAL RAIL

(SIDEWALK NOT SHOWN FOR CLARITY)

PROJECT NO. Y-4810K
CABARRUS COUNTY
 STATION: 31+94.08 -L-
 SHEET 3 OF 3

STATE OF NORTH CAROLINA
 DEPARTMENT OF TRANSPORTATION
 RALEIGH
 SUPERSTRUCTURE
 CONCRETE PARAPET
 DETAILS
 (RIGHT SIDE)



REVISIONS				SHEET NO.	
NO.	BY:	DATE:	NO.	BY:	DATE:
1			3		
2			4		
					TOTAL SHEETS
					53

8/25/2022 2:05:01 PM P:\Raleigh\Projects\2015\Y-4810K (NCDOT_RailDiv)\Structures\Drawings\Final\Y-4810K_SMU_BR.dgn

DRAWN BY: S.D. COOPER DATE: 2-19
 CHECKED BY: J. A. BATTS DATE: 2-19
 DESIGN ENGINEER OF RECORD: J. A. BATTS DATE: 2-19

DOCUMENT NOT CONSIDERED FINAL
 UNLESS ALL SIGNATURES COMPLETED