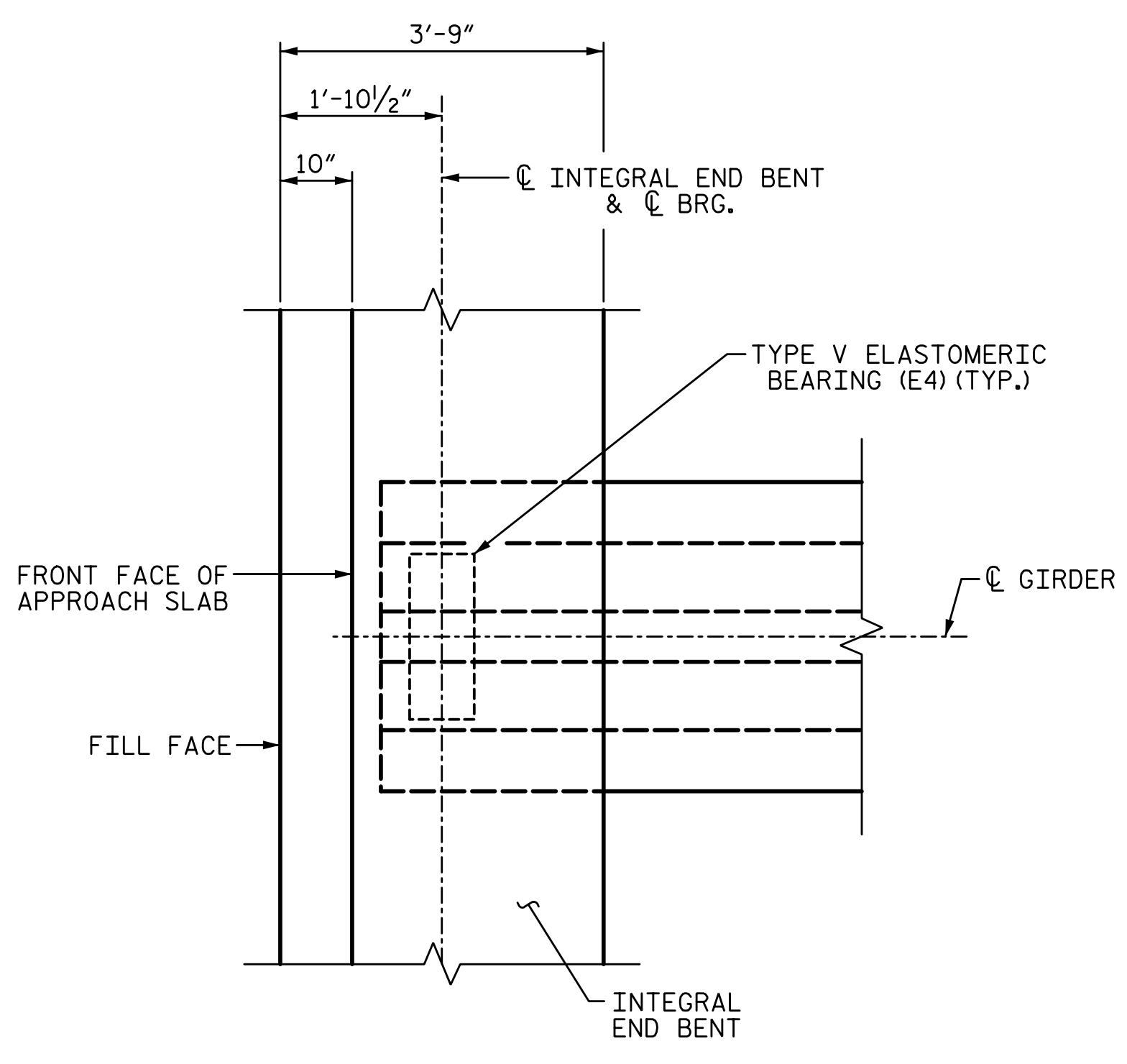
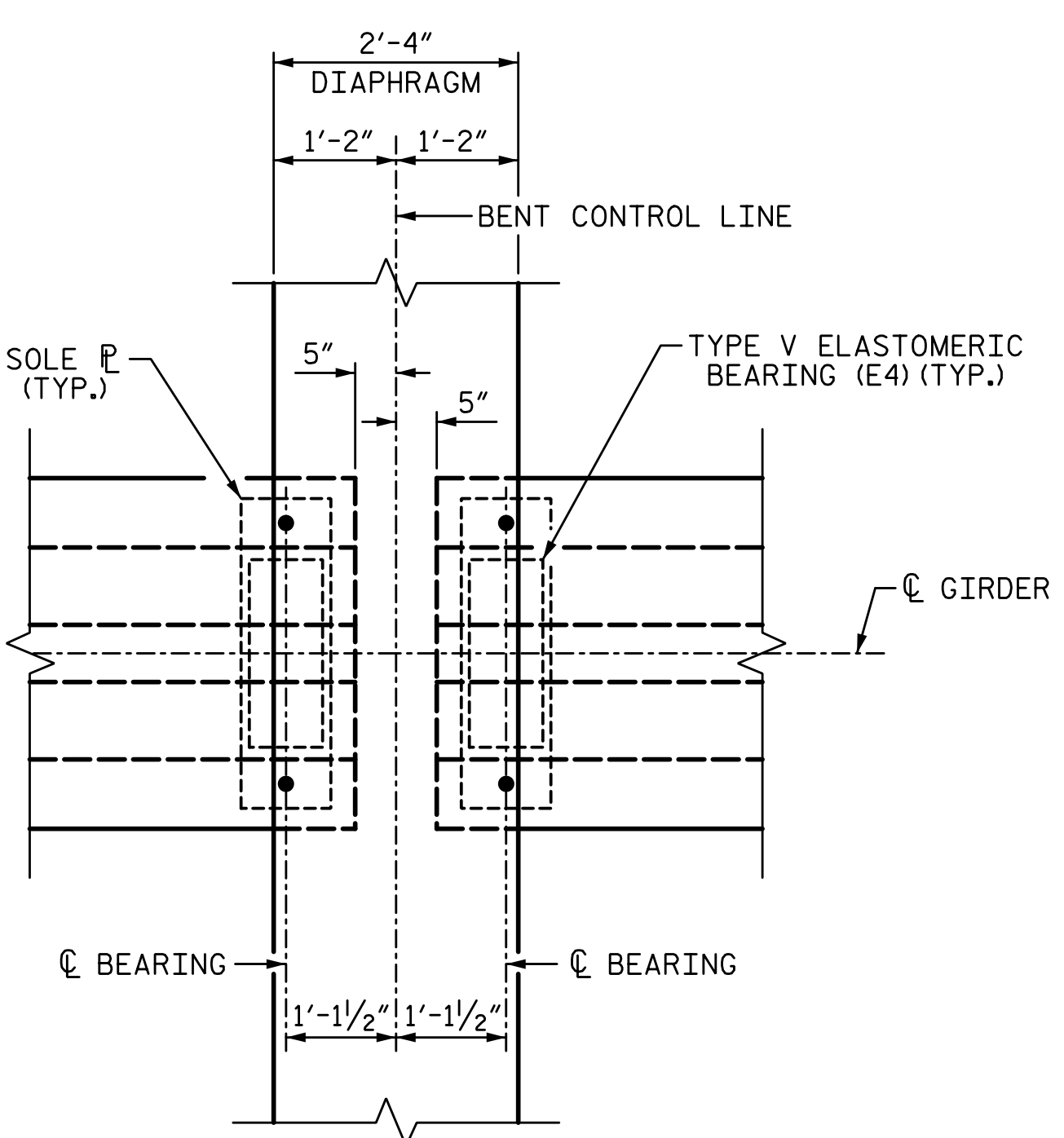


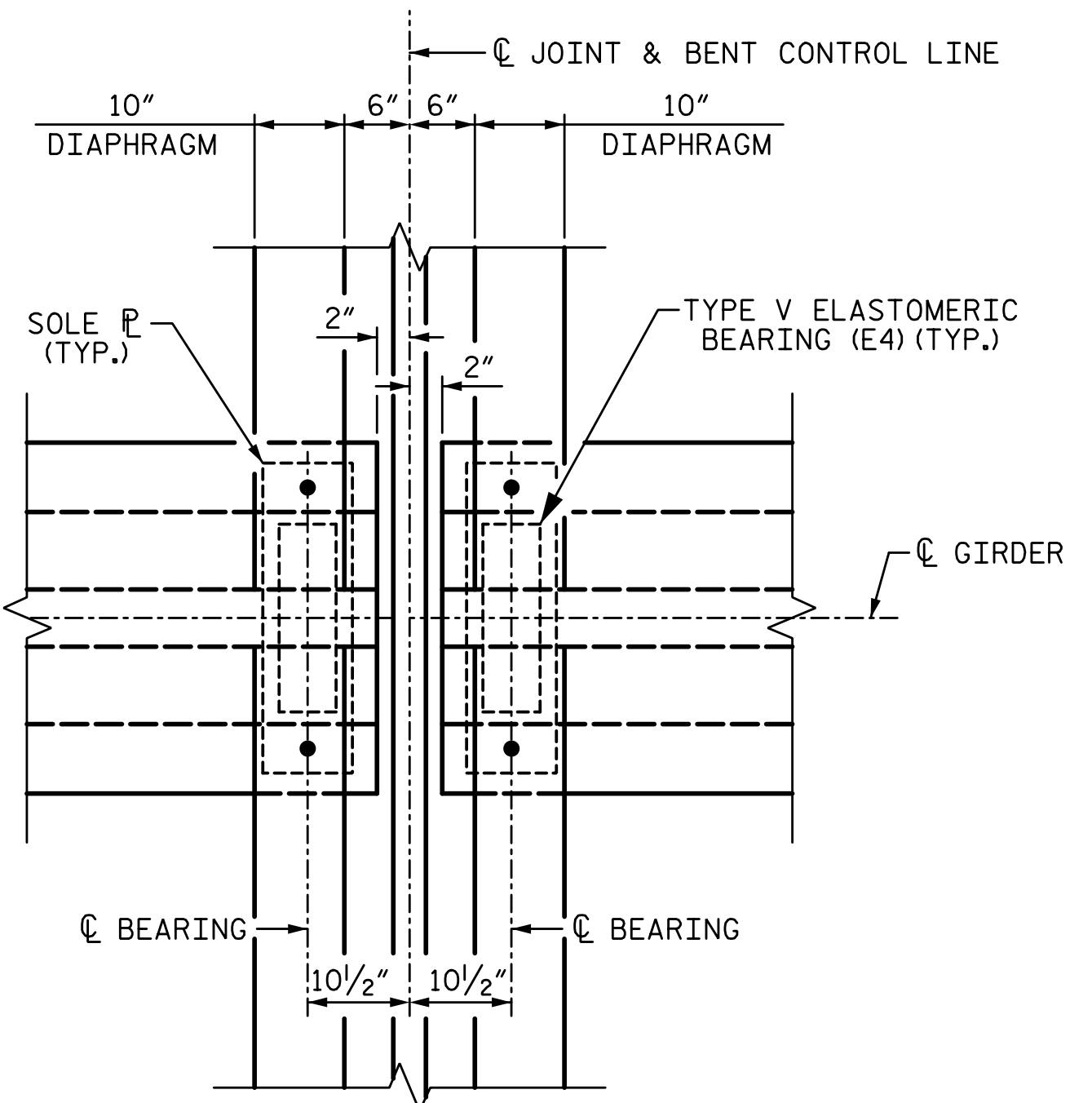
8/25/2022 2:04:52 PM P:\Raleigh\Projects\2015\Y-4810K (NCDOT RailDiv)\Structures\Drawings\Final\Y4810K_SMU_TS.dgn



END BENT DIAPHRAGM
(END BENT 1 SHOWN, END BENT 2 SIMILAR)

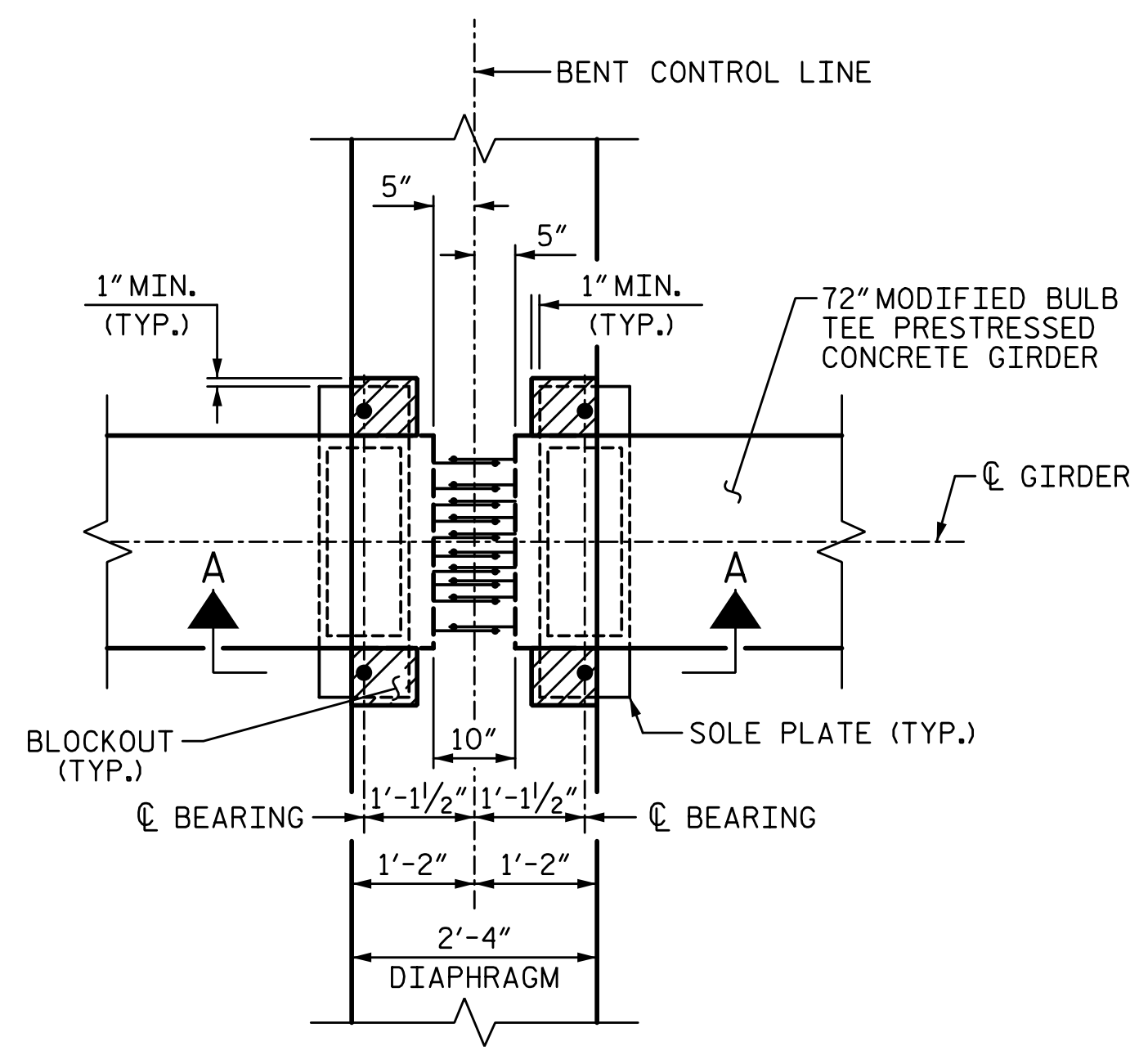


CONTINUOUS BENT DIAPHRAGM
(@ BENTS 1 & 3)

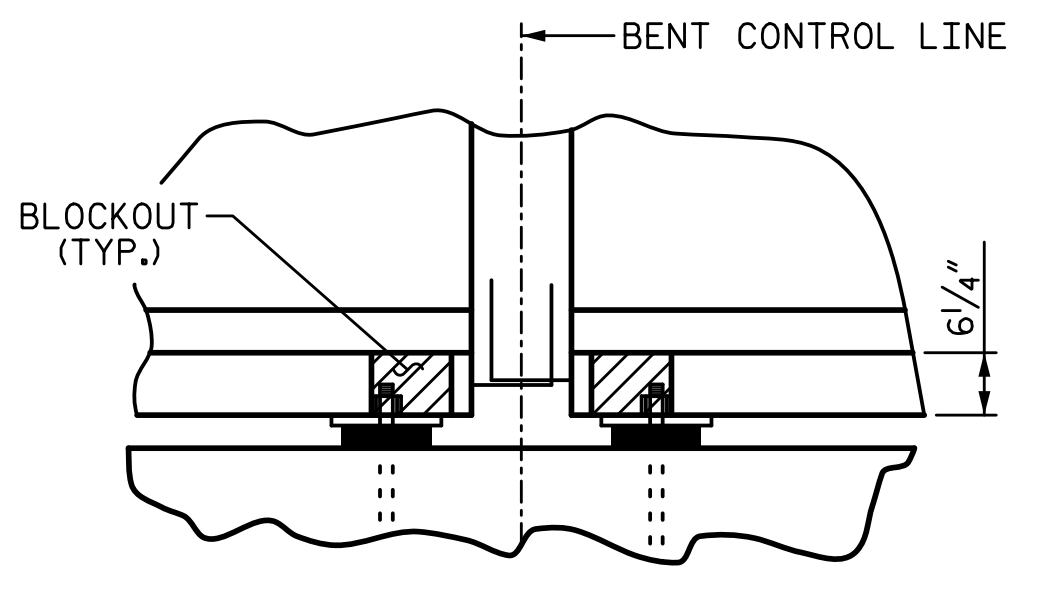


BENT DIAPHRAGM
(@ BENT 2)

PLAN OF DIAPHRAGMS



PLAN



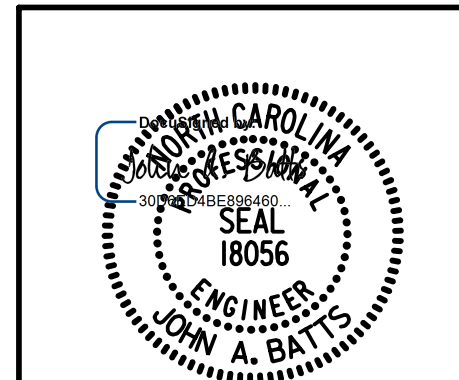
SECTION A-A

CONTINUOUS BENT DIAPHRAGM BLOCK-OUT DETAIL
(@ BENTS 1 & 3)

PROJECT NO. Y-4810K
CABARRUS COUNTY
STATION: 31+94.08 -L-

SHEET 5 OF 5

STATE OF NORTH CAROLINA
DEPARTMENT OF TRANSPORTATION
RALEIGH
SUPERSTRUCTURE
**TYPICAL SECTION
DETAILS**



8/25/2022 11:22 AM

DRAWN BY: J.R. SEALEY	DATE: 2-19
CHECKED BY: J. A. BATTS	DATE: 2-19
DESIGN ENGINEER OF RECORD: J. A. BATTS	DATE: 2-19

REVISIONS						SHEET NO.
NO.	BY:	DATE:	NO.	BY:	DATE:	S-12
1			3			TOTAL SHEETS
2			4			53

**DOCUMENT NOT CONSIDERED FINAL
UNLESS ALL SIGNATURES COMPLETED**