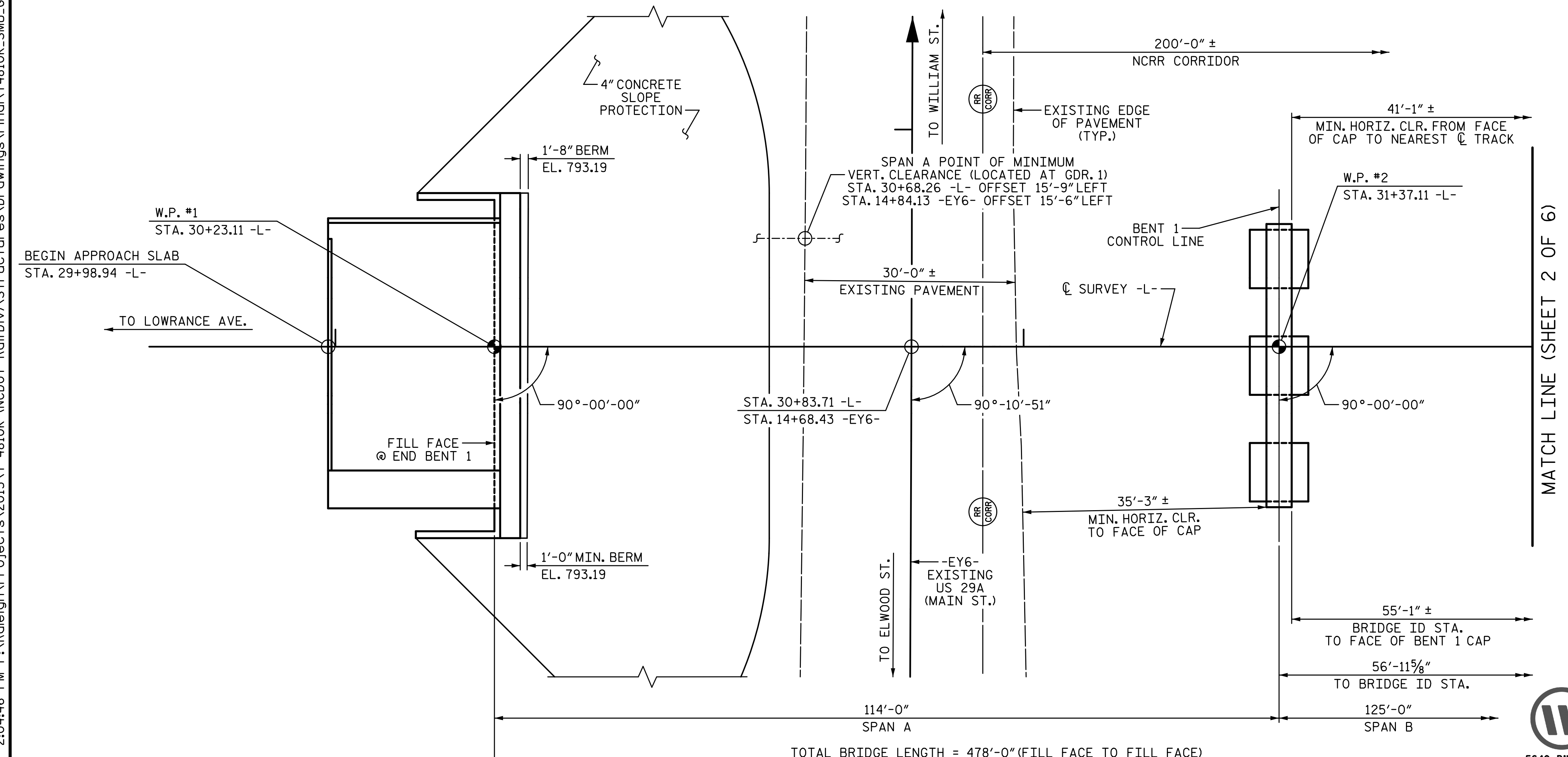


(+)6.7595% (-)6.6871%

PVI STA. 34+15.00
EL. = 831.95
VC = 1130'

GRADE DATA -L-

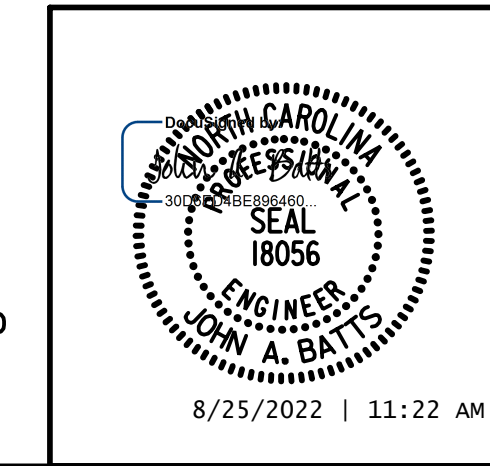
8/25/2022 2:04:46 PM P:\Raleigh\Projects\2015\Y-4810K (NCDOT RailDiv)\Structures\Drawings\Final\Y4810K_SMU_GD.dgn



PART PLAN

(PILES AND COLUMNS NOT SHOWN IN PLAN VIEW)

DRAWN BY: S.D. COOPER	DATE: 2-19
CHECKED BY: J. A. BATTS	DATE: 2-19
DESIGN ENGINEER OF RECORD: J. A. BATTS	DATE: 2-19



PROJECT NO. Y-4810K
CABARRUS COUNTY
STATION: 31+94.08 -L-
14+65.50 -Y7-
SHEET 1 OF 6 BRIDGE #407

MILE POST 350.73
STATE OF NORTH CAROLINA
DEPARTMENT OF TRANSPORTATION
RALEIGH
GENERAL DRAWING
FOR BRIDGE ON ROGERS LAKE RD.
OVER US 29A (MAIN ST.), NCCR (NS)
AND S. RIDGE AVE. BETWEEN
LOWRANCE AVE. AND MEADOW AVE.

REVISIONS						SHEET NO.
NO.	BY:	DATE:	NO.	BY:	DATE:	S-2
1			3			TOTAL SHEETS
2			4			53

DOCUMENT NOT CONSIDERED FINAL
UNLESS ALL SIGNATURES COMPLETED