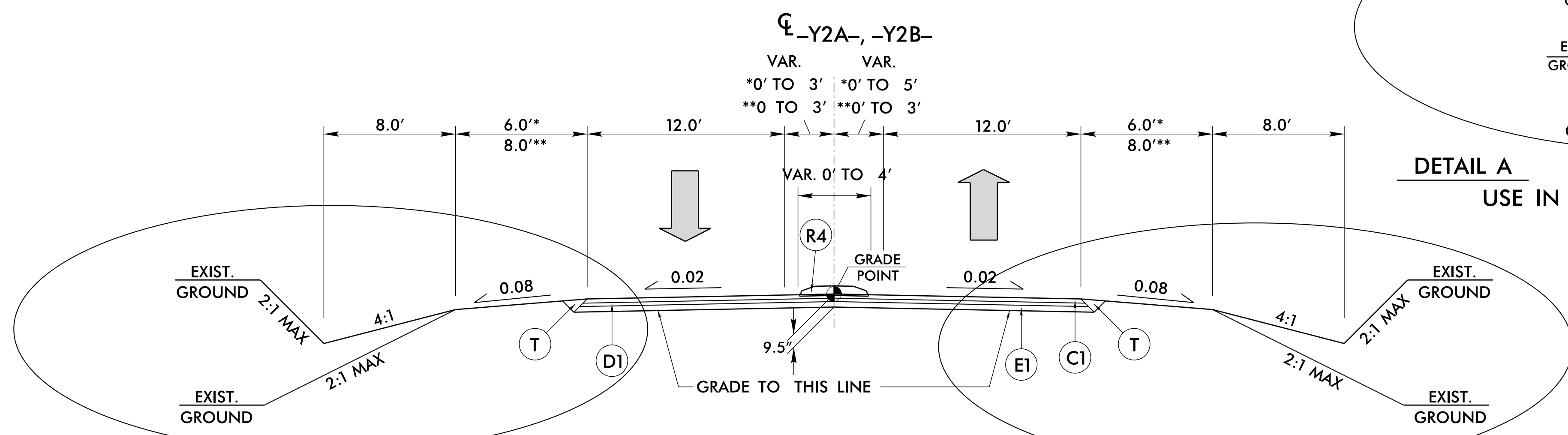


5/14/99

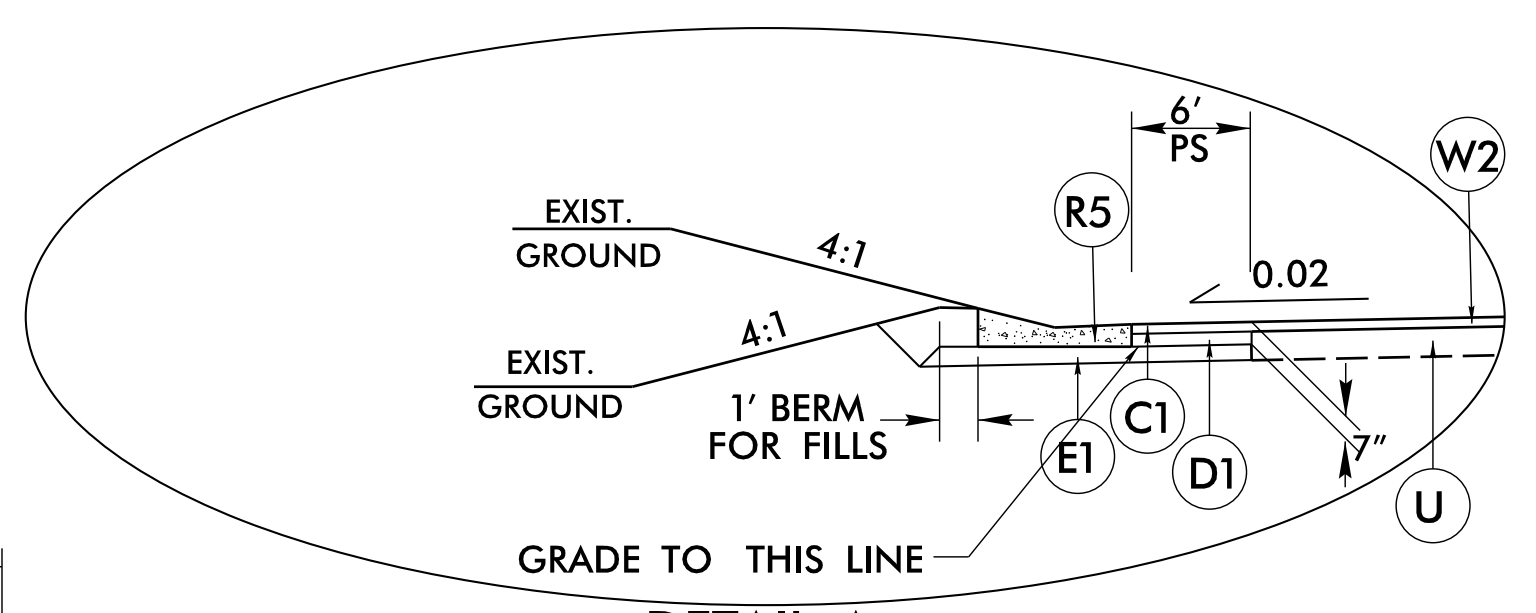
PROJECT REFERENCE NO. Y-4810K	SHEET NO. 2A-4
RW SHEET NO.	
ROADWAY DESIGN ENGINEER 	PAVEMENT DESIGN ENGINEER
<p>DOCUMENT NOT CONSIDERED FINAL UNLESS ALL SIGNATURES COMPLETED</p> <p>Prepared in the Office of: M MOTT MACDONALD I & E, LLC 7621 Purfoy Road, Suite 115 Fuquay-Varina, NC 27526 www.mottmac.com/north-america</p>	



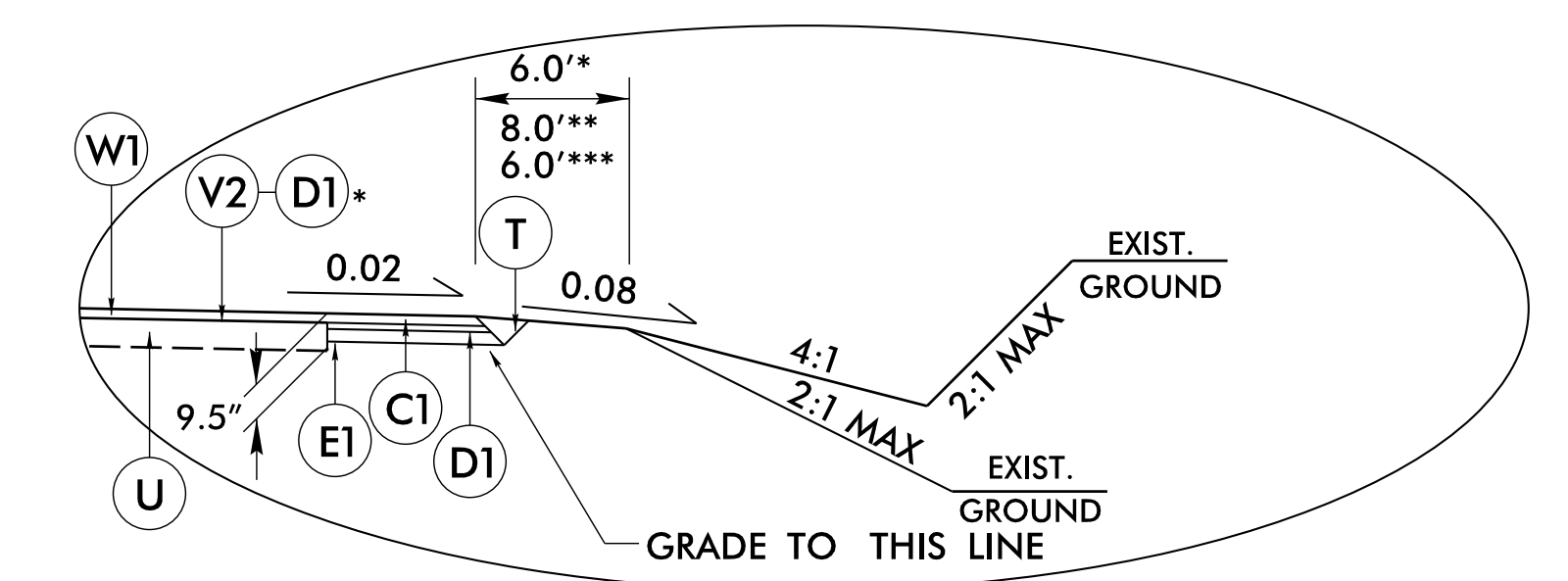
TYPICAL SECTION NO. 5
 USE TYPICAL SECTION NO. 5:
 *-Y2A- STA 12+50.00 TO 18+76.26
 **-Y2B- STA 11+04.00 TO 16+00.00

SEE DETAIL A
 SEE DETAIL B

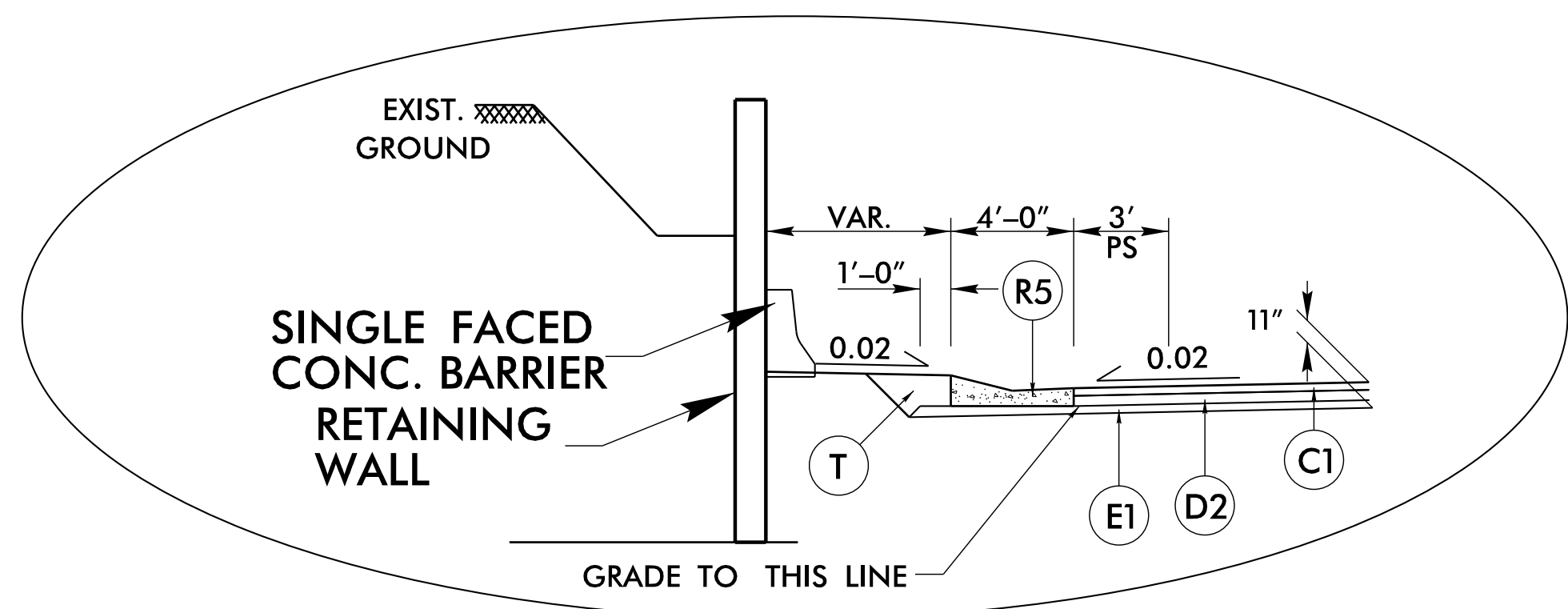
NOTES:
 -SEE PLANS FOR LOCATION OF TURN LANES AND TAPERS
 -SEE PLANS FOR INTERSECTION TURNOUTS
 -SEE PLANS FOR LOCATIONS OF ISLANDS



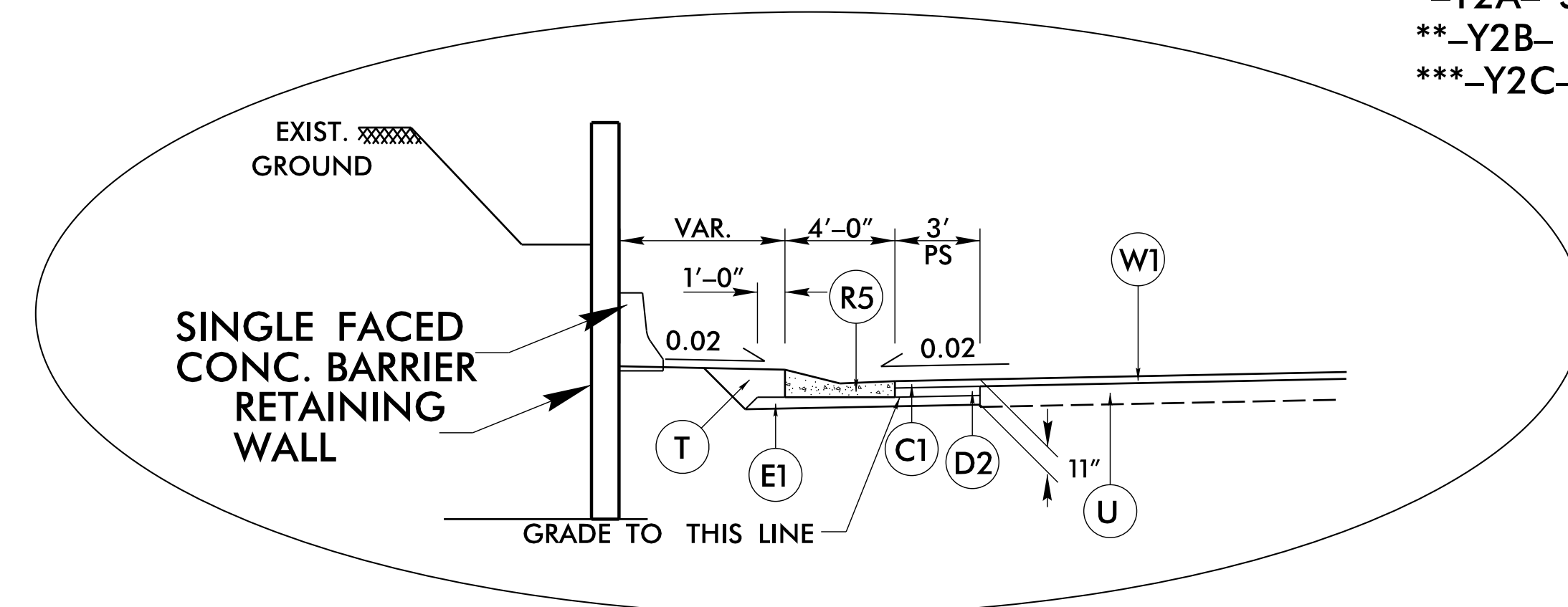
DETAIL A
 USE IN CONJUNCTION WITH TYPICAL SECTION NO. 5
 -Y2B- STA 14+00.00 TO 15+50.00 LT



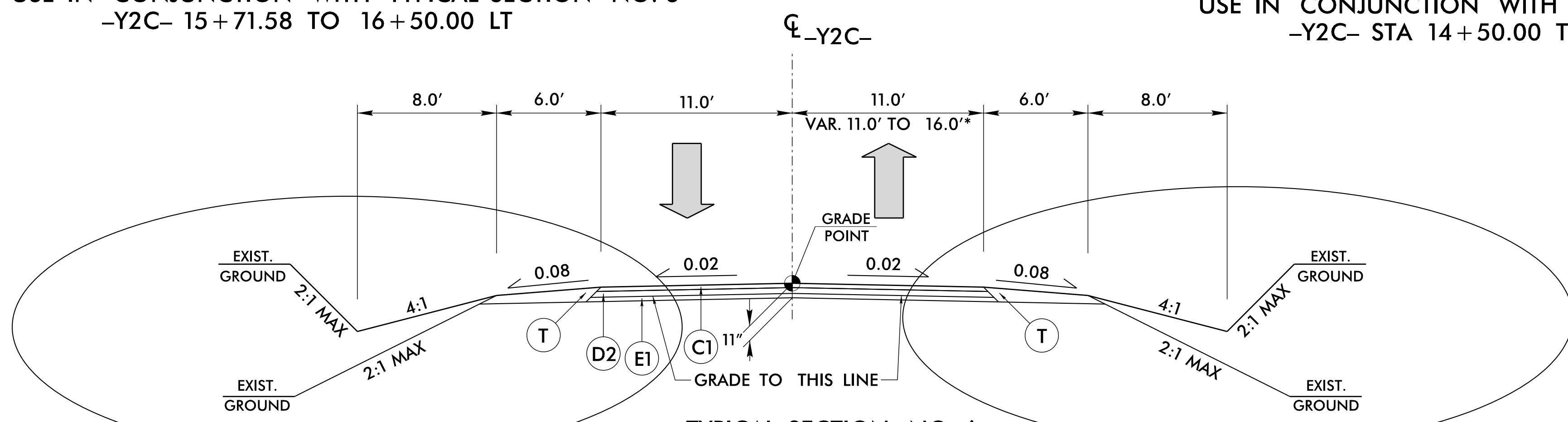
DETAIL B
 USE IN CONJUNCTION WITH TYPICAL SECTION NO. 5
 *-Y2A- STA 12+50.00 TO 15+45.61 LT&RT
 **-Y2B- STA 14+50.00 TO 16+00.00 LT&RT
 ***-Y2C- STA 14+00.00 TO 15+71.58 RT



DETAIL C
 USE IN CONJUNCTION WITH TYPICAL SECTION NO. 6
 -Y2C- 15+71.58 TO 16+50.00 LT



DETAIL D
 USE IN CONJUNCTION WITH TYPICAL SECTION NO. 6
 -Y2C- STA 14+50.00 TO 15+71.58 LT



TYPICAL SECTION NO. 6
 USE TYPICAL SECTION NO. 6:
 -Y2C- STA 14+60.00 TO 21+61.34

SEE DETAIL C & D
 SEE DETAIL B

A1	7" CONCRETE PAVEMENT
C1	3" S9.5B
C2	VAR. DEPTH S9.5B
D1	2.5" I19.0C
D2	4" I19.0C
D3	VAR. DEPTH I19.0C
E1	4" B25.0C
E2	VAR. DEPTH B25.0C
J	6" ABC
R1	1'-6" CURB AND GUTTER
R2	2'-6" CURB AND GUTTER
R3	9"X18" CURB
R4	5" MON. CONC. IS. (KEY. IN)
R5	EXPRESSWAY GUTTER
S	4" SIDEWALK
T	EARTH MATERIAL
U	EXISTING PAVEMENT
W1	VAR. DEPTH ASPH. PAVE.
W2	VAR. DEPTH ASPH. PAVE.
V1	INCIDENTAL MILLING
V2	2.5" MILLING

NOTE: PAVEMENT EDGE SLOPES ARE 1:1 UNLESS SHOWN OTHERWISE.

R:\22322\FY11\01\Y4810K_r.dwg - tujp.dgn