

SIGN NUMBER: SP13107
 TYPE: STATIONARY
 QUANTITY: SEE PLANS

BACKG COLOR: Fluorescent Orange
 COPY COLOR: Black

DESIGN BY: B. RASHID
 PROJECT ID:

CHECKED BY: AIA
 DIV:

DATE: Apr 26, 2013

SIGN WIDTH: 4'-0"
 HEIGHT: 4'-0"
 TOTAL AREA: 16.00 Sq.Ft.

| SYMBOL | X | Y | WID | HT |
|--------|---|---|-----|----|
| | | | | |
| | | | | |
| | | | | |
| | | | | |
| | | | | |
| | | | | |
| | | | | |
| | | | | |

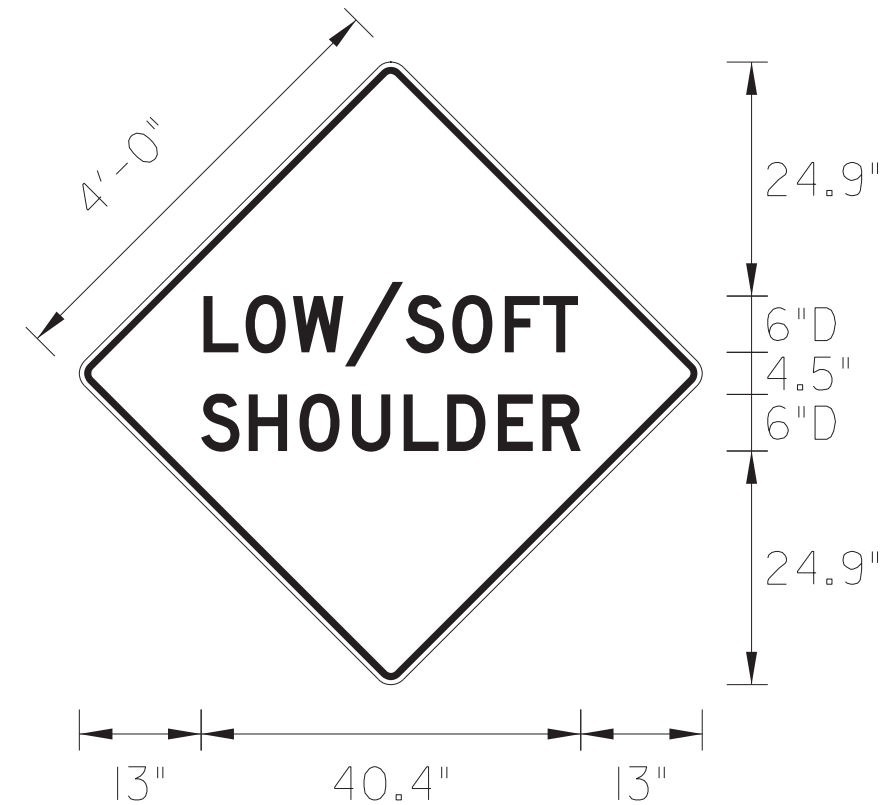
BORDER TYPE: INSET
 RECESS: 0.75"
 WIDTH: 1.25"
 RADII: 3"

MAT'L: 0.080" (2.0 mm) ALUMINUM

NO. Z BARS:
 LENGTH:

USE NOTES: 1,2

- Legend and border shall be direct applied black non-reflective sheeting.
- Background shall be NC GRADE B fluoesent orange retroreflective sheeting.



Spacing Factor is 1 unless specified otherwise

LETTER POSITIONS

| Letter spacings are to start of next letter | | | | | | | | | | | Series/Size | |
|---|-----|-----|-----|-----|-----|-----|-----|-----|------|--|-------------|--------|
| | | | | | | | | | | | Text Length | |
| | L | O | W | / | S | O | F | T | | | | D 2000 |
| 13.2 | 4.5 | 5 | 5.5 | 6.5 | 5 | 5.6 | 4.1 | 3.7 | 13.2 | | | 39.9 |
| | S | H | O | U | L | D | E | R | | | | D 2000 |
| 13 | 5.1 | 5.4 | 5.6 | 5.5 | 4.6 | 5.4 | 4.7 | 4.1 | 13 | | | 40.4 |
| | | | | | | | | | | | | |
| | | | | | | | | | | | | |
| | | | | | | | | | | | | |
| | | | | | | | | | | | | |
| | | | | | | | | | | | | |