



7/12/2022

**DOCUMENT NOT CONSIDERED FINAL
UNLESS ALL SIGNATURES COMPLETED**

HDR HDR Engineering, Inc. of the Carolinas
555 Fayetteville St. Suite 900 Raleigh, N.C. 27601
N.C.B.E.L.S. License Number: F-0116

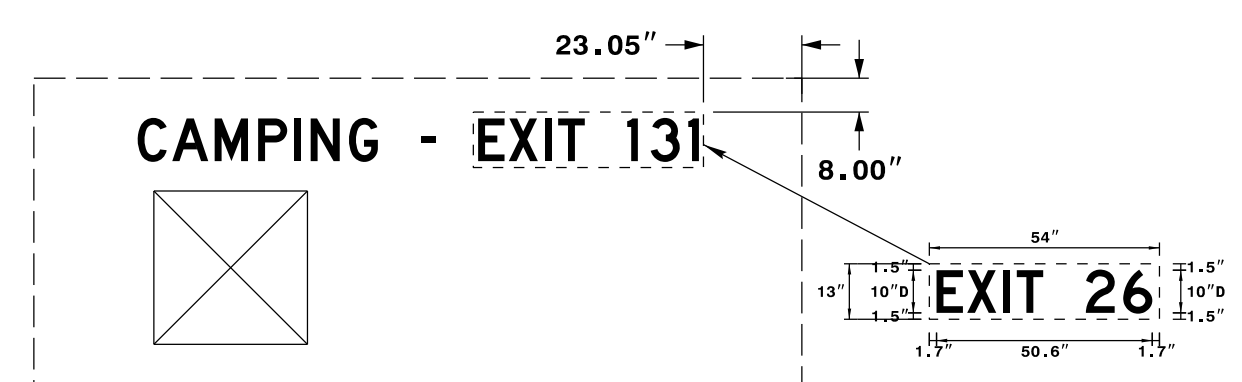
SIGN NUMBER: 614 & 616
TYPE: Overlay
QUANTITY: 2
SIGN WIDTH: 4'-6"
HEIGHT: 1'-1"
TOTAL AREA: 4.9 Sq.Ft.

BACKG COLOR: Blue
COPY COLOR: White

SYMBOL	X	Y	WID	HT

MAT'L: 0.063" (1.6 mm) ALUMINUM

DESIGN BY: R DRAYTON
PROJECT ID: U-2579AA
CHECKED BY: R KING
Jun 13, 2022
DIV: 9



USE NOTES: 1 & 2

- Legend shall be direct applied Grade C Sheeting
- Background shall be Grade C reflective sheeting.

Spacing Factor is 1 unless specified otherwise

LETTER POSITIONS

Letter spacings are to start of next letter										Series/Size
E	X	I	T	2	6					Text Length
1.7	7.2	8.5	3.1	6.2	10	8.8	6.8	1.7		D 2000 50.6

FILENAME: U2579AA_I-74_Modification NORTH CAROLINA D.O.T. SIGN DETAIL

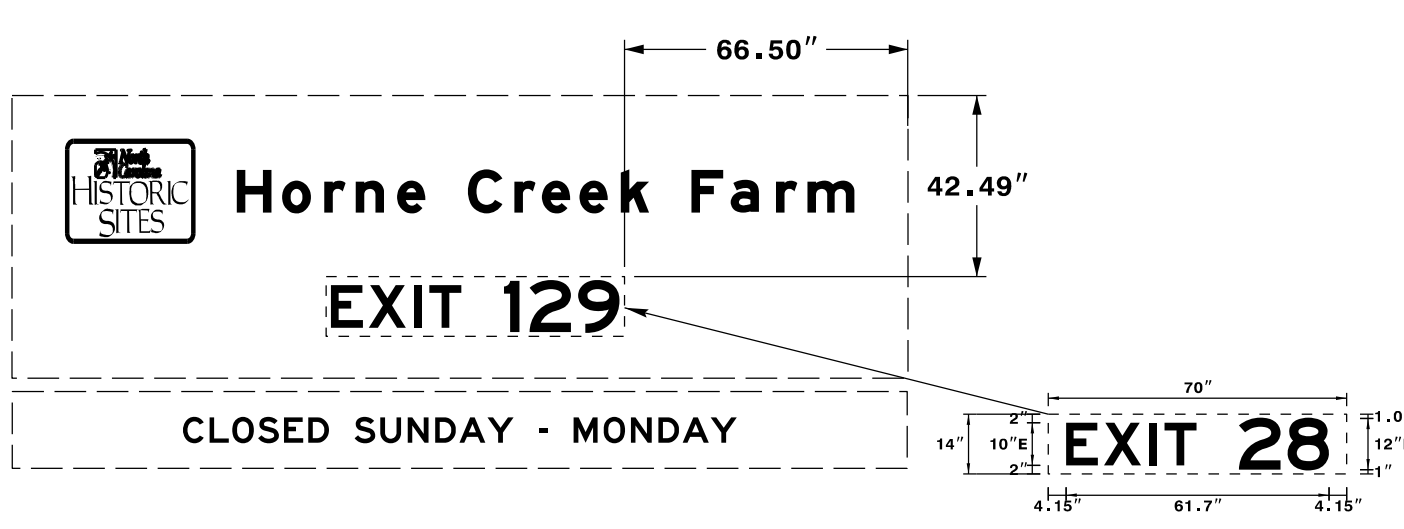
SIGN NUMBER: 617 & 619
TYPE: Overlay
QUANTITY: 2
SIGN WIDTH: 5'-10"
HEIGHT: 1'-2"
TOTAL AREA: 6.8 Sq.Ft.

BACKG COLOR: Brown
COPY COLOR: White

SYMBOL	X	Y	WID	HT

MAT'L: 0.063" (1.6 mm) ALUMINUM

DESIGN BY: R DRAYTON
PROJECT ID: U-2579AA
CHECKED BY: R KING
Jun 13, 2022
DIV: 9



USE NOTES: 1 & 2

- Legend shall be direct applied Grade C Sheeting
- Background shall be Grade C reflective sheeting.

Spacing Factor is 1 unless specified otherwise

LETTER POSITIONS

Letter spacings are to start of next letter										Series/Size
E	X	I	T	2	8					Text Length
4.1	8.9	10.7	3.5	7.5	10	11.4	9.7	4.1		E 2000 61.7

FILENAME: U2579AA_I-74_Modification NORTH CAROLINA D.O.T. SIGN DETAIL

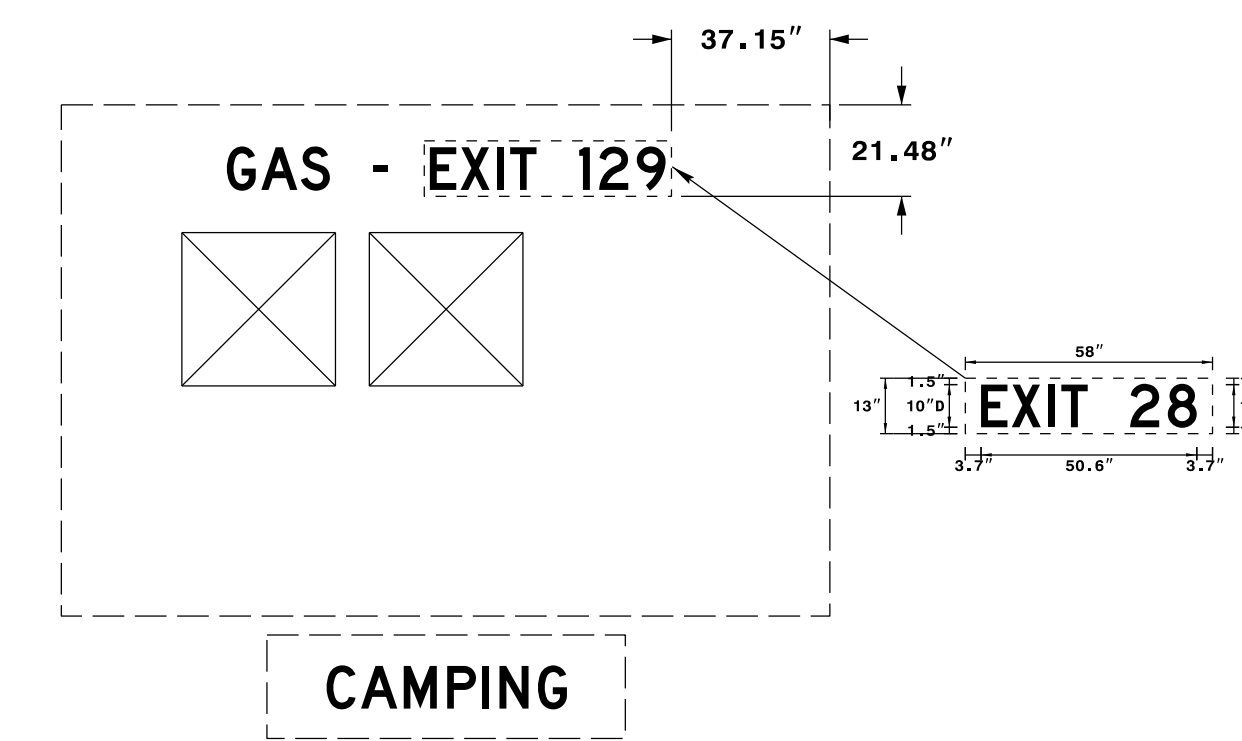
SIGN NUMBER: 618 & 620
TYPE: Overlay
QUANTITY: 2
SIGN WIDTH: 4'-10"
HEIGHT: 1'-1"
TOTAL AREA: 5.2 Sq.Ft.

BACKG COLOR: Blue
COPY COLOR: White

SYMBOL	X	Y	WID	HT

MAT'L: 0.063" (1.6 mm) ALUMINUM

DESIGN BY: R DRAYTON
PROJECT ID: U-2579AA
CHECKED BY: R KING
Jun 13, 2022
DIV: 9



USE NOTES: 1 & 2

- Legend shall be direct applied Grade C Sheeting
- Background shall be Grade C reflective sheeting.

Spacing Factor is 1 unless specified otherwise

LETTER POSITIONS

Letter spacings are to start of next letter										Series/Size
E	X	I	T	2	8					Text Length
3.7	7.2	8.5	3.1	6.2	10	8.8	6.8	3.7		D 2000 50.6

FILENAME: U2579AA_I-74_Modification NORTH CAROLINA D.O.T. SIGN DETAIL

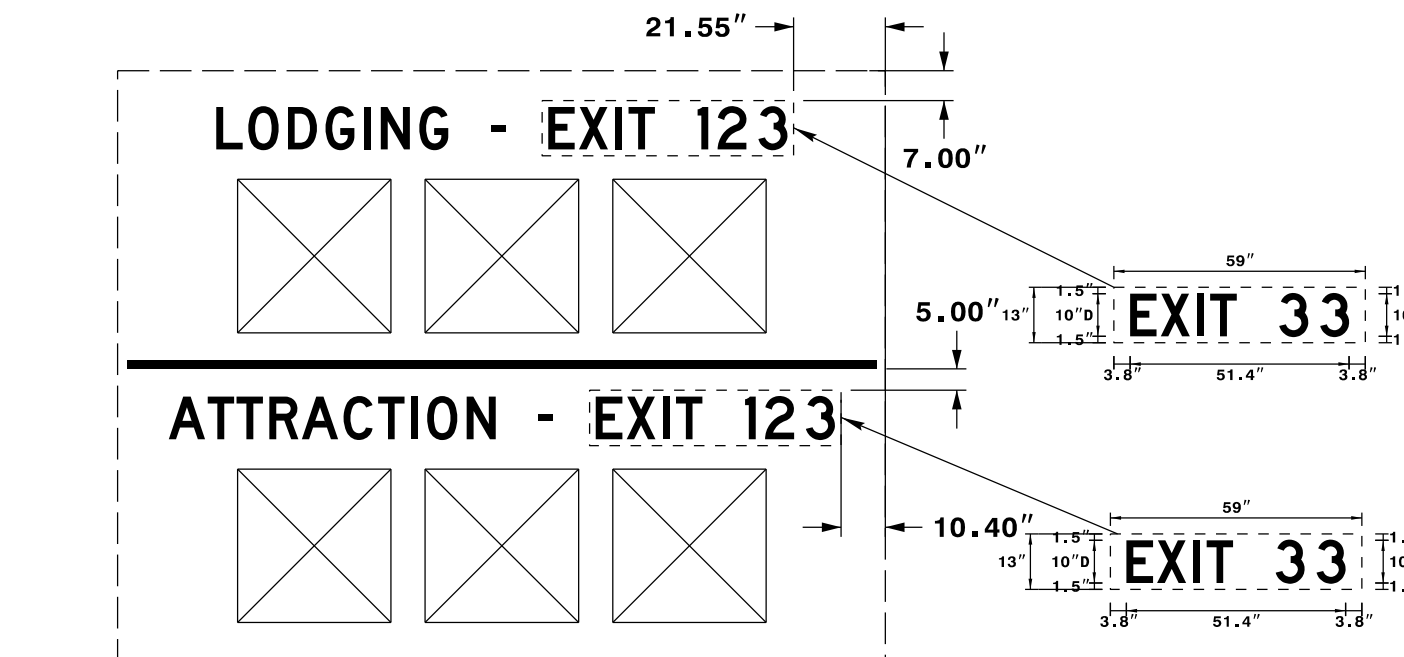
SIGN NUMBER: 621 & 622
TYPE: Overlay
QUANTITY: 2
SIGN WIDTH: 4'-11"
HEIGHT: 1'-1"
TOTAL AREA: 5.3 Sq.Ft.

BACKG COLOR: Blue
COPY COLOR: White

SYMBOL	X	Y	WID	HT

MAT'L: 0.063" (1.6 mm) ALUMINUM

DESIGN BY: R DRAYTON
PROJECT ID: U-2579AA
CHECKED BY: R KING
Jun 13, 2022
DIV: 9



USE NOTES: 1 & 2

- Legend shall be direct applied Grade C Sheeting
- Background shall be Grade C reflective sheeting.

Spacing Factor is 1 unless specified otherwise

LETTER POSITIONS

Letter spacings are to start of next letter										Series/Size
E	X	I	T	3	3					Text Length
3.8	7.2	8.5	3.1	6.2	10	9.6	6.8	3.8		D 2000 51.4

FILENAME: U2579AA_I-74_Modification NORTH CAROLINA D.O.T. SIGN DETAIL