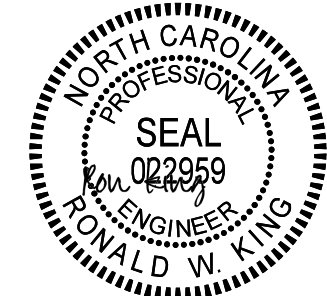



PROJECT REFERENCE NO.	SHEET NO.
U-2579AA	SIGN-5KK



7/12/2022

**DOCUMENT NOT CONSIDERED FINAL
UNLESS ALL SIGNATURES COMPLETED**



HDR Engineering, Inc. of the Carolinas
555 Fayetteville St. Suite 900 Raleigh, N.C. 27601
N.C.B.E.L.S. License Number: F-0116

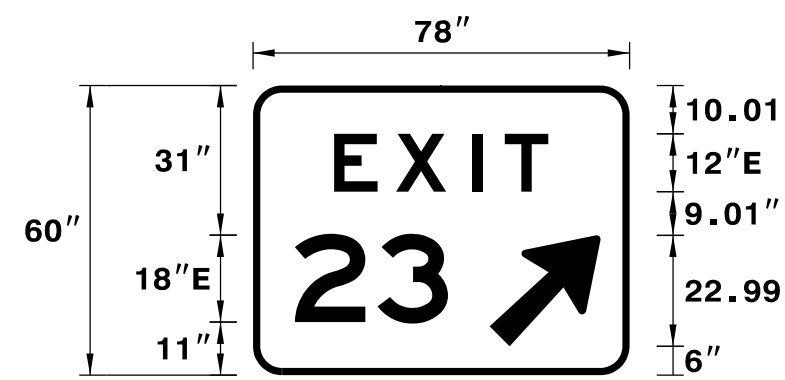
SIGN NUMBER: 221 & 222
TYPE: A
QUANTITY: 2
SIGN WIDTH: 6'-6"
HEIGHT: 5'-0"
TOTAL AREA: 32.5 Sq.Ft.
BORDER TYPE: FLUSH
RECESS: 0"
WIDTH: 1.5"
RADIUS: 6"
NO. Z BARS: 2
LENGTH: 70.0

BACKG COLOR: Green
COPY COLOR: White

SYMBOL	X	Y	WID	HT
AR_Type A	49	6	18.3	29.3

MAT'L: 0.125" (3.2 mm) ALUMINUM

DESIGN BY: R DRAYTON
CHECKED BY: R KING
Jun 10, 2022
DIV: 9



BORDER R=6" TH=1.5"

INCREASE "EXIT" SPACING BY 2.25
Spacing Factor is 1 unless specified otherwise

LETTER POSITIONS

Letter spacings are to start of next letter

E	X	I	T	Series/Size	Text Length
16.8	12.8	15.8	6.8	9	16.8
2	3			E 2000	44.4
8.7	17.1	14.6	37.6	E 2000	31.7

FILENAME: U2579AA_I-74_Modification NORTH CAROLINA D.O.T. SIGN DETAIL

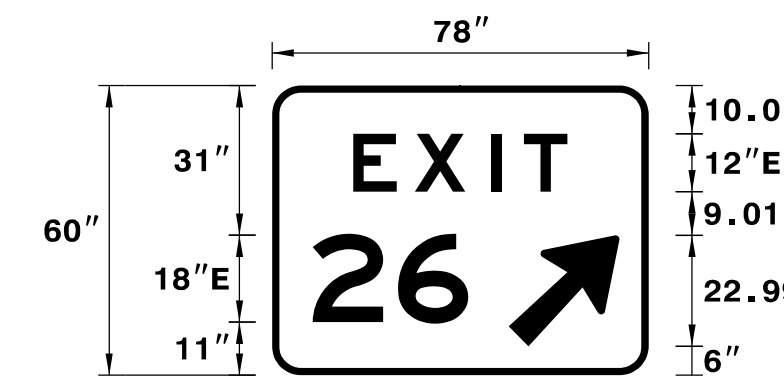
SIGN NUMBER: 223 & 224
TYPE: A
QUANTITY: 2
SIGN WIDTH: 6'-6"
HEIGHT: 5'-0"
TOTAL AREA: 32.5 Sq.Ft.
BORDER TYPE: FLUSH
RECESS: 0"
WIDTH: 1.5"
RADIUS: 6"
NO. Z BARS: 2
LENGTH: 70.0

BACKG COLOR: Green
COPY COLOR: White

SYMBOL	X	Y	WID	HT
AR_Type A	49	6	18.3	29.3

MAT'L: 0.125" (3.2 mm) ALUMINUM

DESIGN BY: R DRAYTON
CHECKED BY: R KING
Jun 10, 2022
DIV: 9



BORDER R=6" TH=1.5"

INCREASE "EXIT" SPACING BY 2.25
Spacing Factor is 1 unless specified otherwise

LETTER POSITIONS

Letter spacings are to start of next letter

E	X	I	T	Series/Size	Text Length
16.8	12.8	15.8	6.8	9	16.8
2	3			E 2000	44.4
8.4	17.6	14.6	37.4	E 2000	32.2

FILENAME: U2579AA_I-74_Modification NORTH CAROLINA D.O.T. SIGN DETAIL


SIGN NUMBER: 225 & 226
TYPE: A
QUANTITY: 2
SIGN WIDTH: 6'-6"
HEIGHT: 5'-0"
TOTAL AREA: 32.5 Sq.Ft.
BORDER TYPE: FLUSH
RECESS: 0"
WIDTH: 1.5"
RADIUS: 6"
NO. Z BARS: 2
LENGTH: 70.0

BACKG COLOR: Green
COPY COLOR: White

SYMBOL	X	Y	WID	HT
AR_Type A	49	6	18.3	29.3

MAT'L: 0.125" (3.2 mm) ALUMINUM

DESIGN BY: R DRAYTON
CHECKED BY: R KING
Jun 10, 2022
DIV: 9



BORDER R=6" TH=1.5"

INCREASE "EXIT" SPACING BY 2.25
Spacing Factor is 1 unless specified otherwise

LETTER POSITIONS

Letter spacings are to start of next letter

E	X	I	T	Series/Size	Text Length
16.8	12.8	15.8	6.8	9	16.8
2	8			E 2000	44.4
8.7	17.1	14.6	37.6	E 2000	31.7

FILENAME: U2579AA_I-74_Modification NORTH CAROLINA D.O.T. SIGN DETAIL

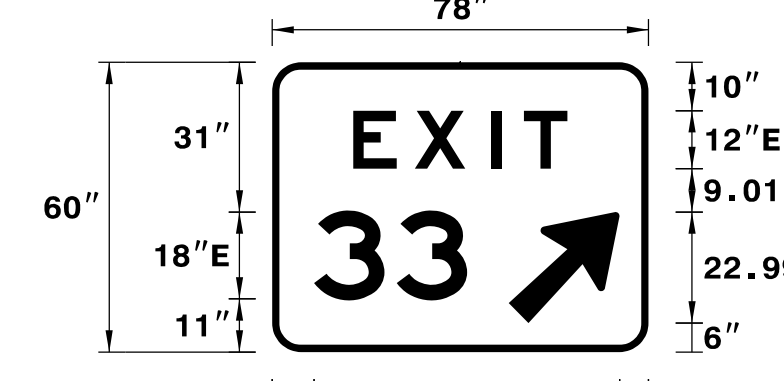
SIGN NUMBER: 227 & 228
TYPE: A
QUANTITY: 2
SIGN WIDTH: 6'-6"
HEIGHT: 5'-0"
TOTAL AREA: 32.5 Sq.Ft.
BORDER TYPE: FLUSH
RECESS: 0"
WIDTH: 1.5"
RADIUS: 6"
NO. Z BARS: 2
LENGTH: 70.0

BACKG COLOR: Green
COPY COLOR: White

SYMBOL	X	Y	WID	HT
AR_Type A	49	6	18.3	29.3

MAT'L: 0.125" (3.2 mm) ALUMINUM

DESIGN BY: R DRAYTON
CHECKED BY: R KING
Jun 10, 2022
DIV: 9



BORDER R=6" TH=1.5"

INCREASE "EXIT" SPACING BY 2.25
Spacing Factor is 1 unless specified otherwise

LETTER POSITIONS

Letter spacings are to start of next letter

E	X	I	T	Series/Size	Text Length
16.8	12.8	15.8	6.8	9	16.8
3	3			E 2000	44.4
8.7	17.1	14.6	37.6	E 2000	31.7

FILENAME: U2579AA_I-74_Modification NORTH CAROLINA D.O.T. SIGN DETAIL

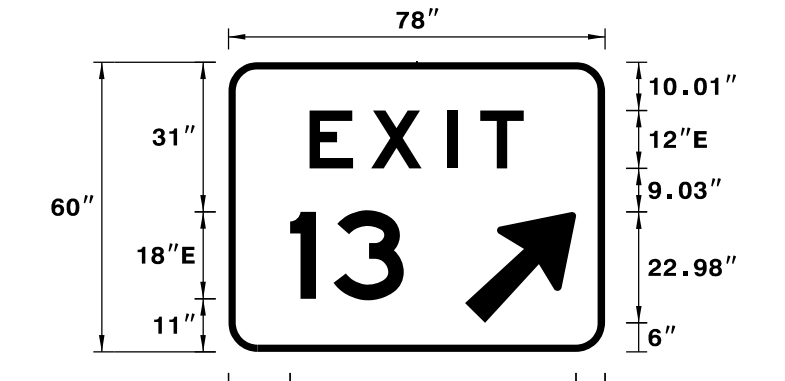
SIGN NUMBER: 233 & 234
TYPE: A
QUANTITY: 2
SIGN WIDTH: 6'-6"
HEIGHT: 5'-0"
TOTAL AREA: 32.5 Sq.Ft.
BORDER TYPE: FLUSH
RECESS: 0"
WIDTH: 1.5"
RADIUS: 6"
NO. Z BARS: 2
LENGTH: 70.0

BACKG COLOR: Green
COPY COLOR: White

SYMBOL	X	Y	WID	HT
AR_Type A	49	6	18.2	29.3

MAT'L: 0.125" (3.2 mm) ALUMINUM

DESIGN BY: R DRAYTON
CHECKED BY: R KING
Jun 22, 2022
DIV: 9



BORDER R=6" TH=1.5"

INCREASE "EXIT" SPACING BY 2.25
Spacing Factor is 1 unless specified otherwise

LETTER POSITIONS

Letter spacings are to start of next letter

E	X	I	T	Series/Size	Text Length
16.8	12.8	15.8	6.8	9	16.8
1	3			E 2000	44.4
12.8	9	14.6	41.7	E 2000	23.6

FILENAME: U2579AA_I-74_Modification NORTH CAROLINA D.O.T. SIGN DETAIL

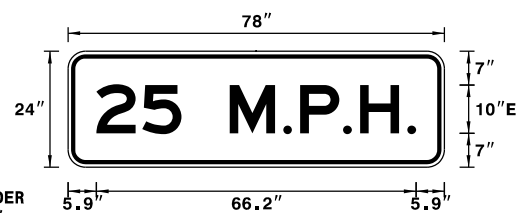
SIGN NUMBER: 232A
TYPE: B
QUANTITY: 1
SIGN WIDTH: 6'-4"
HEIGHT: 5'-0"
TOTAL AREA: 13.0 Sq.Ft.
BORDER TYPE: RECESSED
RECESS: 0.40"
WIDTH: 0.88"
RADIUS: 3"
NO. Z BARS: 1
LENGTH: 70.0

BACKG COLOR: Yellow
COPY COLOR: Black

SYMBOL	X	Y	WID	HT

MAT'L: 0.125" (3.2 mm) ALUMINUM

DESIGN BY: R DRAYTON
CHECKED BY: R KING
Jun 22, 2022
DIV: 9



BORDER R=3" TH=0.88" IM=0.63"

USE NOTES: 1, 2 & 3

1. Legend and border(except those that are colored black) shall be direct applied Grade C sheeting.
2. Background shall be Grade C reflective sheeting.
3. Shields: A, B, and C type arrows shall be on 0.032" (0.8mm) aluminum and decontable.

Spacing Factor is 1 unless specified otherwise

LETTER POSITIONS

Letter spacings are to start of next letter

2	5	M	.	P	.	H	.	Series/Size	Text Length	
9.3	9.3	8.1	10	11.1	3.5	8.3	3.3	9.8	1.8	9.3
								E 2000	66.2	

FILENAME: U2579AA_I-74_Modification NORTH CAROLINA D.O.T. SIGN DETAIL