

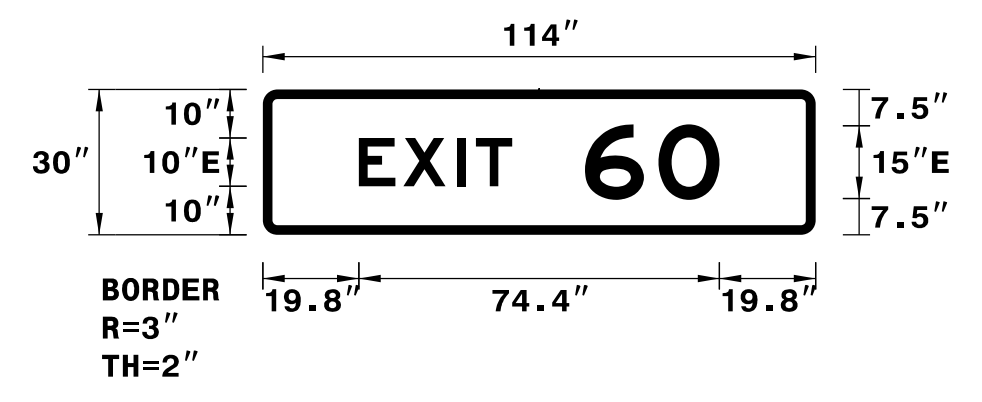
SIGN NUMBER: 27A
TYPE: B
QUANTITY: 1
SIGN WIDTH: 9'-6"
HEIGHT: 2'-6"
TOTAL AREA: 23.8 Sq.Ft.
BORDER TYPE: FLUSH
RECESS: 0"
WIDTH: 2"
RADII: 3"
NO. Z BARS: 2
LENGTH: 106.0

BACKG COLOR: Green
COPY COLOR: White

SYMBOL	X	Y	WID	HT

MAT'L: 0.125" (3.2 mm) ALUMINUM

DESIGN BY: R DRAYTON
PROJECT ID: U-2579AA
CHECKED BY: R KING
Oct 20, 2021
DIV: 9



USE NOTES: 1,2
1. Legend and border(except those that are colored black) shall be direct applied Grade A sheeting.
2. Background shall be Grade C reflective sheeting.

INCREASE "EXIT" SPACING BY 1.20
Spacing Factor is 1 unless specified otherwise

LETTER POSITIONS

Letter spacings are to start of next letter

	E	X	I	T		Series/Size	
						Text Length	
	19.8	9.2	11.1	3.8	7.5	62.6	E 2000
	6	0					31.6
	66.4	15.2	12.6	19.8			E 2000
							27.7

FILENAME: U2579AA_SignDesigns NORTH CAROLINA D.O.T. SIGN DETAIL

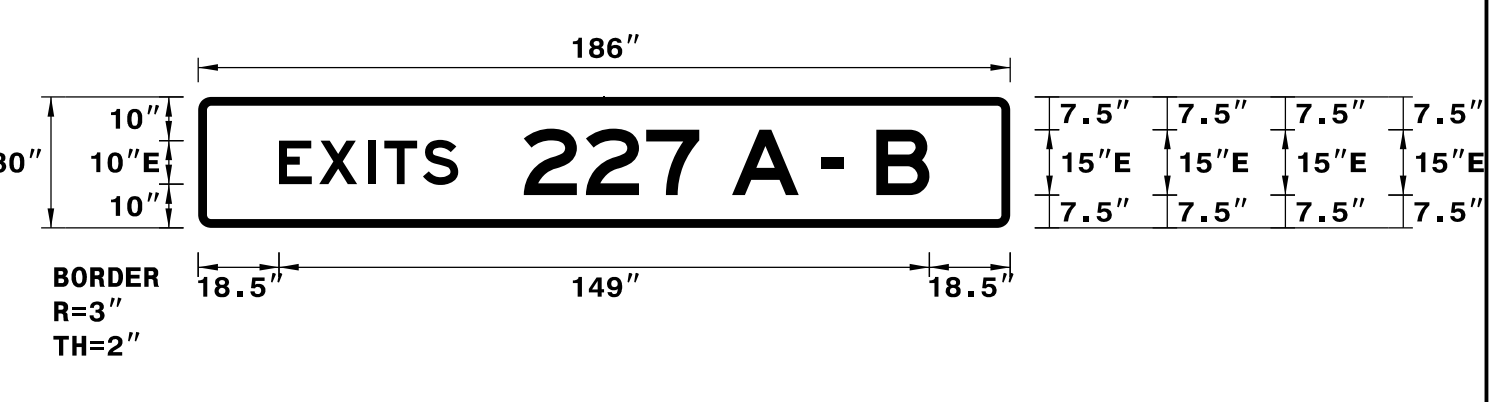
SIGN NUMBER: 35A & 36A
TYPE: A
QUANTITY: 2
SIGN WIDTH: 15'-6"
HEIGHT: 2'-6"
TOTAL AREA: 38.8 Sq.Ft.
BORDER TYPE: FLUSH
RECESS: 0"
WIDTH: 2"
RADII: 3"
NO. Z BARS: 2
LENGTH: 178.0

BACKG COLOR: Green
COPY COLOR: White

SYMBOL	X	Y	WID	HT

MAT'L: 0.125" (3.2 mm) ALUMINUM

DESIGN BY: R DRAYTON
PROJECT ID: U-2579AA
CHECKED BY: R KING
Nov 12, 2021
DIV: 9



USE NOTES: 1,2
1. Legend and border(except those that are colored black) shall be direct applied Grade A sheeting.
2. Background shall be Grade C reflective sheeting.

INCREASE "EXITS" SPACING BY 1.20
Spacing Factor is 1 unless specified otherwise

LETTER POSITIONS

Letter spacings are to start of next letter

	E	X	I	T	S		Series/Size			
							Text Length			
	18.5	9.2	11.1	3.8	8.8	8.1	126.4	E 2000		
	2	2	7		A			41.1		
	74.6	14.3	13.8	12.2	7.5	15.3	5	E 2000		
						5.3	7.5	12.2	18.5	92.9

FILENAME: U2579AA_SignDesigns NORTH CAROLINA D.O.T. SIGN DETAIL

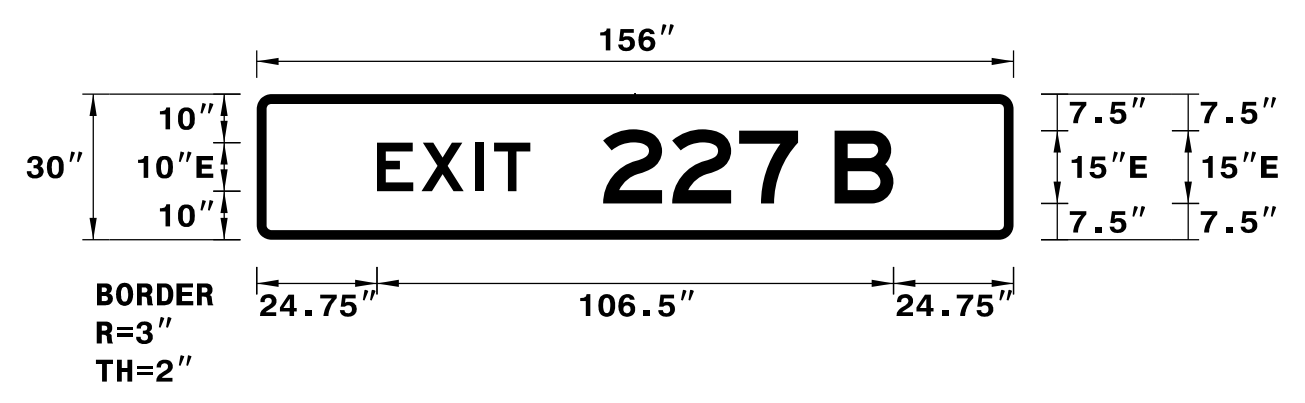
SIGN NUMBER: 37A, 39A & 44A
TYPE: A
QUANTITY: 3
SIGN WIDTH: 13'-0"
HEIGHT: 2'-6"
TOTAL AREA: 32.5 Sq.Ft.
BORDER TYPE: FLUSH
RECESS: 0"
WIDTH: 2"
RADII: 3"
NO. Z BARS: 2
LENGTH: 148.0

BACKG COLOR: Green
COPY COLOR: White

SYMBOL	X	Y	WID	HT

MAT'L: 0.125" (3.2 mm) ALUMINUM

DESIGN BY: R DRAYTON
PROJECT ID: U-2579AA
CHECKED BY: R KING
Oct 20, 2021
DIV: 9



USE NOTES: 1,2
1. Legend and border(except those that are colored black) shall be direct applied Grade A sheeting.
2. Background shall be Grade C reflective sheeting.

INCREASE "EXIT" SPACING BY 1.20
Spacing Factor is 1 unless specified otherwise

LETTER POSITIONS

Letter spacings are to start of next letter

	E	X	I	T		Series/Size		
						Text Length		
	24.8	9.2	11.1	3.8	7.5	99.6	E 2000	
	2	2	7		B		31.6	
	71.4	14.2	13.8	12.2	7.5	12.2	24.8	E 2000
							59.9	

FILENAME: U2579AA_SignDesigns NORTH CAROLINA D.O.T. SIGN DETAIL

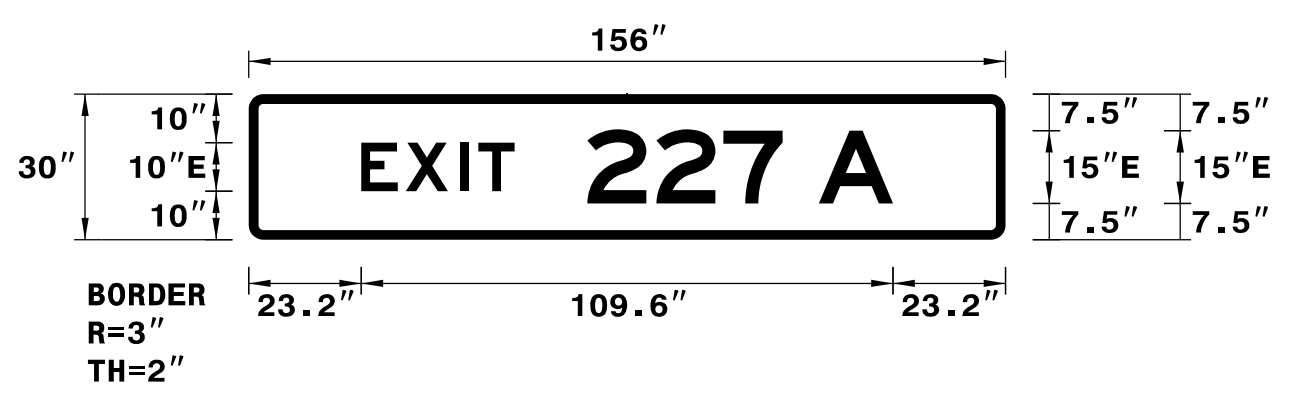
SIGN NUMBER: 38A, 42A & 43A
TYPE: A
QUANTITY: 3
SIGN WIDTH: 13'-0"
HEIGHT: 2'-6"
TOTAL AREA: 32.5 Sq.Ft.
BORDER TYPE: FLUSH
RECESS: 0"
WIDTH: 2"
RADII: 3"
NO. Z BARS: 2
LENGTH: 148.0

BACKG COLOR: Green
COPY COLOR: White

SYMBOL	X	Y	WID	HT

MAT'L: 0.125" (3.2 mm) ALUMINUM

DESIGN BY: R DRAYTON
PROJECT ID: U-2579AA
CHECKED BY: R KING
Oct 20, 2021
DIV: 9



USE NOTES: 1,2
1. Legend and border(except those that are colored black) shall be direct applied Grade A sheeting.
2. Background shall be Grade C reflective sheeting.

INCREASE "EXIT" SPACING BY 1.20
Spacing Factor is 1 unless specified otherwise

LETTER POSITIONS

Letter spacings are to start of next letter

	E	X	I	T		Series/Size		
						Text Length		
	23.2	9.2	11.1	3.8	7.5	101.2	E 2000	
	2	2	7		A		31.6	
	69.8	14.2	13.8	12.2	7.5	15.3	23.2	E 2000
							63	

FILENAME: U2579AA_SignDesigns NORTH CAROLINA D.O.T. SIGN DETAIL

APPROVED: _____
DATE: _____

SEAL

7/12/2022

DOCUMENT NOT CONSIDERED FINAL
UNLESS ALL SIGNATURES COMPLETED

HDR HDR Engineering, Inc. of the Carolinas
555 Fayetteville St, Suite 900 Raleigh, N.C. 27601
N.C.B.E.L.S. License Number: F-0116

12:48:46 PM 2/17/2022 c:\pwworking\ees\east01\q0779653\U-2579AA-SIGN-5B.dgn

SIGN DESIGNS