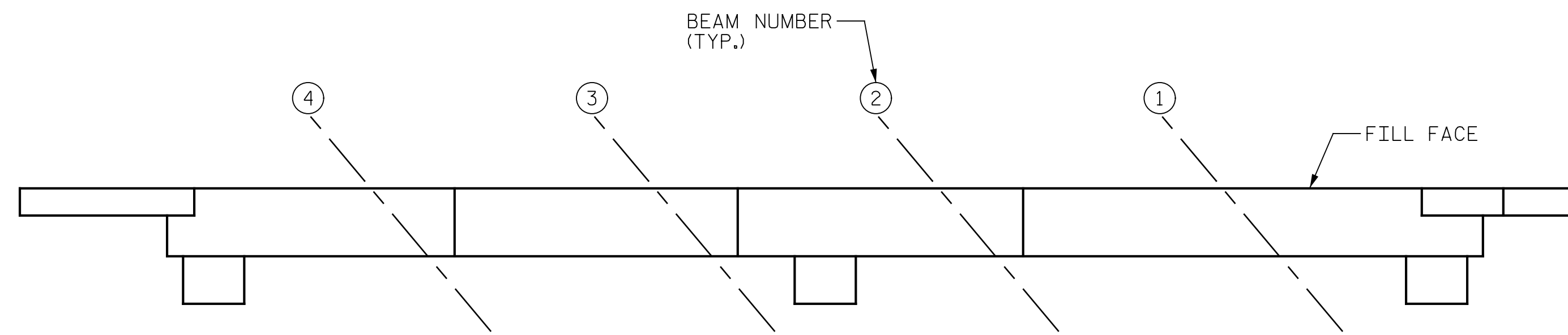
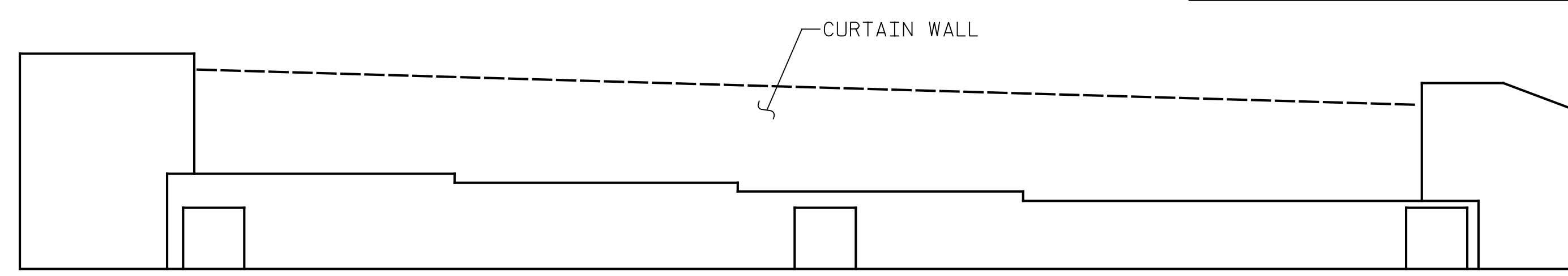


p:\gfn\p-w\benfley.com:gfn\p-w-01\Documents\Projects\67945\5-Work\King\Task 005 - I-5889B Rehab\Structures\CAD\2.0 100% Plans\406_229_I-5889B_SMU_E1_013_100356 7/21/2022 4:04:53 PM pdf_color_gfclt_FS.plt I-5889B.tbl

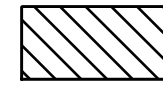




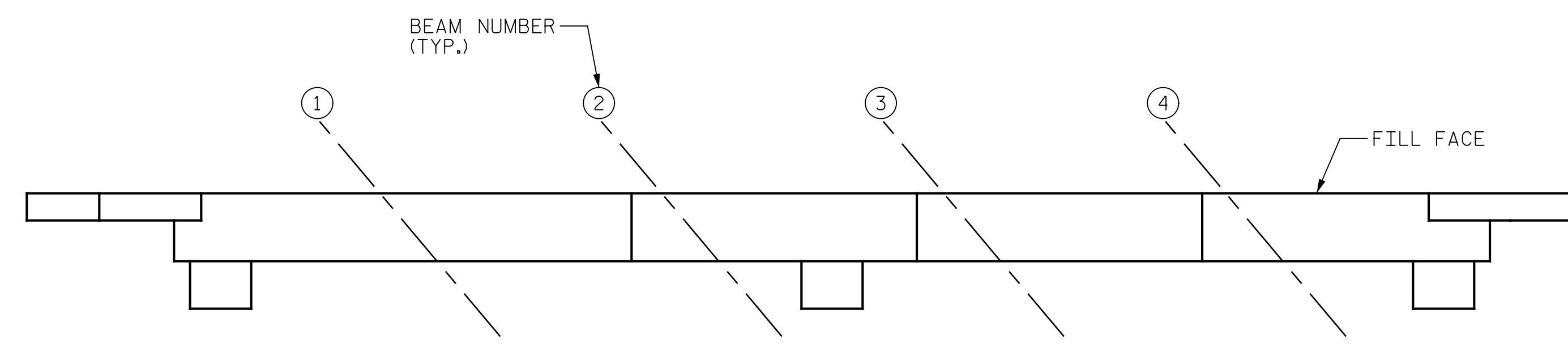
PLAN

NO REPAIRS NOTED FOR END BENT 1 DURING FIELD SCOPING. THE CONTRACTOR AND ENGINEER SHALL INSPECT END BENT 1 PRIOR TO BEGINNING WORK.



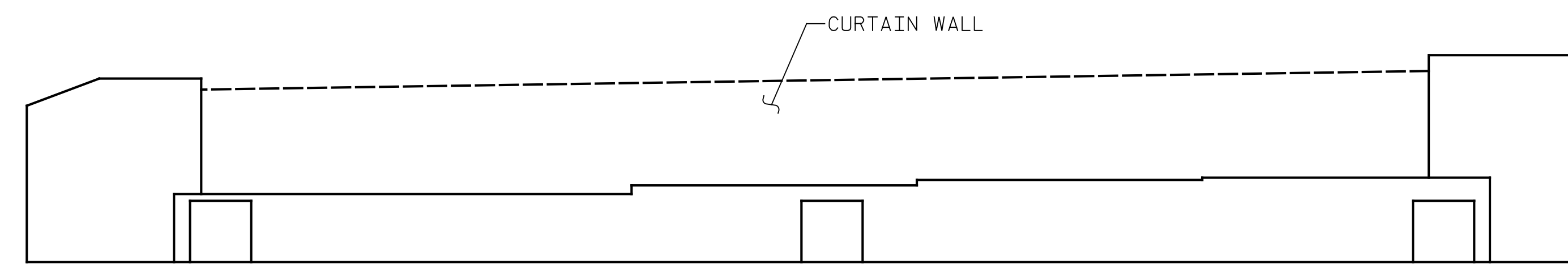
ELEVATION
END BENT 1

-  SHOTCRETE REPAIR
-  CONCRETE REPAIR (FORM & POUR)
-  ERI - EPOXY RESIN INJECTION



PLAN

NO REPAIRS NOTED FOR END BENT 2 DURING FIELD SCOPING. THE CONTRACTOR AND ENGINEER SHALL INSPECT END BENT 2 PRIOR TO BEGINNING WORK.



ELEVATION
END BENT 2

AS-BUILT REPAIR QUANTITY TABLE

END BENT 1 REPAIRS	QUANTITIES				
	ESTIMATE		ACTUAL		
SHOTCRETE REPAIRS	AREA SF	VOLUME CF	AREA SF	DEPTH FT	VOLUME CF
CAP	0.0	0.0			
CURTAIN WALL	0.0	0.0			
CONCRETE REPAIRS	0.0	0.0			
EPOXY RESIN INJECTION	LENGTH LF		LENGTH LF		
CAP	0.0				
CURTAIN WALL	0.0				

END BENT 2 REPAIRS	QUANTITIES				
	ESTIMATE		ACTUAL		
SHOTCRETE REPAIRS	AREA SF	VOLUME CF	AREA SF	DEPTH FT	VOLUME CF
CAP	0.0	0.0			
CURTAIN WALL	0.0	0.0			
CONCRETE REPAIRS	0.0	0.0			
EPOXY RESIN INJECTION	LENGTH LF		LENGTH LF		
CAP	0.0				
CURTAIN WALL	0.0				

VALUES IN CHART REPRESENT ESTIMATED REPAIR TOTALS AFTER REMOVAL OF UNSOUND CONCRETE, MINIMUM OF 1" BEHIND REBAR AND MINIMUM OF 2" CLEARANCE TO SAWCUT. SEE "TYPICAL CAP AND COLUMN REPAIR DETAILS" SHEET.

NOTES:
REPAIR LOCATIONS AND ESTIMATE OF QUANTITIES ARE GIVEN WITH THE BEST INFORMATION AVAILABLE. IF ADDITIONAL REPAIRS NOT SHOWN ON THE DRAWINGS ARE DEEMED NECESSARY BY THE ENGINEER, THE ENGINEER WILL NOTE ON THE DRAWINGS THE APPROXIMATE LOCATION AND DESCRIPTION OF THE REPAIRS AND ADJUST THE ACTUAL QUALITIES ENTERED INTO THE AS-BUILT REPAIR QUANTITY TABLE.

CONTRACTOR SHALL SAW CUT TO A MINIMUM DEPTH OF 1/2" BUT REINFORCING STEEL SHALL NOT BE DAMAGED

CONTRACTOR SHALL REMOVE SURFACE CONCRETE TO VERIFY THAT SAW CUT DEPTH WILL NOT DAMAGE EXISTING REINFORCING STEEL.

CONTRACTOR SHALL SAW CUT THE REPAIR AREAS SO THAT THE CORNERS ARE SQUARE AS INDICATED ON THE DETAILS.

FOR CONCRETE REPAIRS, SEE SPECIAL PROVISIONS.
FOR SHOTCRETE REPAIRS, SEE SPECIAL PROVISIONS.

SHOTCRETE REPAIRS MAY BE REPLACED WITH CONCRETE REPAIRS WITH THE APPROVAL OF THE ENGINEER.

FOR EPOXY RESIN INJECTION, SEE SPECIAL PROVISIONS.

PROJECT NO. I-5889B
BUNCOMBE COUNTY
BRIDGE NO. 100356



STATE OF NORTH CAROLINA
DEPARTMENT OF TRANSPORTATION
RALEIGH

END BENT 1 & 2

DRAWN BY : J. HARRIS DATE : 6/2022
CHECKED BY : J. YANACCONI DATE : 6/2022



NO.	REVISIONS			NO.	REVISIONS			SHEET NO.
	BY:	DATE:			BY:	DATE:		
1				3			TOTAL SHEETS	
2				4			133	

DOCUMENT NOT CONSIDERED FINAL UNLESS ALL SIGNATURES COMPLETED