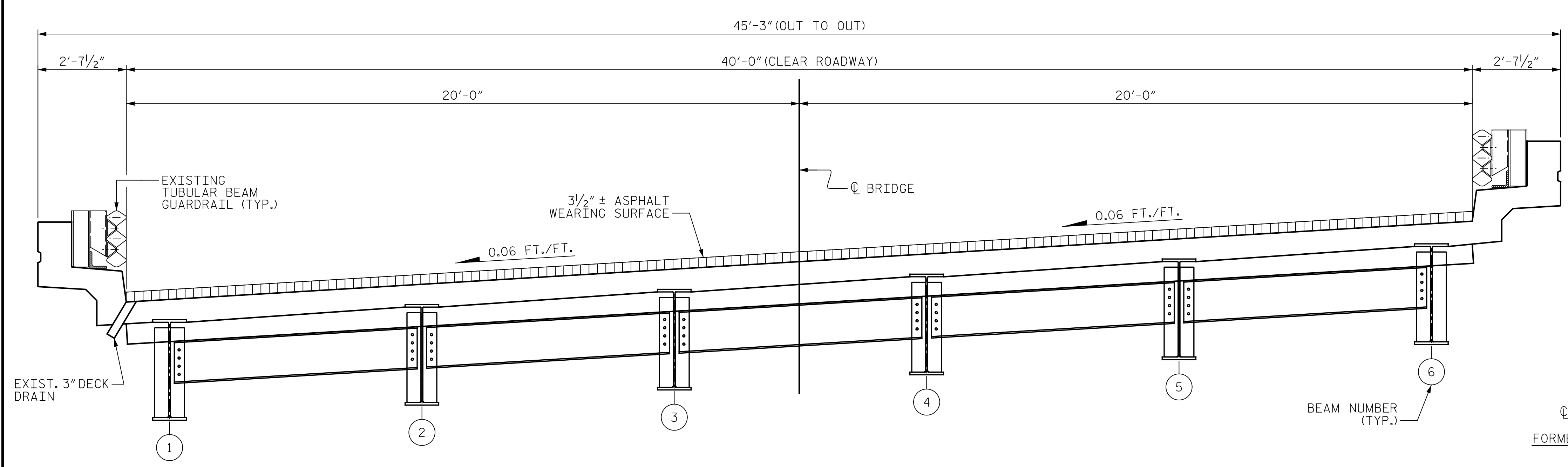
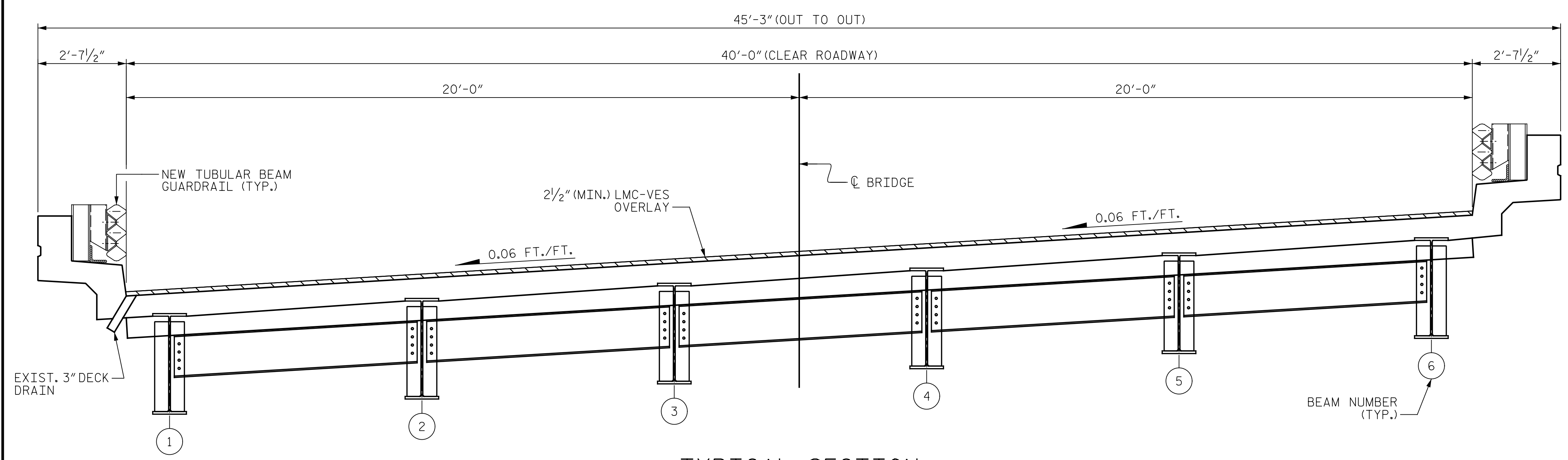
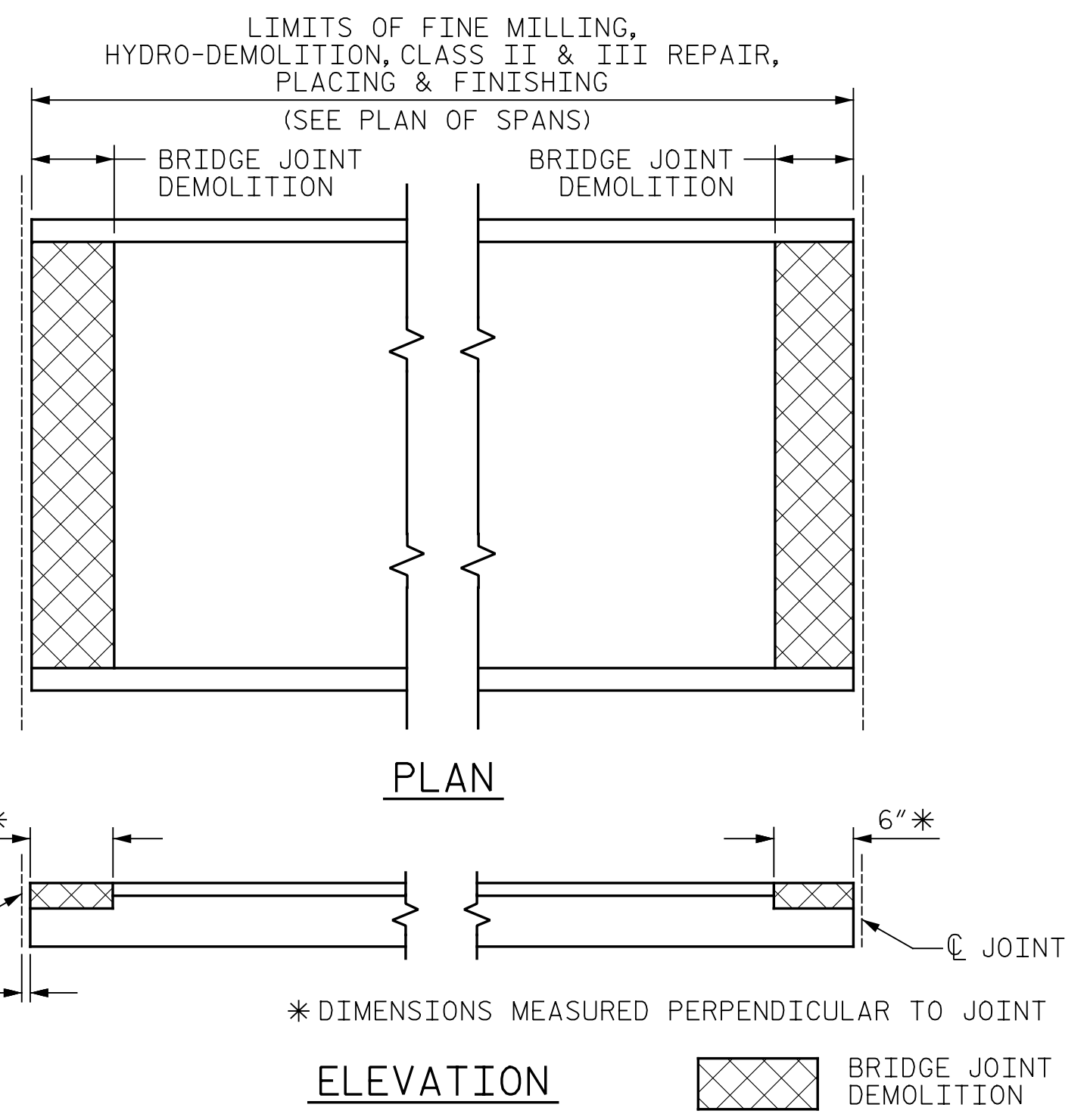


p:\gfn\pw\benfley.com\gfn\pw-01\Documents\Projects\67945\5-Working\Task 005 - I-5889B Rehab\Structures\CAD\2.0 100% Plans\404_109_I-5889B_SMU_T501_003_100347.rvt
 7/21/2022 3:53:44 PM pdf_color_gfct_FS.plt I-5889B.TBI



TYPICAL SECTION
(EXISTING)



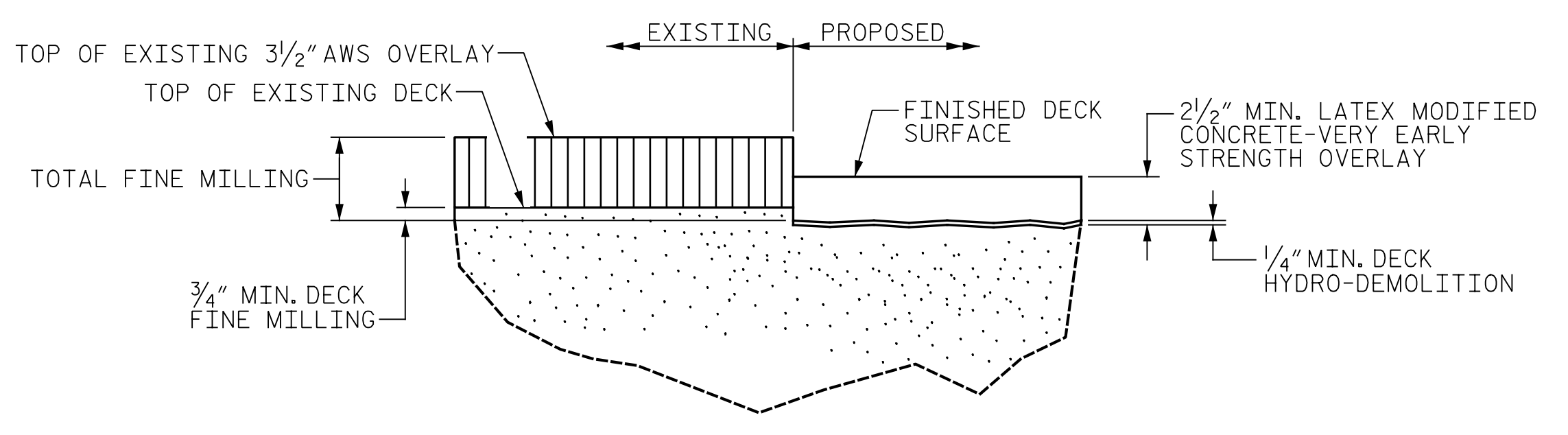
TYPICAL SECTION
(PROPOSED)

PAY LIMITS FOR OVERLAY BID ITEMS

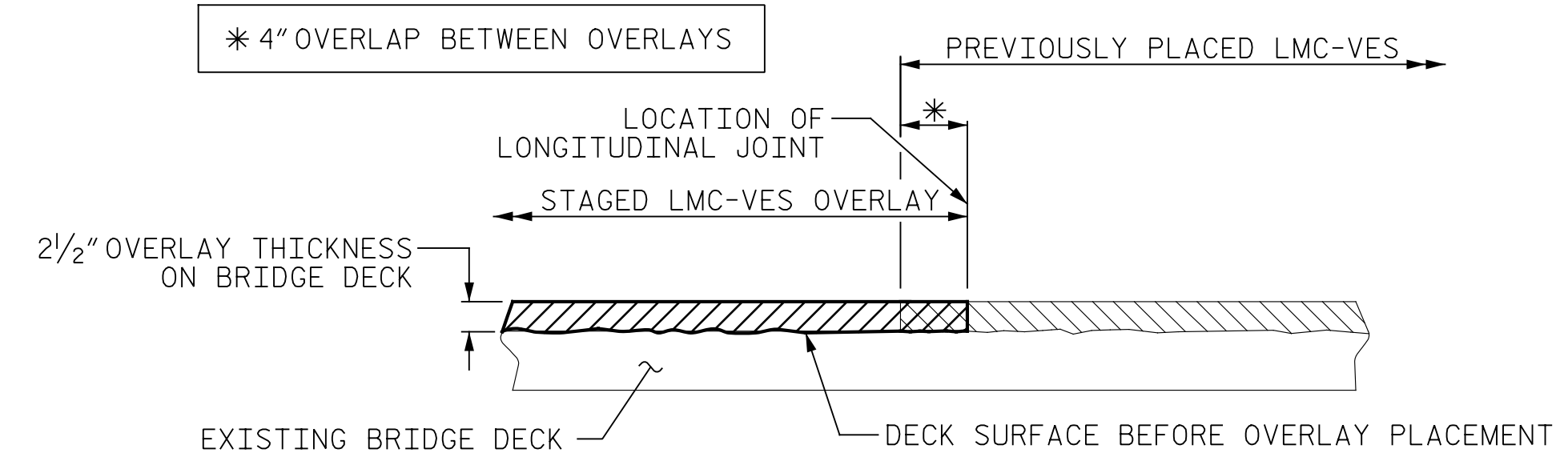
NOTES:

SEE TRAFFIC MANAGEMENT PLANS FOR LANE WIDTHS, SEQUENCING, AND OTHER TRAFFIC CONTROL MEASURES FOR STAGING OF OVERLAY SURFACE PREPARATION AND LMC PLACEMENT.

WHEN PREPARING THE SURFACE FOR LMC-VES OVERLAY ADJACENT TO A PREVIOUSLY PLACED LMC-VES STAGE, THE PREVIOUSLY PLACED LMC-VES SHALL BE REMOVED FOR A DISTANCE OF 4 INCHES FROM THE LMC-VES EDGE. THE SURFACE OF THE NEW STAGE AREA, ALONG WITH THE 4 INCH OVERLAY AREA, SHALL BE PREPARED AS PER THE OVERLAY SURFACE PREPARATION SPECIAL PROVISIONS. NEW LMC-VES SHALL BE PLACED IN THE 4-INCH OVERLAP, AS PART OF THE NEW LMC-VES STAGE PLACEMENT.



DETAIL FOR LMC-VES OVERLAY



SECTION THRU DECK
STAGED LMC-VES OVERLAY JOINT

PROJECT NO. I-5889B
 BUNCOMBE COUNTY
 BRIDGE NO. 100347



STATE OF NORTH CAROLINA
 DEPARTMENT OF TRANSPORTATION
 RALEIGH

TYPICAL SECTION AND
 SURFACE PREPARATION
 DETAILS

DRAWN BY: M. LEE/J. MYA DATE: 6/2022
 CHECKED BY: J. YANACCONI DATE: 6/2022



DOCUMENT NOT CONSIDERED
 FINAL UNLESS ALL
 SIGNATURES COMPLETED

REVISIONS						SHEET NO.
NO.	BY:	DATE:	NO.	BY:	DATE:	
1			3			S4-3
2			4			TOTAL SHEETS 133