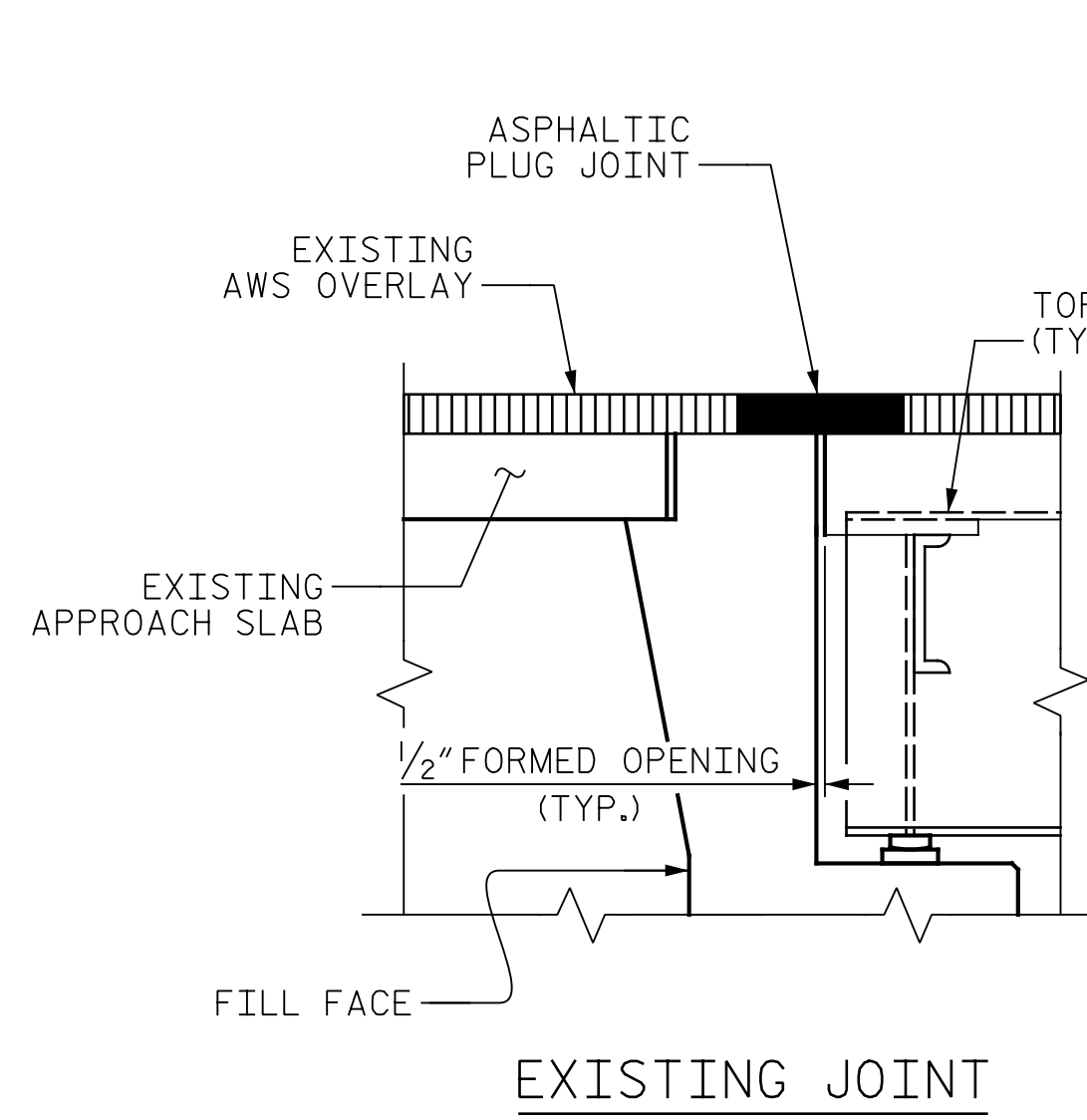
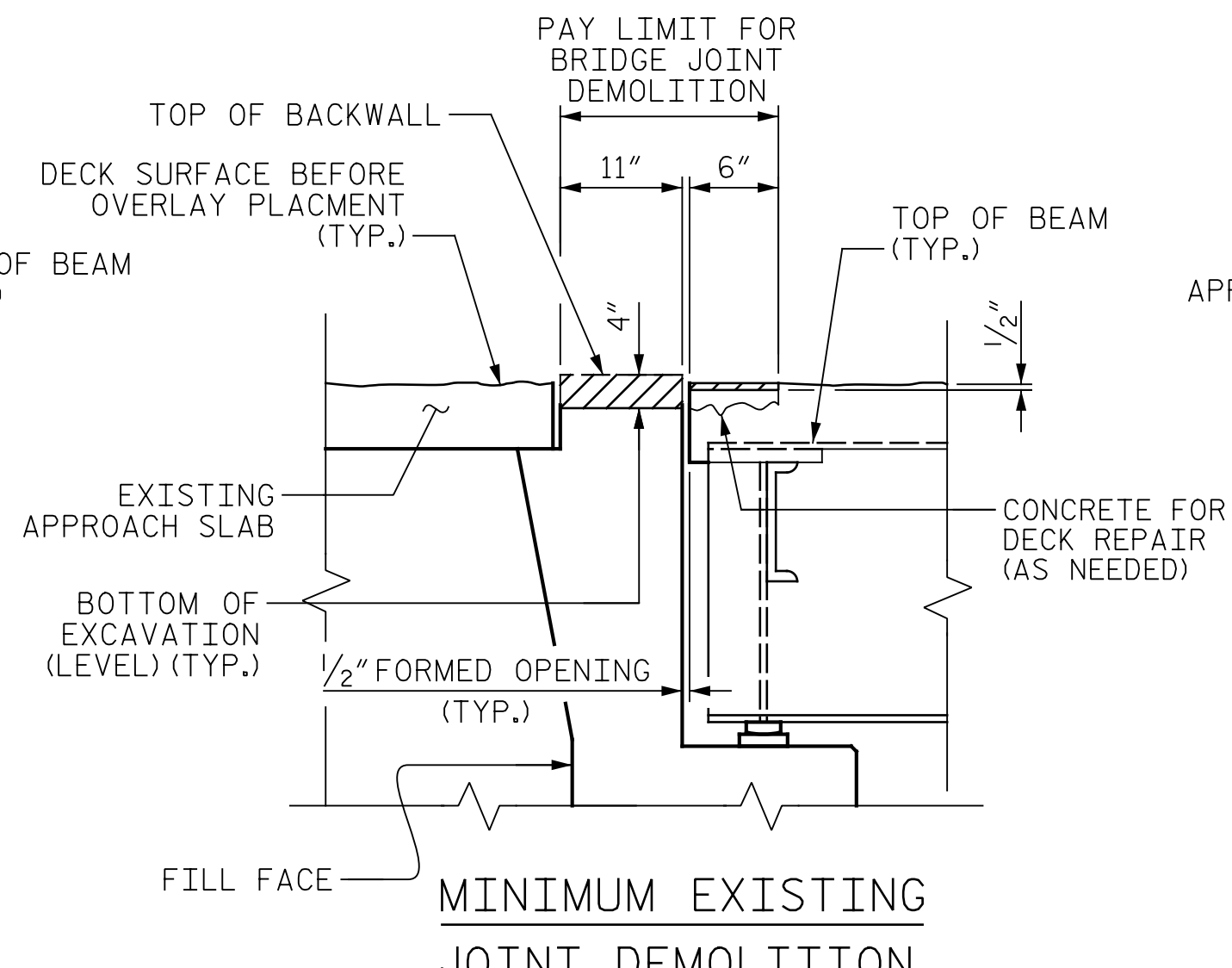


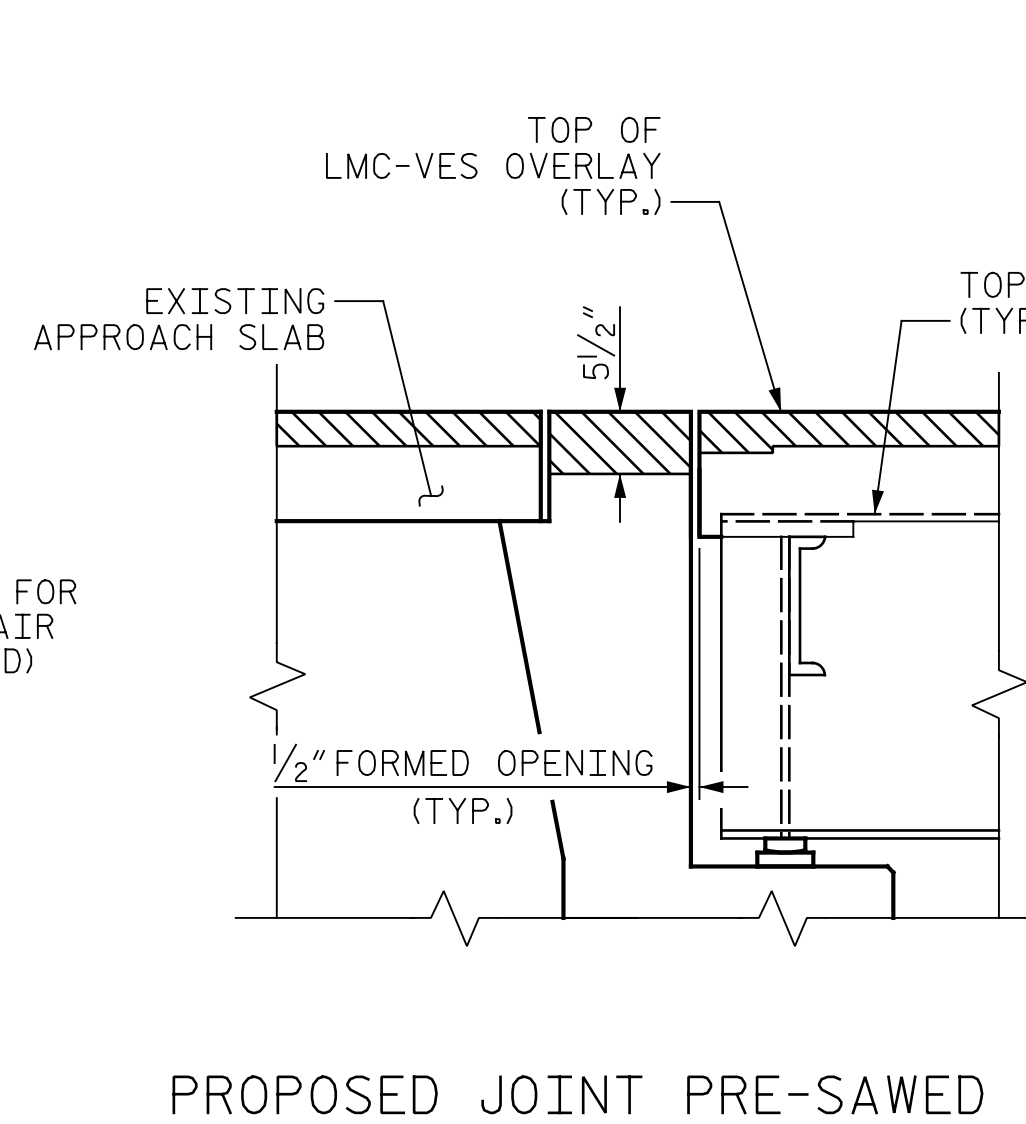
p:\gfn\pw-bentley.com\gfn\pw-01\Documents\Projects\67945\5-WorKing\Task 005 - I-5889B Rehab\Structures\CAD\2.0 100% Plans\401\_019\_I-5889B\_SMU\_JT\_007\_100334  
 7/21/2022 3:44:33 PM pdf\_color\_gfctt\_FS.plt I-5889B.Tbl



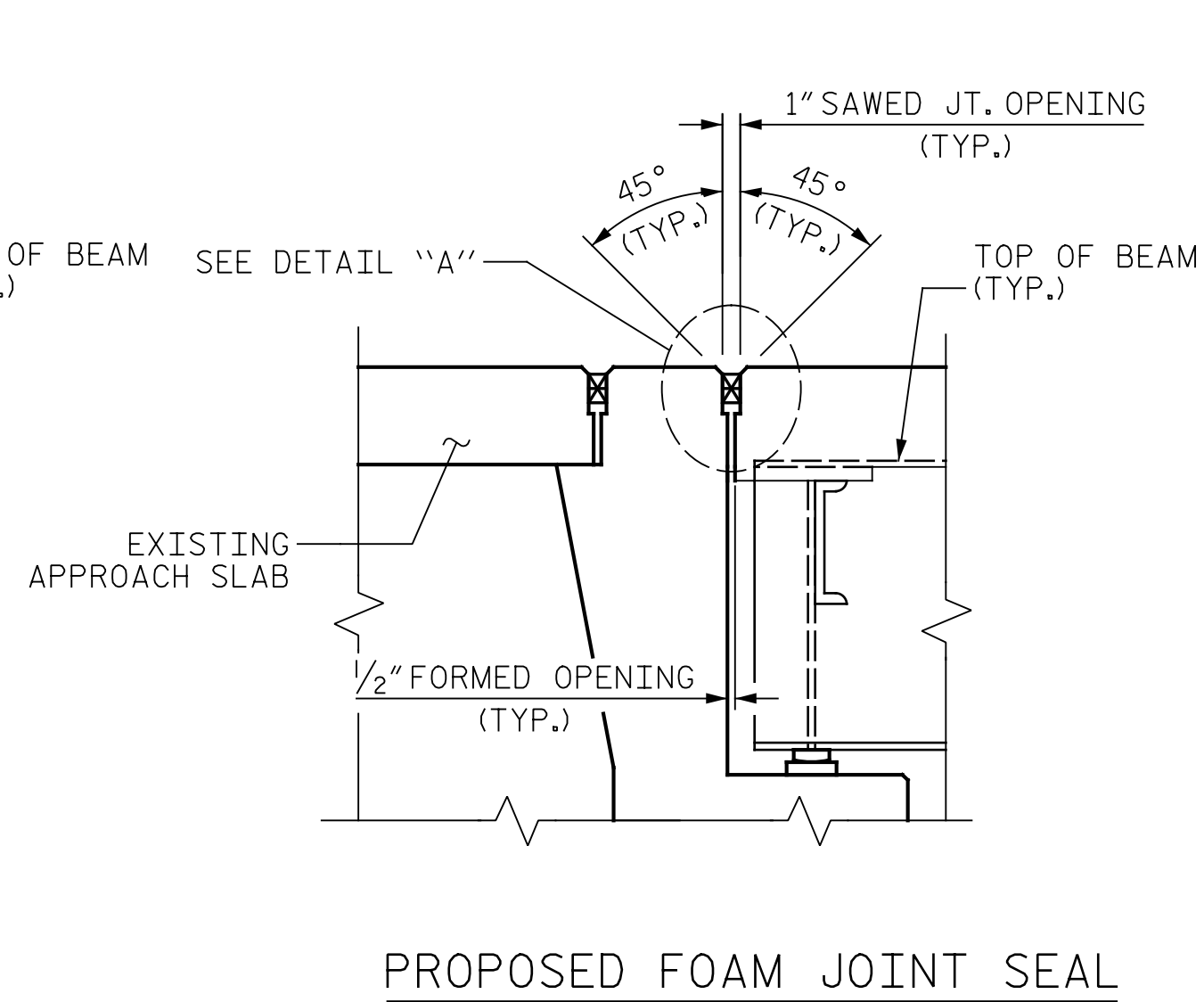
**EXISTING JOINT**



**MINIMUM EXISTING JOINT DEMOLITION**  
(BACKWALL DEMOLITION DONE PRIOR TO OVERLAY PLACEMENT)

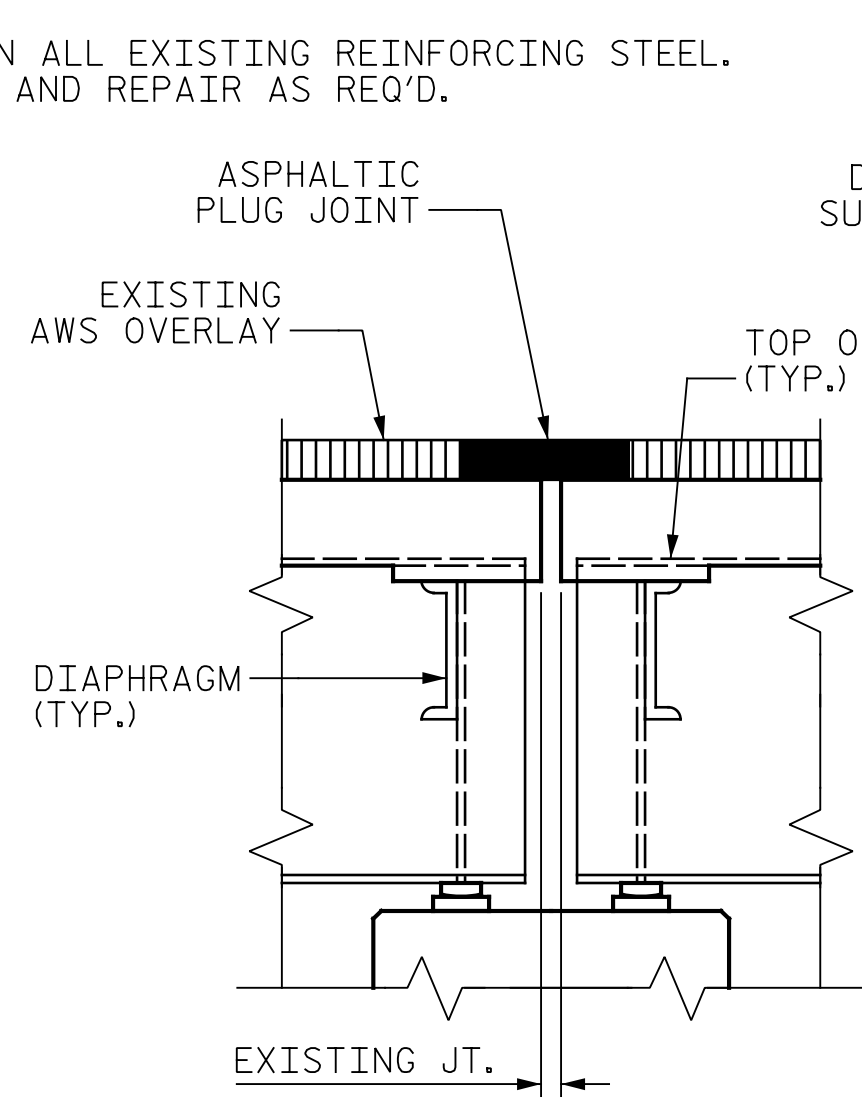


**PROPOSED JOINT PRE-SAWED**

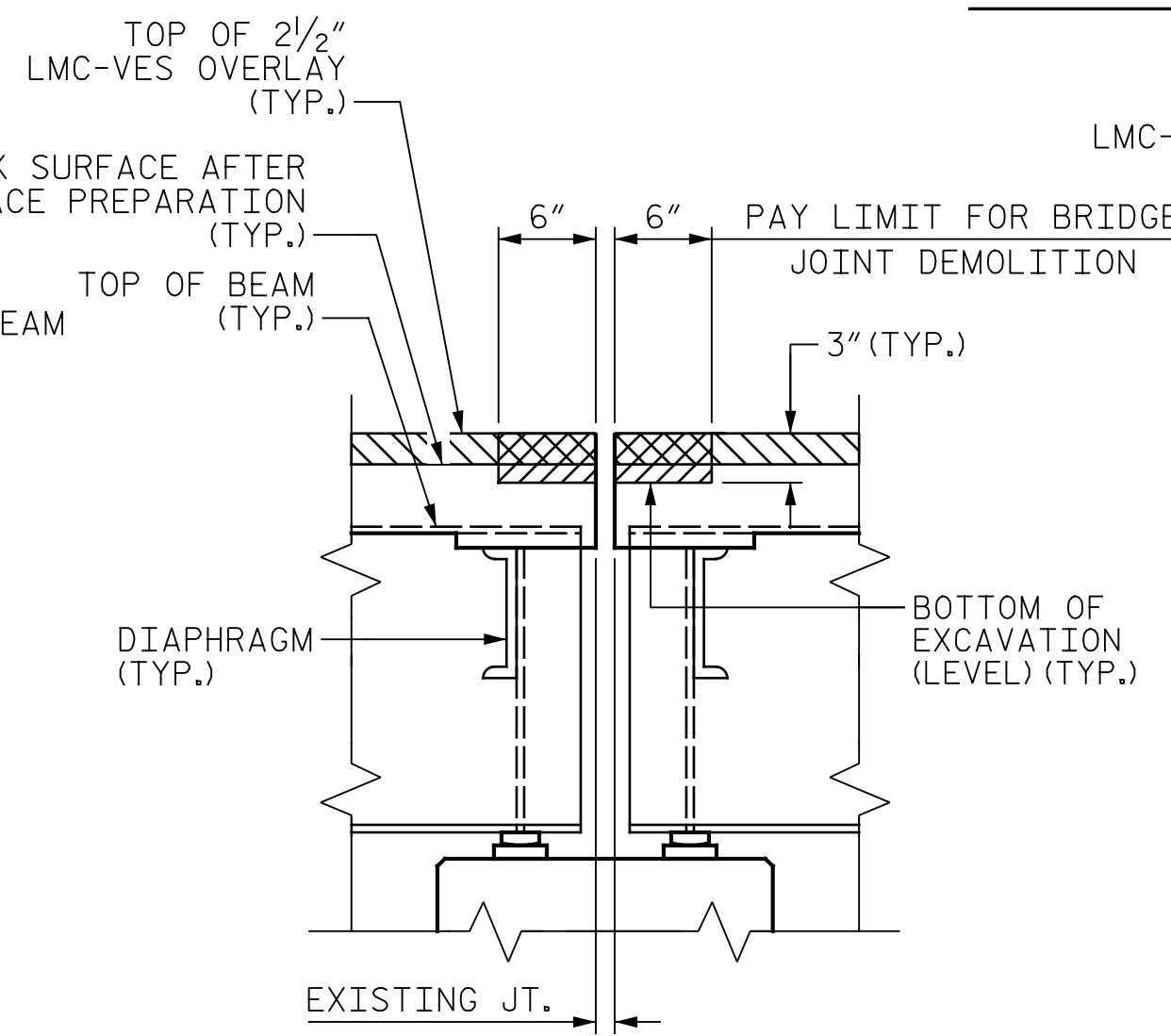


**PROPOSED FOAM JOINT SEAL**  
(AT FILL FACE AND FRONT FACE OF END BENT)

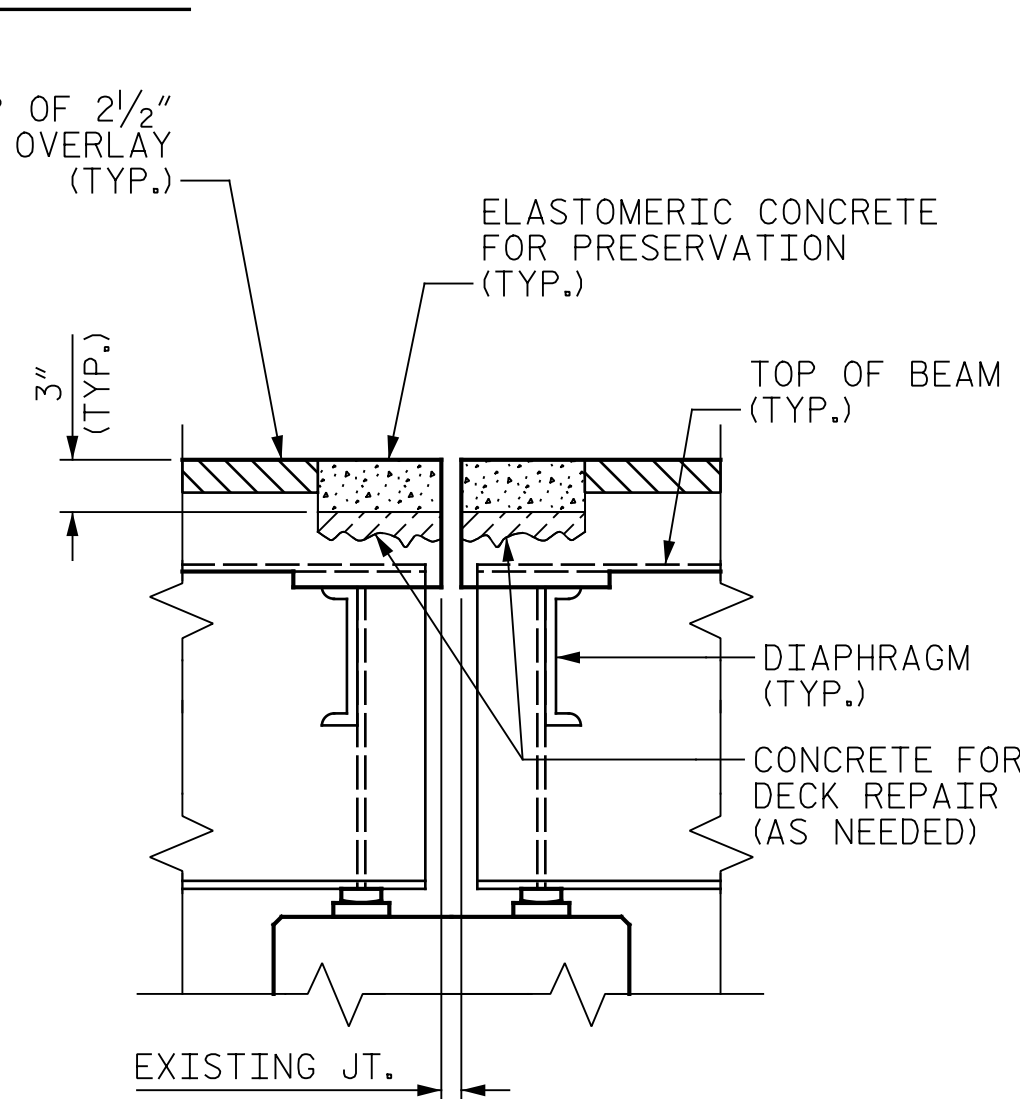
NOTE: RETAIN ALL EXISTING REINFORCING STEEL. CLEAN AND REPAIR AS REQ'D.



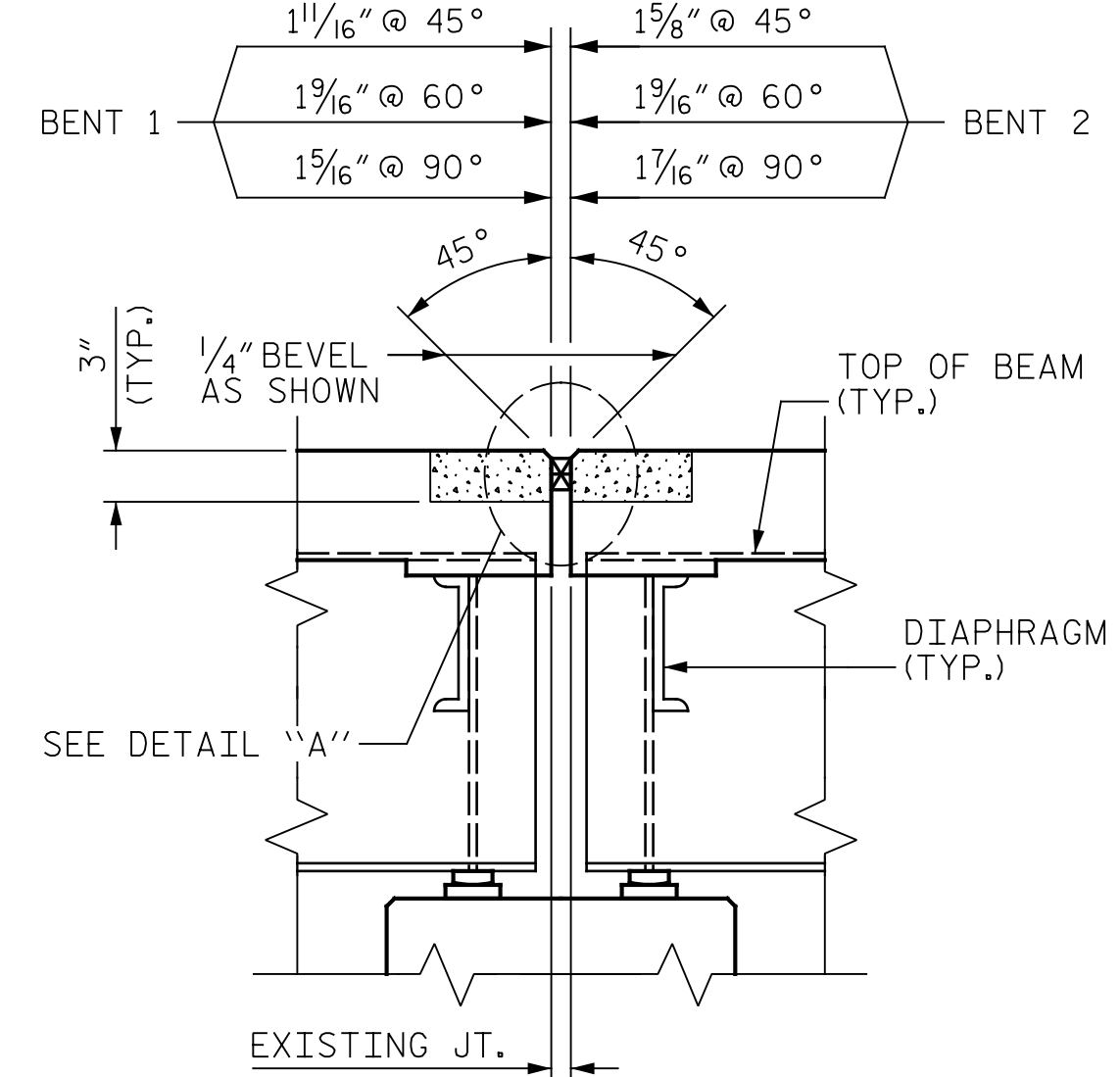
**EXISTING JOINT**



**MINIMUM EXISTING JOINT DEMOLITION**



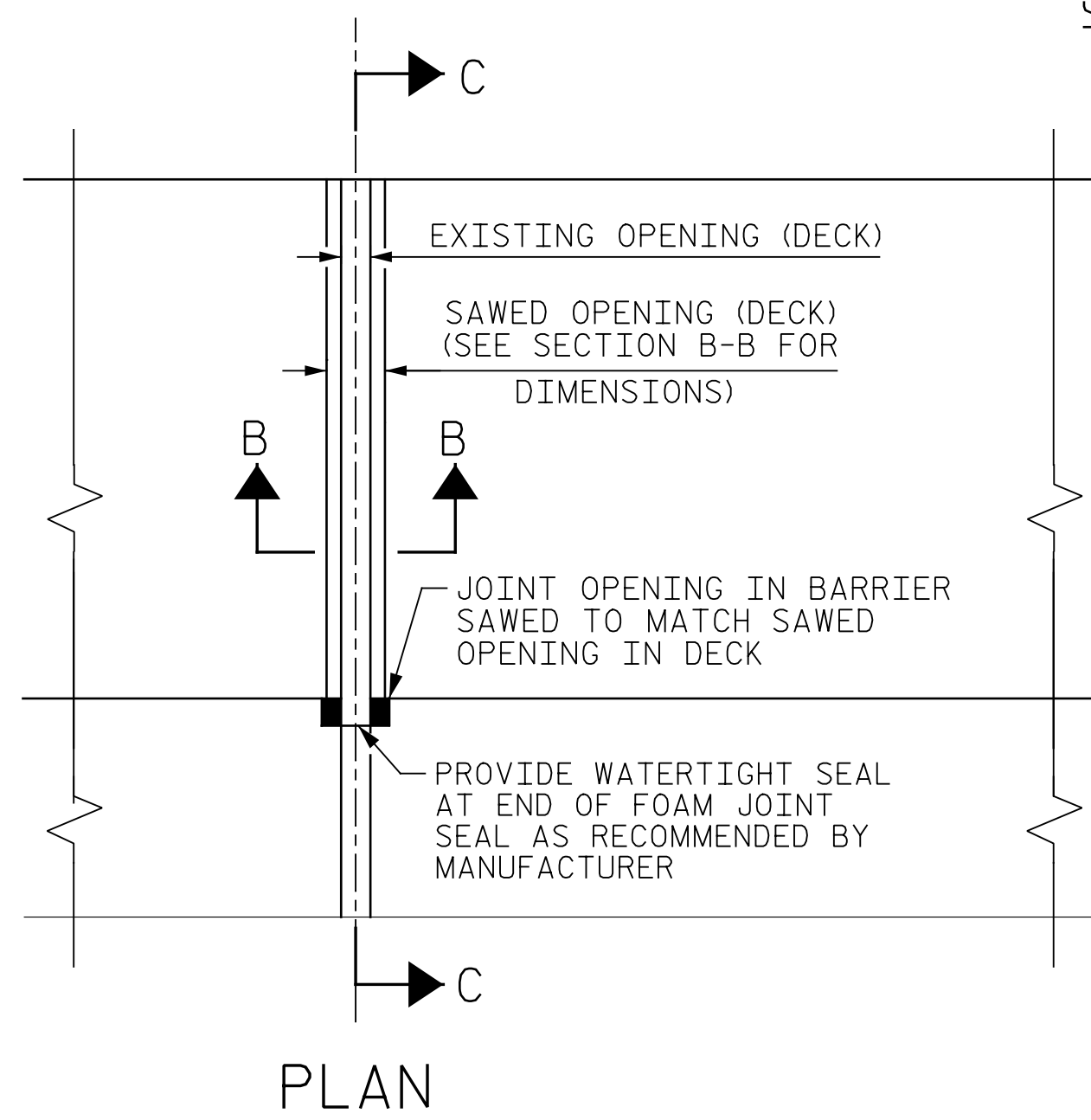
**PROPOSED JOINT PRE-SAWED**



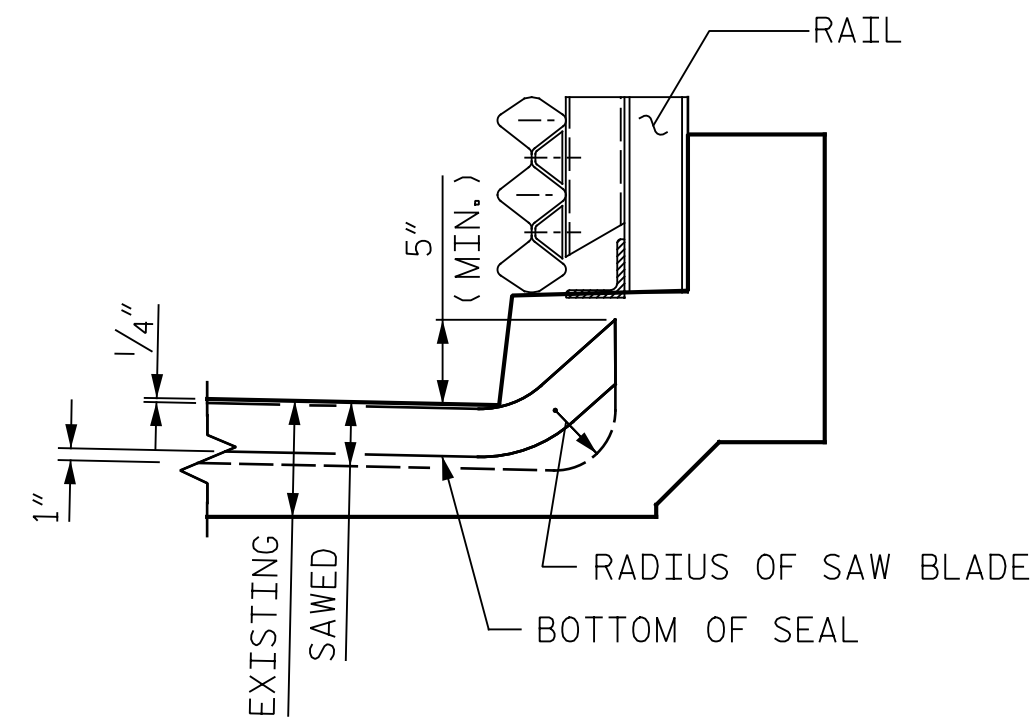
**PROPOSED FOAM JOINT SEAL**

**SECTION A-A**

**SECTION B-B**



**PLAN**

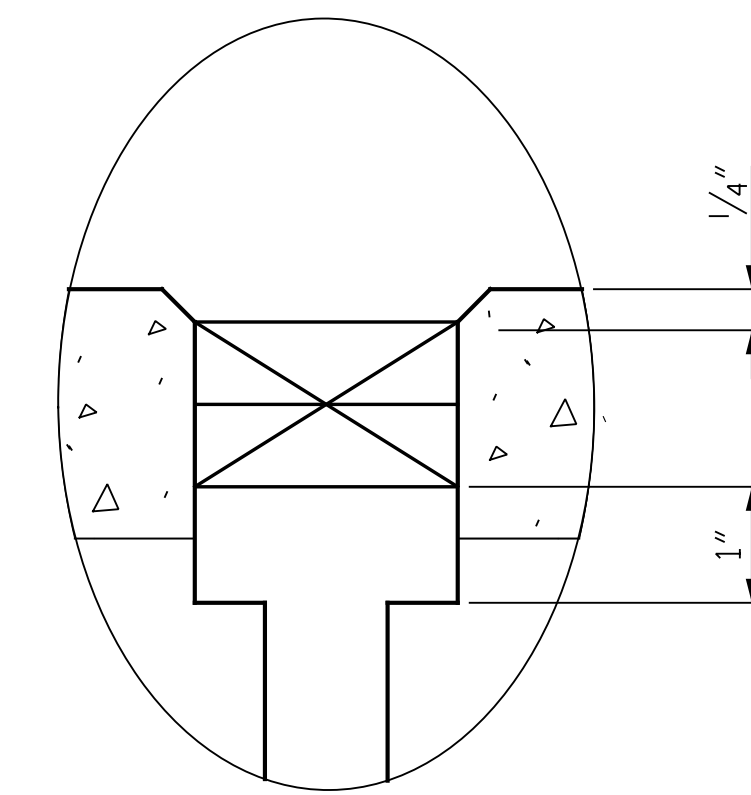


**SECTION C-C**

FOAM JOINT SEAL SHALL BE FACTORY FORMED OR CUT, HEAT WELDED AND TURNED UP PARALLEL TO SLOPED FACE OF CURB.

LOCATION	ELASTOMERIC CONCRETE FOR PRESERVATION	FOAM JOINT SEALS FOR PRESERVATION
	CU. FT.	LIN. FT.
END BENT 1	5.0	78.0
BENT 1	10.0	42.0
BENT 2	10.0	42.0
END BENT 2	5.0	78.0
* TOTAL	30.0	240.0

\* BASED ON MINIMUM BLOCKOUT SHOWN



**DETAIL "A"**

**NOTES:**

FINAL JOINT SEALS SHALL NOT BE INSTALLED UNTIL THE OVERLAY OR SEALANT WORK IS COMPLETE.

THE CONTRACTOR SHALL FIELD VERIFY THE EXISTING JOINT OPENING PRIOR TO ORDERING JOINT SEAL MATERIAL. IF THE ACTUAL JOINT OPENING VARIES FROM THE OPENING INDICATED IN THE DETAILS BY MORE THAN 1/4", NOTIFY THE ENGINEER.

THE MANUFACTURER IS TO PROVIDE THE NOMINAL UNCOMPRESSED SEAL WIDTH OF THE FOAM JOINT SEAL FOR THE SIZE OF THE OPENING ON THE PLANS AND ACCOMMODATE THE MINIMUM EXPANSION SHOWN ON THE PLANS.

FOAM JOINTS SHALL BE INSTALLED AS PER THE MANUFACTURER'S RECOMMENDATIONS.

THE CONTRACTOR SHALL TAKE CARE DURING JOINT REHAB OPERATIONS NOT TO DROP ANY MATERIAL BELOW THE BRIDGE WITHOUT PROTECTIVE DEVICES BELOW TO CATCH THE MATERIAL. ANY MATERIAL THAT FALLS BELOW THE BRIDGE SHALL BE CONTAINED, REMOVED AND DISPOSED OF BY THE CONTRACTOR AT NO EXTRA COST TO THE DEPARTMENT. IF THE ENGINEER DETERMINES THAT THE PROTECTIVE DEVICES ARE NOT ADEQUATE OR NOT BEING EMPLOYED, THE WORK SHALL BE SUSPENDED UNTIL ADEQUATE PROTECTION IS PROVIDED.

FOR EXCAVATION BELOW THE BOTTOM OF THE PLANNED JOINT DEMOLITION, CONCRETE FOR DECK REPAIR SHALL BE PLACED IN THE EXCAVATED AREA TO THE ELEVATION AT THE BOTTOM OF THE PROPOSED ELASTOMERIC CONCRETE FOR PRESERVATION HEADERS AS SHOWN.

FINAL SURFACE OF THE JOINT DEMOLITION AREA PRIOR TO PLACEMENT OF CONCRETE REPAIR MATERIAL OR ELASTOMERIC CONCRETE SHOULD BE REASONABLY FLAT AND LEVEL. ENGINEER SHALL DETERMINE THE ACCEPTABILITY OF THE SURFACE PRIOR TO PLACEMENT OF REPAIR CONCRETE OR ELASTOMERIC CONCRETE.

THE CONTRACTOR WILL NOT BE PERMITTED TO FORM THE JOINT IN LIEU OF SAWING THE JOINT.

THE INSTALLED FOAM JOINTS SHALL BE WATERTIGHT.

THE CONTRACTOR SHALL SAW CUT TO A NOMINAL DEPTH OF 1/2" BUT REINFORCING STEEL SHALL NOT BE DAMAGED. CONTRACTOR SHALL REMOVE SURFACE CONCRETE TO VERIFY THAT SAWCUT DEPTH WILL NOT DAMAGE EXISTING REINFORCING STEEL.

QUANTITIES SHOWN IN THE ELASTOMERIC CONCRETE FOR PRESERVATION TABLE ARE BASED ON THE MINIMUM JOINT DEMOLITION SHOWN.

FOR BRIDGE JOINT DEMOLITION, SEE SPECIAL PROVISIONS.

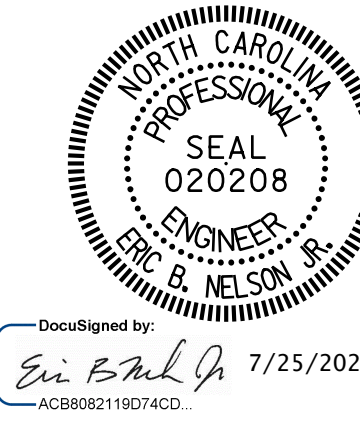
FOR ELASTOMERIC CONCRETE FOR PRESERVATION, SEE SPECIAL PROVISIONS.

FOR FOAM JOINT SEALS FOR PRESERVATION, SEE SPECIAL PROVISIONS.

PROJECT NO. I-5889B  
BUNCOMBE COUNTY  
 BRIDGE NO. 100334

STATE OF NORTH CAROLINA  
 DEPARTMENT OF TRANSPORTATION  
 RALEIGH

**JOINT DETAILS**



DOCUMENT NOT CONSIDERED FINAL UNLESS ALL SIGNATURES COMPLETED

REVISIONS						SHEET NO.
NO.	BY:	DATE:	NO.	BY:	DATE:	
1			3			S1-7
2			4			TOTAL SHEETS 133



DRAWN BY: J. MYA DATE: 6/2022  
 CHECKED BY: J. YANACCONI DATE: 6/2022