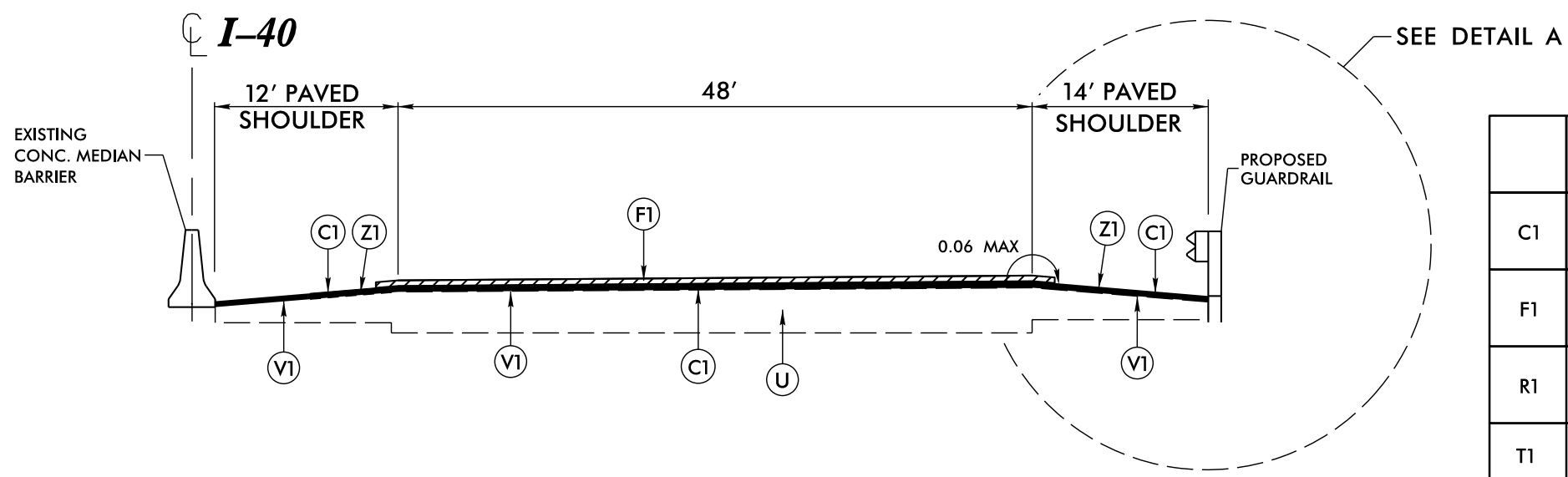


TYPICAL SECTION NO. 1

- * ULTRA-THIN BONDED WEARING COURSE SHALL EXTEND A MINIMUM OF 6" OUTSIDE OF EITHER SIDE.
- * RUMBLE STRIPS SHALL BE LOCATED 6" OUTSIDE OF ULTRA-THIN BONDED WEARING COURSE OF EITHER SIDE.



TYPICAL SECTION NO. 2

PAVEMENT SCHEDULE	
C1	PROP. APPROX. 2" ASPHALT CONCRETE SURFACE COURSE, TYPE S9.5D, AT AN AVERAGE RATE OF 224 LBS. PER SQ. YD.
F1	PROP. APPROX. 3/8" ULTRA-THIN BONDED WEARING COURSE AT AN AVERAGE RATE OF 70 LBS. PER SQ. YD.
R1	2'-6" CONCRETE CURB & GUTTER
T1	SHOULDER RECONSTRUCTION
U	EXISTING ASPHALT PAVEMENT
V1	MILL ASPHALT PAVEMENT, 2" DEPTH
V2	INCIDENTAL MILLING
Z1	MILLED RUMBLE STRIPS

29-JUN-2022 14:51
 S:\DDC\Interstate Maintenance\Buncombe\I-5889B\Roadway\Proj\I-5889B_Maps_Typical.dgn