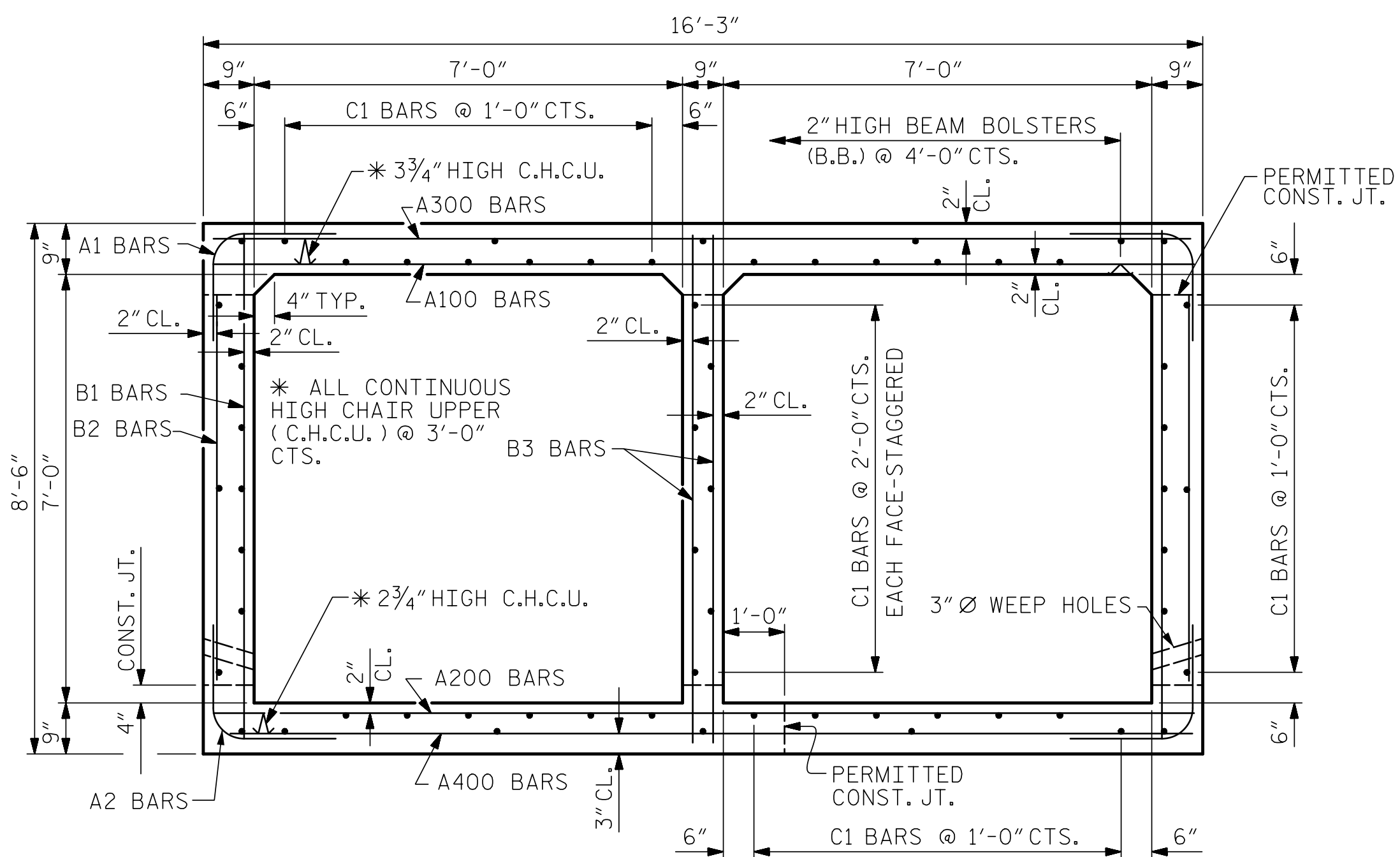
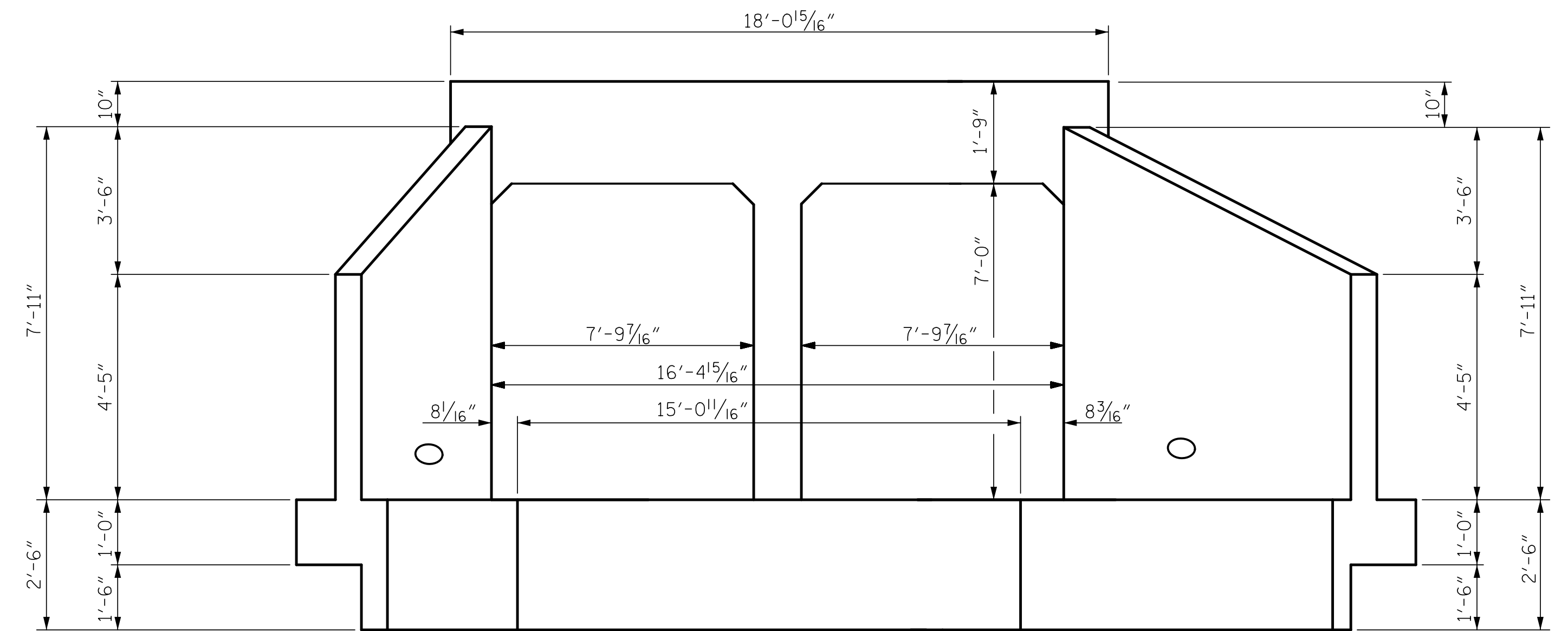


STAGE III BAR SCHEDULE																	
BAR	NO.	SIZE	TYPE	LENGTH	WEIGHT	BAR	NO.	SIZE	TYPE	LENGTH	WEIGHT	BAR	NO.	SIZE	TYPE	LENGTH	WEIGHT
A100	130	#4	STR	15'-10"	1375	A300	130	#5	STR	15'-10"	2147	A1	280	#4	1	4'-10"	904
A101	2	#4	STR	14'-8"	20	A301	2	#5	STR	14'-8"	31	A2	280	#4	1	4'-5"	826
A102	2	#4	STR	13'-4"	18	A302	2	#5	STR	13'-4"	28						
A103	2	#4	STR	12'-0"	16	A303	2	#5	STR	12'-0"	25	B1	190	#4	STR	8'-0"	1015
A104	2	#4	STR	10'-7"	14	A304	2	#5	STR	10'-7"	22	B2	280	#4	STR	6'-4"	1185
A105	2	#4	STR	9'-3"	12	A305	2	#5	STR	9'-3"	19	B3	126	#4	STR	8'-0"	673
A106	2	#4	STR	7'-11"	11	A306	2	#5	STR	7'-11"	17						
A107	2	#4	STR	6'-7"	9	A307	2	#5	STR	6'-7"	14	C1	183	#4	STR	32'-8"	3993
A108	2	#4	STR	5'-3"	7	A308	2	#5	STR	5'-3"	11						
A109	2	#4	STR	3'-10"	5	A309	2	#5	STR	3'-10"	8	S2	12	#6	STR	17'-8"	318
A110	2	#4	STR	2'-6"	3	A310	2	#5	STR	2'-6"	5	S3	6	#8	STR	17'-8"	283
A200	130	#4	STR	15'-10"	1375	A400	130	#5	STR	15'-10"	2147	G1	4	#5	STR	17'-8"	74
A201	2	#4	STR	14'-8"	20	A401	2	#5	STR	14'-8"	31						
A202	2	#4	STR	13'-4"	18	A402	2	#5	STR	13'-4"	28	D1	34	#6	STR	2'-6"	128
A203	2	#4	STR	12'-0"	16	A403	2	#5	STR	12'-0"	25	D2	6	#6	STR	1'-4"	12
A204	2	#4	STR	10'-7"	14	A404	2	#5	STR	10'-7"	22	D3	6	#6	STR	2'-4"	21
A205	2	#4	STR	9'-3"	12	A405	2	#5	STR	9'-3"	19						
A206	2	#4	STR	7'-11"	11	A406	2	#5	STR	7'-11"	17						
A207	2	#4	STR	6'-7"	9	A407	2	#5	STR	6'-7"	14						
A208	2	#4	STR	5'-3"	7	A408	2	#5	STR	5'-3"	11						
A209	2	#4	STR	3'-10"	5	A409	2	#5	STR	3'-10"	8						
A210	2	#4	STR	2'-6"	3	A410	2	#5	STR	2'-6"	5						
															REINFORCING STEEL		17,066 LBS



BAR TYPE		
VERTICAL LEG		
①	6" R.	2'-2"
		1'-9"
		9/2"
		1'-10 1/2"
		1'-10 1/2"

DIMENSIONS ARE OUT TO OUT

SPlice LENGTHS CHART		
BAR	SIZE	SPlice LENGTH
B1	#4	1'-10"
C1	#4	1'-10"
A200	#4	1'-10"
A400	#5	2'-4"
S2	#6	2'-9"
S3	#8	3'-8"

STAGE III QUANTITIES	
CLASS A CONCRETE	
BARREL @ 1.49 CY/FT	140.8 C.Y.
WINGS, ETC.	16.9 C.Y.
EDGE BEAMS	1.3 C.Y.
SILLS	0.8 C.Y.
TOTAL	159.8 C.Y.
REINFORCING STEEL	
BARREL & SILLS	17,066 LBS.
WINGS, ETC.	944 LBS.
TOTAL	18,008 LBS.
CULVERT EXCAVATION	LUMP SUM
FOUNDATION COND. MAT'L.	135 TONS

PROJECT NO. I-5987A
ROBESON COUNTY
 STATION: 354+06.00 -L-
 SHEET 9 OF 13

STATE OF NORTH CAROLINA
 DEPARTMENT OF TRANSPORTATION
 RALEIGH

DOUBLE 7 FT. X 7 FT.
 CONCRETE BOX CULVERT
 64° SKEW
 STAGE III

5/10/2022 10:32 AM EDT

DOCUMENT NOT CONSIDERED FINAL
 UNLESS ALL SIGNATURES COMPLETED

REVISIONS

NO.	BY:	DATE:	NO.	BY:	DATE:
1			3		
2			4		

SHEET NO. C21-9
 TOTAL SHEETS 13

TGS ENGINEERS
 706 HILLSBOROUGH STREET
 SUITE 200
 RALEIGH, NC 27603
 PH (919) 773-8887
 CORP. LICENSE NO.: C-0275

ASSEMBLED BY: ZCS DATE: 11/21
 CHECKED BY: MGC DATE: 12/21
 DRAWN BY: PD 10/90 REV. 6/19 MAA/THC
 CHECKED BY: ARB 10/90