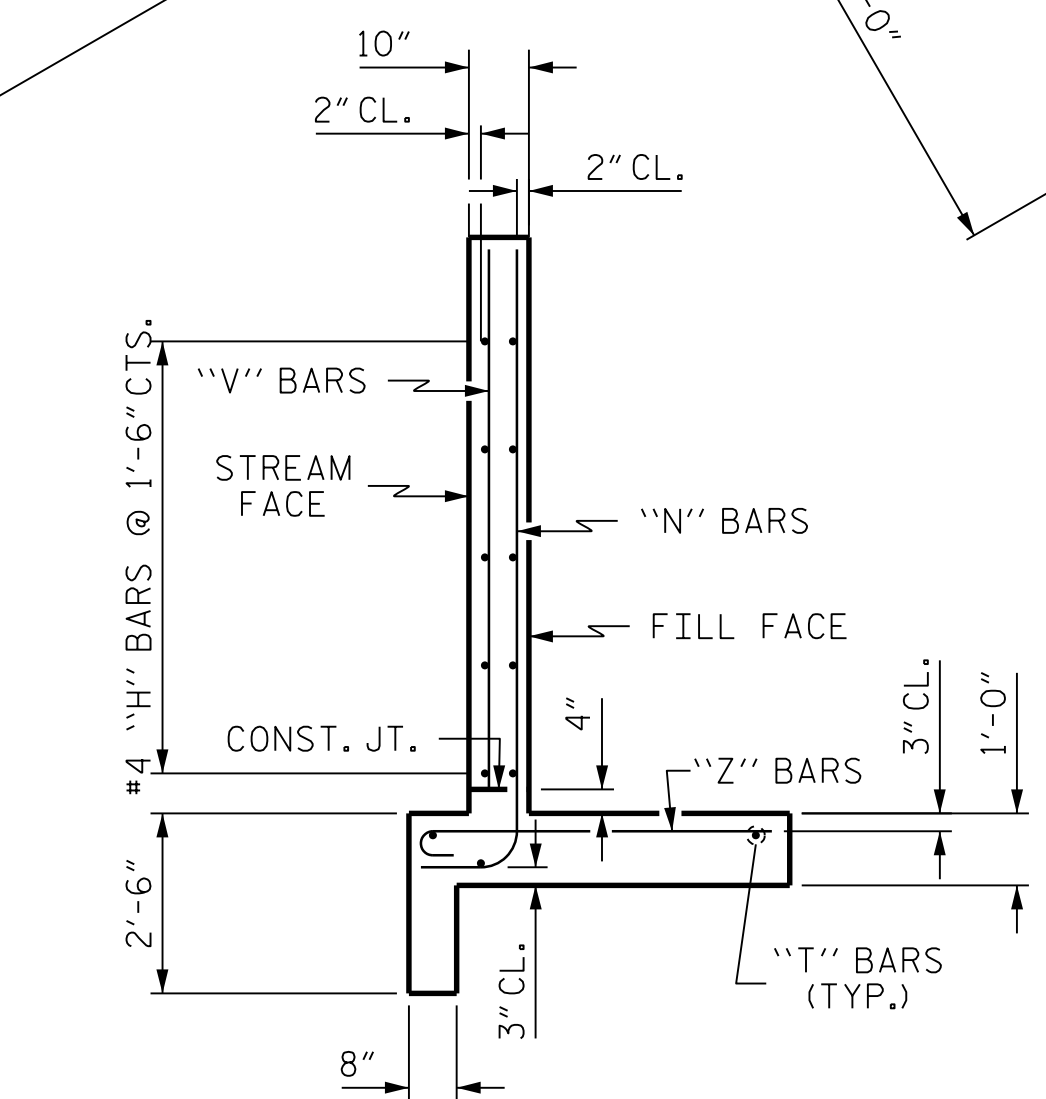
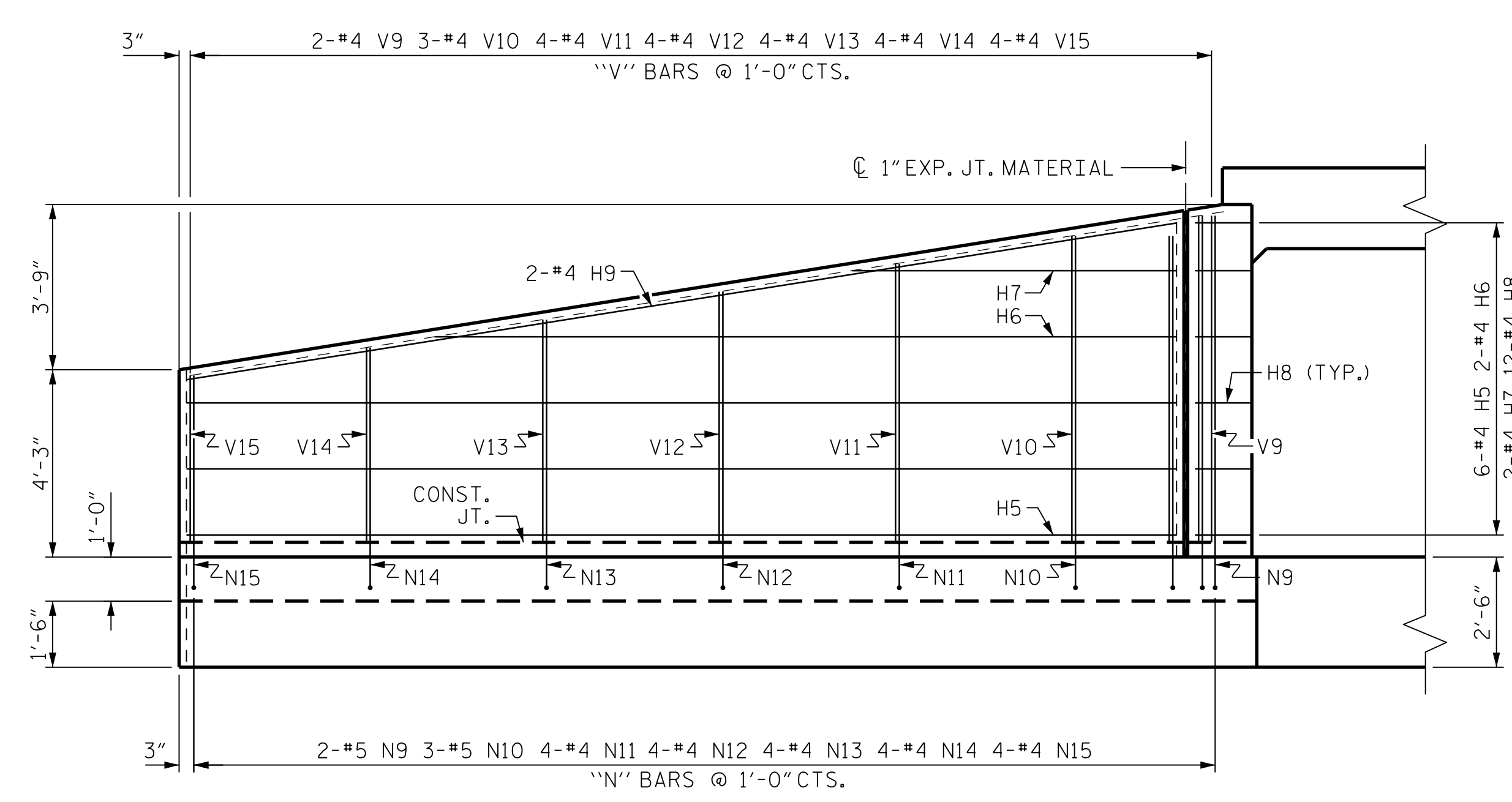


PLAN W1

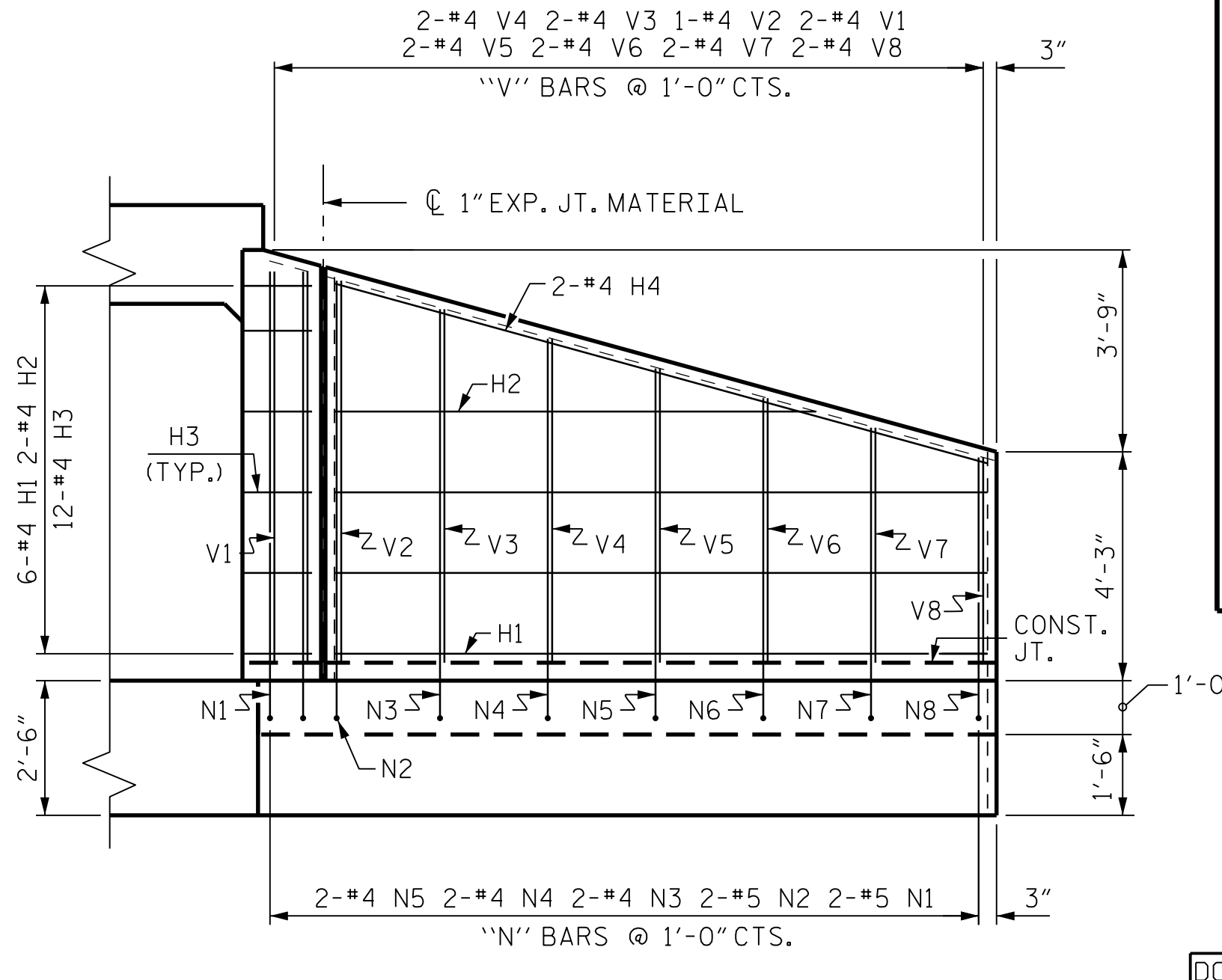
PLAN W2



TYPICAL WING SECTION



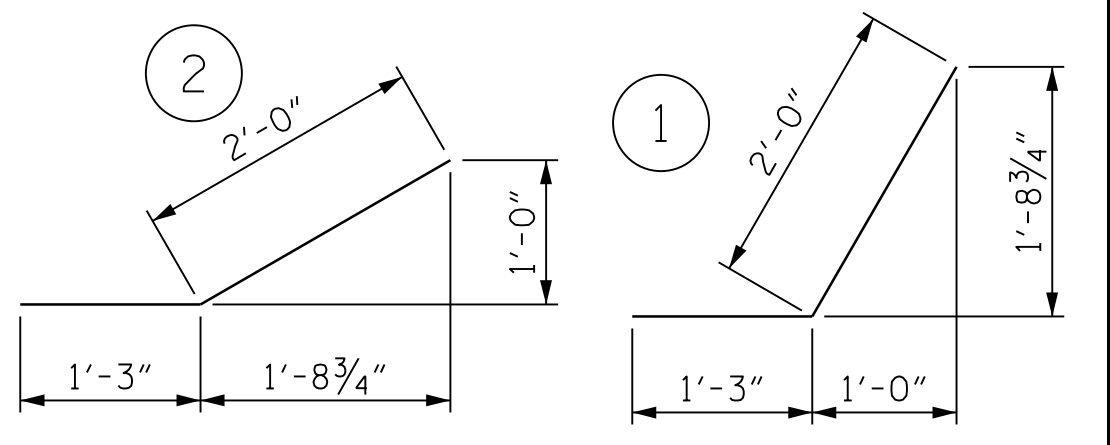
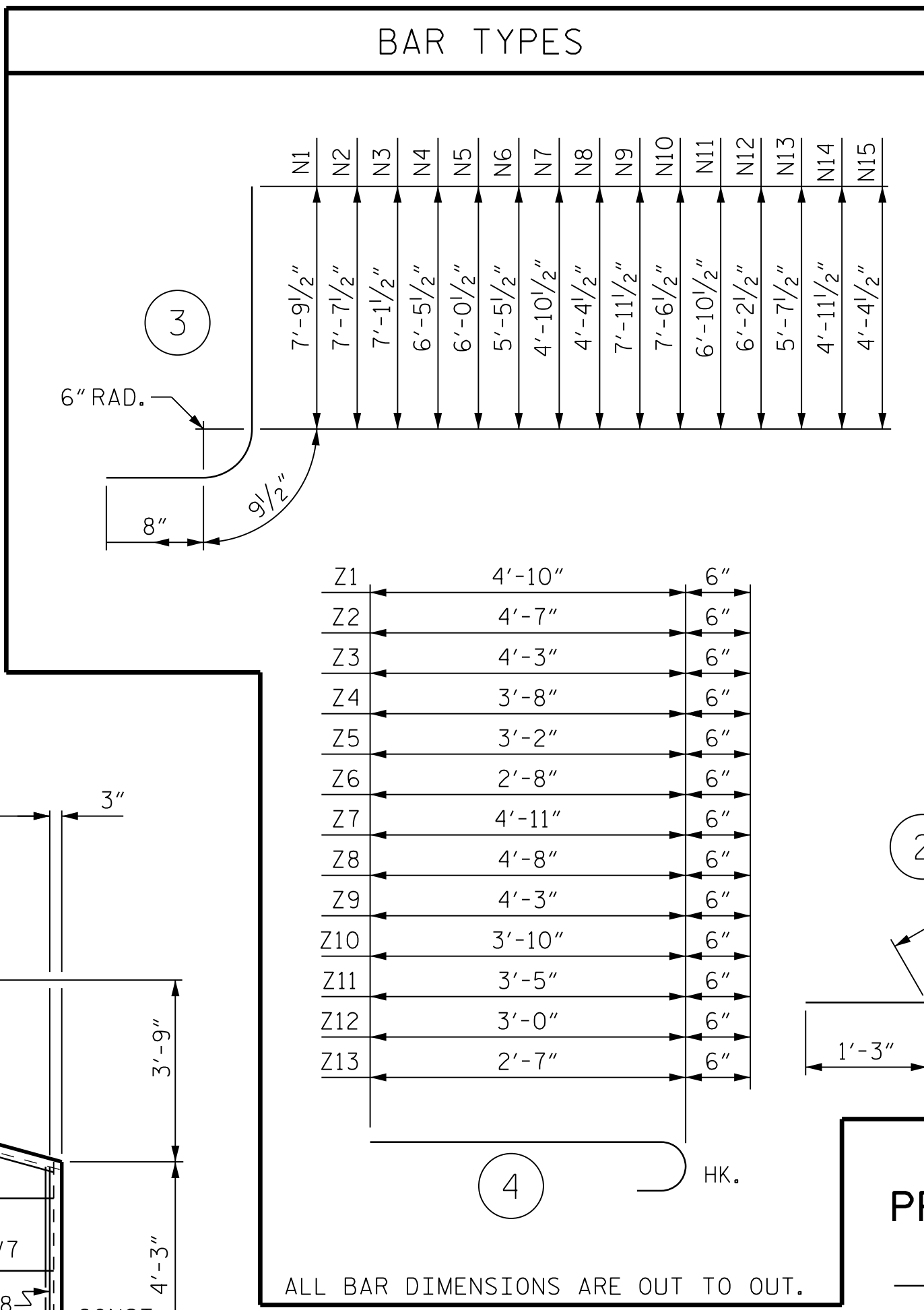
ELEVATION W1



ELEVATION W2

BILL OF MATERIAL											
BAR	NO.	SIZE	TYPE	LENGTH	WEIGHT	BAR	NO.	SIZE	TYPE	LENGTH	WEIGHT
Z1	4	#4	4	5'-4"	14	H1	12	#4	STR	12'-1"	97
Z2	4	#4	4	5'-1"	14	H2	4	#4	STR	8'-11"	24
Z3	4	#4	4	4'-9"	13	H3	24	#4	1	3'-3"	52
Z4	6	#4	4	4'-2"	17	H4	4	#4	STR	12'-7"	34
Z5	6	#4	4	3'-8"	15	H5	12	#4	STR	22'-5"	180
Z6	6	#4	4	3'-2"	13	H6	4	#4	STR	16'-10"	45
Z7	4	#4	4	5'-5"	14	H7	4	#4	STR	7'-4"	20
Z8	6	#4	4	5'-2"	21	H8	24	#4	2	3'-3"	52
Z9	8	#4	4	4'-9"	25	H9	4	#4	STR	22'-9"	61
Z10	8	#4	4	4'-4"	23						
Z11	8	#4	4	3'-11"	21	N1	4	#5	3	9'-3"	39
Z12	8	#4	4	3'-6"	19	N2	4	#5	3	9'-1"	19
Z13	8	#4	4	3'-1"	16	N3	4	#4	3	8'-7"	23
						N4	4	#4	3	8'-0"	21
						N5	4	#4	3	7'-6"	20
						N6	4	#5	3	6'-11"	18
						N7	6	#5	3	6'-4"	17
						N8	8	#4	3	5'-10"	16
						N9	8	#4	3	9'-5"	59
						N10	8	#4	3	9'-0"	56
						N11	4	#5	3	8'-4"	45
						N12	6	#5	3	7'-8"	41
						N13	8	#4	3	7'-1"	38
						N14	8	#4	3	6'-5"	34
						N15	8	#4	3	5'-10"	31
						S1	12	#6	STR	6'-0"	108
						T1	6	#5	STR	13'-10"	87
						T2	6	#5	STR	24'-4"	152
						V1	4	#4	STR	7'-3"	19
						V2	2	#4	STR	7'-1"	9
						V3	4	#4	STR	6'-7"	18
						V4	4	#4	STR	6'-0"	16
						V5	4	#4	STR	5'-6"	15
						V6	4	#4	STR	4'-11"	13
						V7	4	#4	STR	4'-4"	12
						V8	4	#4	STR	3'-10"	10
						V9	6	#4	STR	7'-5"	30
						V10	6	#4	STR	7'-0"	28
						V11	8	#4	STR	6'-4"	34
						V12	8	#4	STR	5'-8"	30
						V13	8	#4	STR	5'-1"	27
						V14	8	#4	STR	4'-5"	24
						V15	8	#4	STR	3'-10"	20

REINFORCING STEEL FOR 4 WINGS 1918 LBS
 CLASS A CONCRETE 4 WINGS 28.1 CY
 2 HEADWALLS 1.0 CY
 2 END CURTAIN WALLS 1.0 CY
 TOTAL 30.1 CY



PROJECT NO. I-5987A
 ROBESON COUNTY
 STATION: 242+85.00 -L-

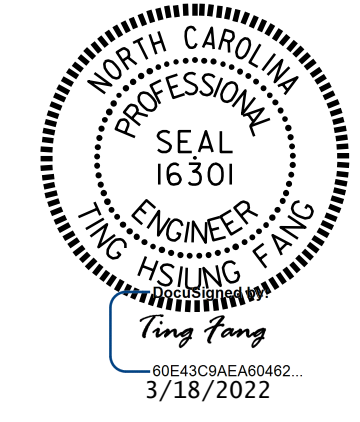
SHEET 7 OF 8
 DEPARTMENT OF TRANSPORTATION
 STANDARD WINGS
 FOR CONCRETE BOX CULVERT
 H = 7'-0" SLOPE = 3:1
 120° SKEW

DOCUMENT NOT CONSIDERED FINAL UNLESS ALL SIGNATURES COMPLETED

CDM Smith
 CDM SMITH
 5400 Glenwood Ave, Suite 400
 Raleigh, NC 27612-3228
 NC COA No. F-1255

DRAWN BY: JJR DATE: 9/21
 CHECKED BY: THF DATE: 11/21
 DESIGN ENGINEER: VDK DATE: 12/21

DWG. No. _____



REVISIONS						SHEET NO.	
NO.	BY:	DATE:	NO.	BY:	DATE:	C20-7	
1			3			TOTAL SHEETS 8	
2			4				