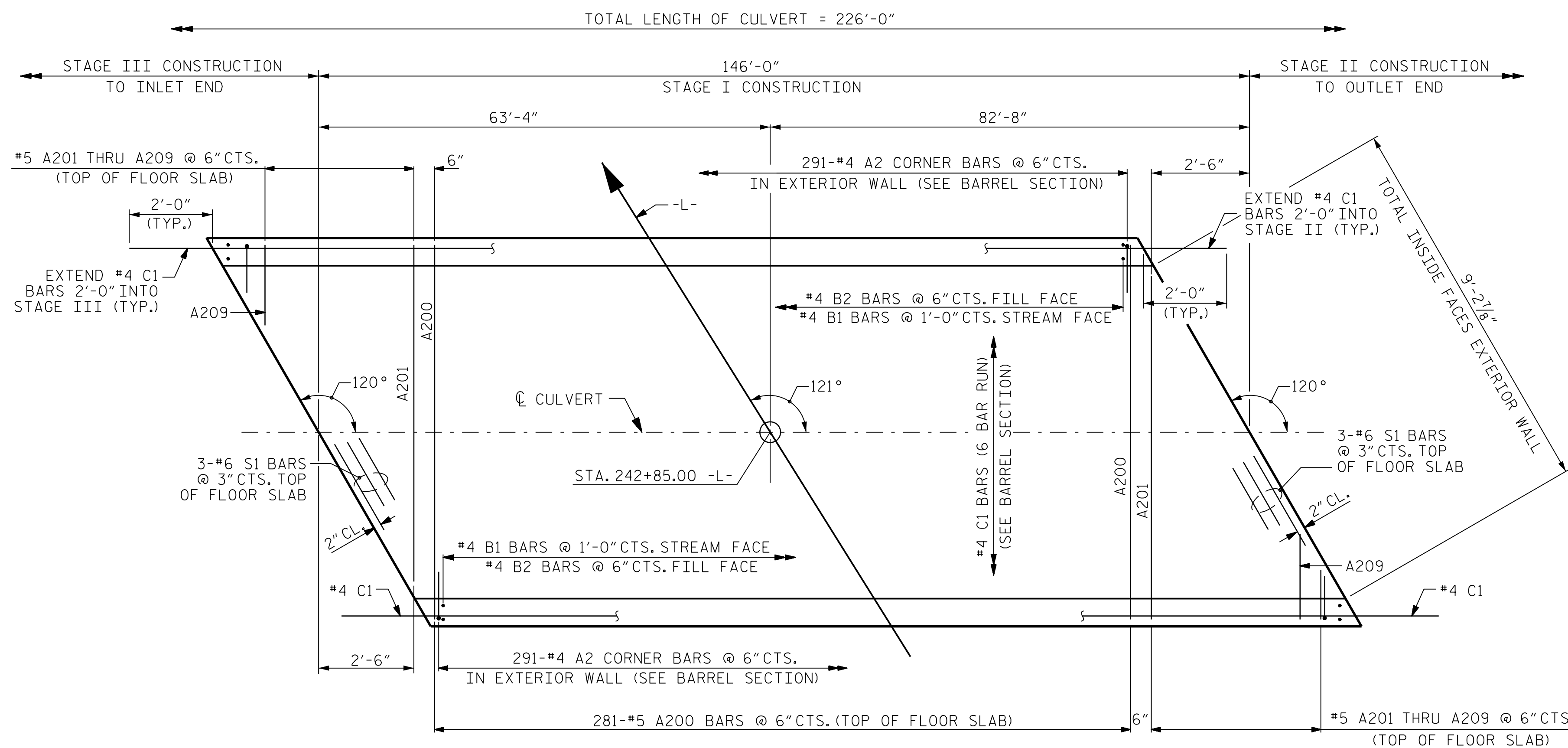
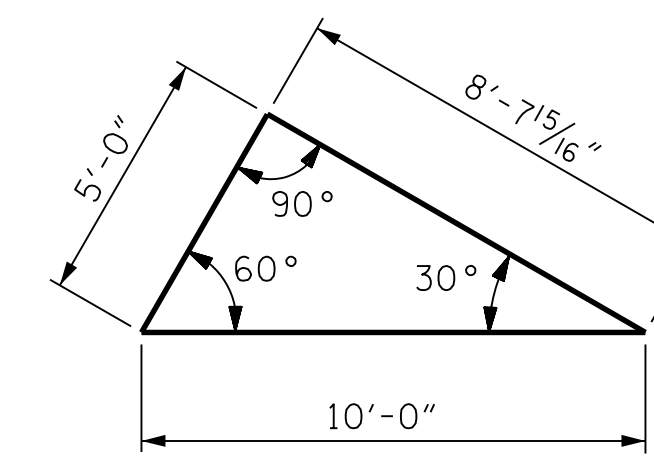


STAGE I - PLAN OF ROOF SLAB



STAGE I - PLAN OF FLOOR SLAB

STRUCTURE QUANTITIES	
STAGE I	
FOUNDATION COND. MAT'L	137 TONS
CULVERT EXCAVATION	LUMP SUM
CLASS A CONCRETE	
BARREL @ 0.955 CY/FT	139.4 C.Y.
TOTAL	139.4 C.Y.
REINFORCING STEEL	
BARREL	18,558 LBS.
TOTAL	18,558 LBS.

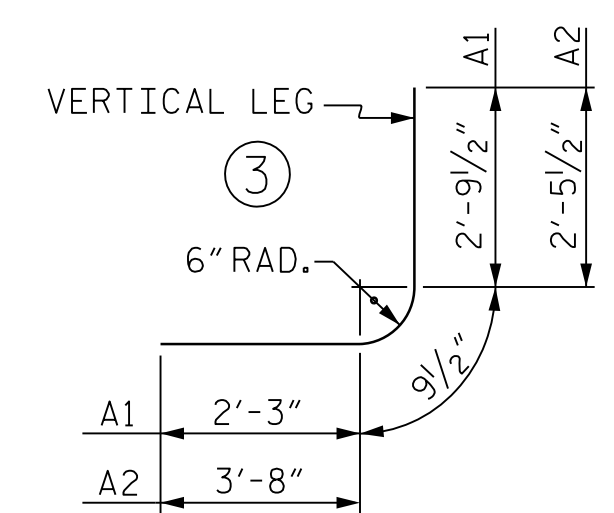


SKIEW TRIANGLE

REINFORCING BAR SCHEDULE					
STAGE I					
BAR	NO.	SIZE	TYPE	LENGTH	WEIGHT
A1	582	#4	3	5'-10"	2268
A2	582	#4	3	6'-11"	2689
A100	281	#5	STR	9'-0"	2638
A101	2	#5	STR	8'-6"	18
A102	2	#5	STR	7'-8"	16
A103	2	#5	STR	6'-9"	14
A104	2	#5	STR	5'-11"	12
A105	2	#5	STR	5'-0"	10
A106	2	#5	STR	4'-2"	9
A107	2	#5	STR	3'-4"	7
A108	2	#5	STR	2'-6"	5
A109	2	#5	STR	1'-7"	3
A200	281	#5	STR	9'-0"	2638
A201	2	#5	STR	8'-6"	18
A202	2	#5	STR	7'-8"	16
A203	2	#5	STR	6'-9"	14
A204	2	#5	STR	5'-11"	12
A205	2	#5	STR	5'-0"	10
A206	2	#5	STR	4'-2"	9
A207	2	#5	STR	3'-4"	7
A208	2	#5	STR	2'-6"	5
A209	2	#5	STR	1'-7"	3
B1	292	#4	STR	8'-5"	1642
B2	584	#4	STR	6'-4"	2471
C1	216	#4	STR	26'-7"	3836
S1	12	#6	STR	10'-5"	188

REINFORCING STEEL LBS. 18,558

BAR TYPE



BAR DIMENSIONS ARE OUT TO OUT

SPLICE LENGTHS CHART

BAR	SIZE	SPLICE LENGTH
C1	#4	1'-10"

PROJECT NO. I-5987A
ROBESON COUNTY
 STATION: 242+85.00 -L-

SHEET 3 OF 8

STATE OF NORTH CAROLINA
 DEPARTMENT OF TRANSPORTATION
 RALEIGH
 BARREL STANDARD
**SINGLE 8 FT. X 7 FT.
 CONCRETE BOX CULVERT**
STAGE I

REVISIONS

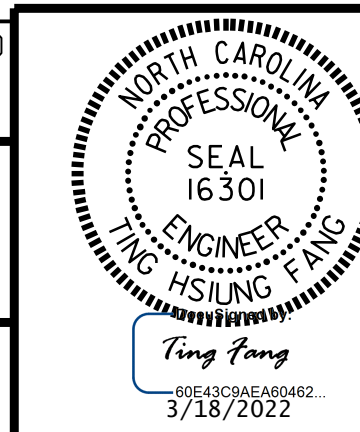
NO.	BY:	DATE:	NO.	BY:	DATE:
1			3		
2			4		

SHEET NO. **C20-3**

TOTAL SHEETS **8**

DOCUMENT NOT CONSIDERED FINAL UNLESS ALL SIGNATURES COMPLETED

CDM Smith
 CDM SMITH
 5400 Glenwood Ave, Suite 400
 Raleigh, NC 27612-3228
 NC COA No. F-1255



DRAWN BY: JJR DATE: 9/21
 CHECKED BY: THF DATE: 11/21
 DESIGN ENGINEER: VDK DATE: 12/21
 DWG. No.