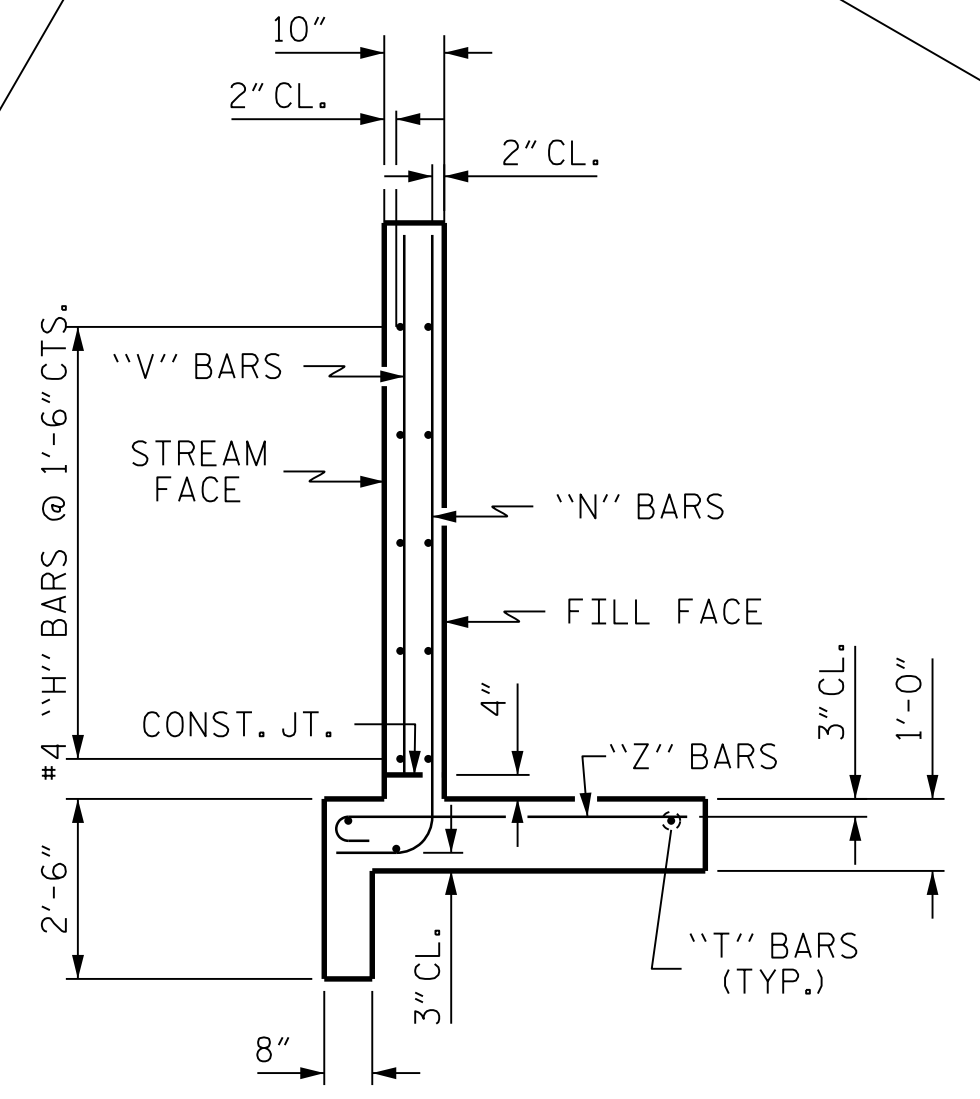
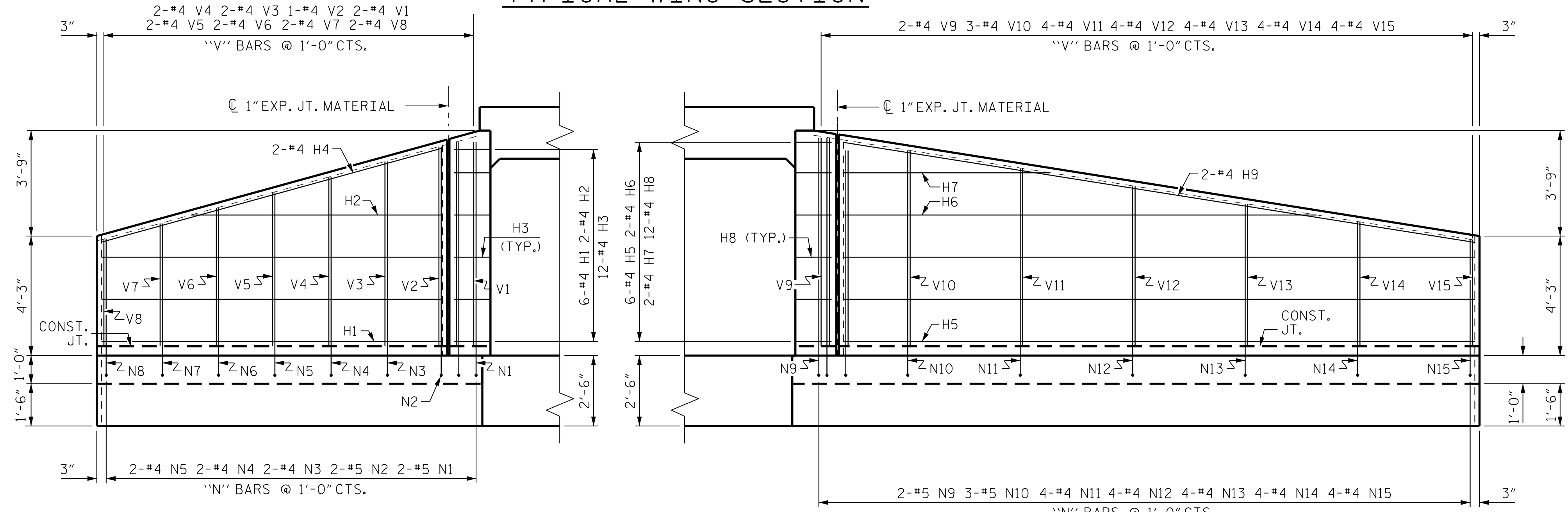


PLAN W1

PLAN W2



TYPICAL WING SECTION



ELEVATION W1

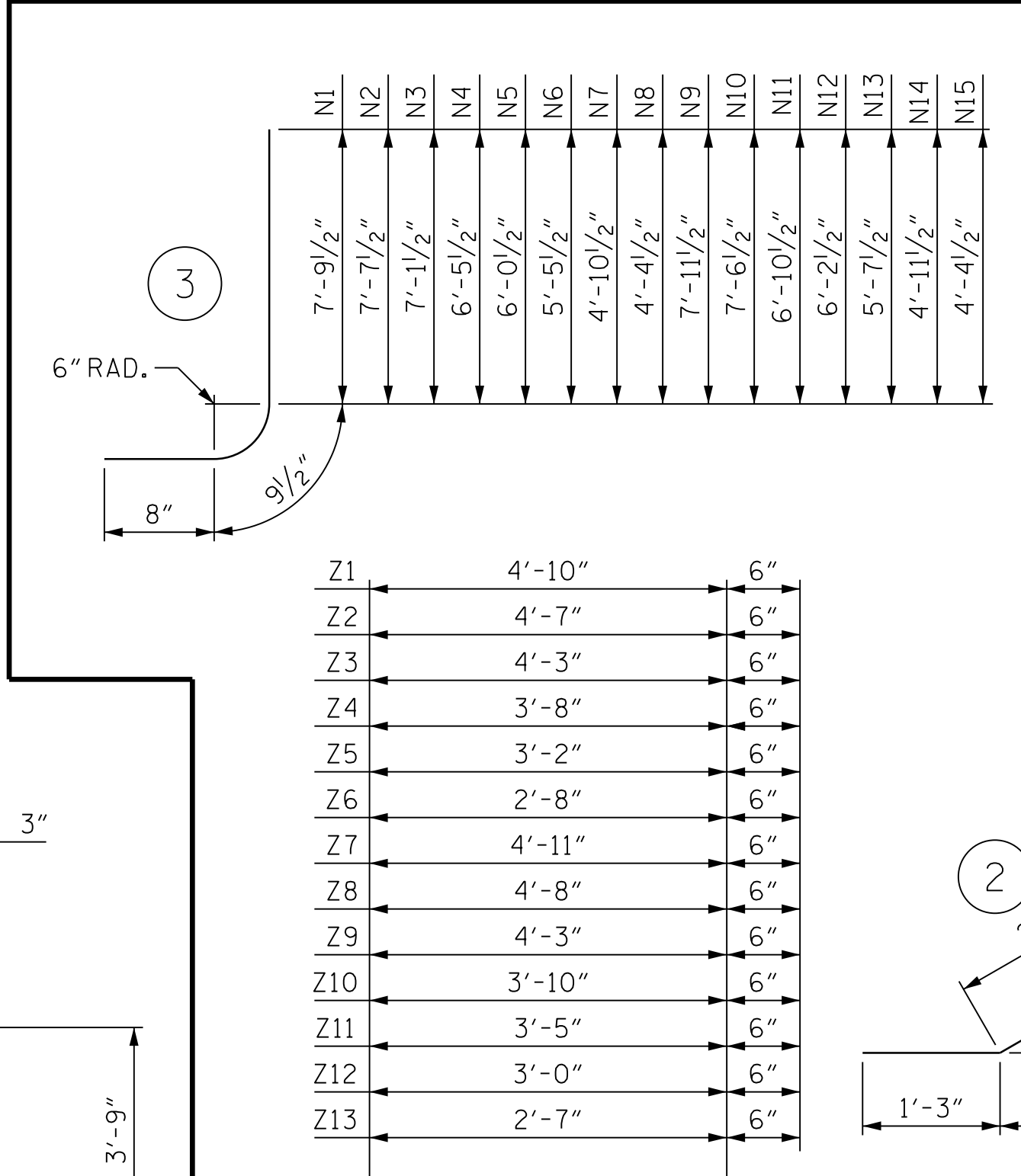
ELEVATION W2

BILL OF MATERIAL

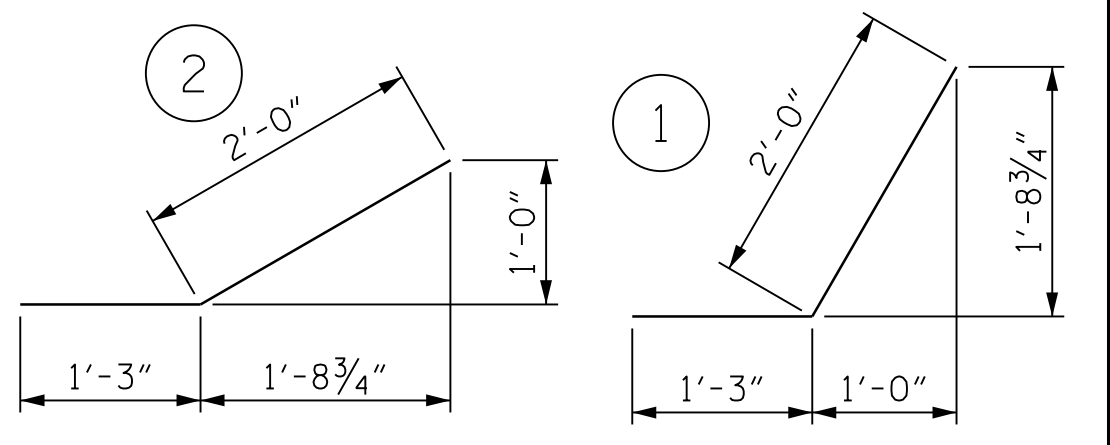
BAR NO.	SIZE	TYPE	LENGTH	WEIGHT	BAR NO.	SIZE	TYPE	LENGTH	WEIGHT		
Z1	4	#4	4	5'-4"	14	H1	12	#4	STR	12'-1"	97
Z2	4	#4	4	5'-1"	14	H2	4	#4	STR	8'-11"	24
Z3	4	#4	4	4'-9"	13	H3	24	#4	1	3'-3"	52
Z4	6	#4	4	4'-2"	17	H4	4	#4	STR	12'-7"	34
Z5	6	#4	4	3'-8"	15	H5	12	#4	STR	22'-5"	180
Z6	6	#4	4	3'-2"	13	H6	4	#4	STR	16'-10"	45
Z7	4	#4	4	5'-5"	14	H7	4	#4	STR	7'-4"	20
Z8	6	#4	4	5'-2"	21	H8	24	#4	2	3'-3"	52
Z9	8	#4	4	4'-9"	25	H9	4	#4	STR	22'-9"	61
Z10	8	#4	4	4'-4"	23						
Z11	8	#4	4	3'-11"	21	N1	4	#5	3	9'-3"	39
Z12	8	#4	4	3'-6"	19	N2	4	#5	3	9'-1"	19
Z13	8	#4	4	3'-1"	16	N3	4	#4	3	8'-7"	23

REINFORCING STEEL FOR 4 WINGS 1918 LBS
 CLASS A CONCRETE 4 WINGS 28.1 CY
 2 HEADWALLS 0.9 CY
 2 END CURTAIN WALLS 0.9 CY
 TOTAL 29.9 CY

BAR TYPES



S1	12	#6	STR	6'-0"	108
T1	6	#5	STR	13'-10"	87
T2	6	#5	STR	24'-4"	152
V1	4	#4	STR	7'-3"	19
V2	2	#4	STR	7'-1"	9
V3	4	#4	STR	6'-7"	18
V4	4	#4	STR	6'-0"	16
V5	4	#4	STR	5'-6"	15
V6	4	#4	STR	4'-11"	13
V7	4	#4	STR	4'-4"	12
V8	4	#4	STR	3'-10"	10
V9	6	#4	STR	7'-5"	30
V10	6	#4	STR	7'-0"	28
V11	8	#4	STR	6'-4"	34
V12	8	#4	STR	5'-8"	30
V13	8	#4	STR	5'-1"	27
V14	8	#4	STR	4'-5"	24
V15	8	#4	STR	3'-10"	20



ALL BAR DIMENSIONS ARE OUT TO OUT.

PROJECT NO. I-5987A
 ROBESON COUNTY
 STATION: 111+25.00 -L-

SHEET 7 OF 8

STATE OF NORTH CAROLINA
 DEPARTMENT OF TRANSPORTATION
 RALEIGH
 WINGS FOR
 CONCRETE BOX CULVERT
 H = 7'-0" SLOPE = 3:1
 60° SKEW

DOCUMENT NOT CONSIDERED FINAL UNLESS ALL SIGNATURES COMPLETED

CDM Smith
 CDM SMITH
 5400 Glenwood Avenue, Suite 400
 Raleigh, NC 27612-3228
 NC COA No. F-1255

DRAWN BY: JJR DATE: 8/21
 CHECKED BY: THF DATE: 8/21
 DESIGN ENGINEER: VDK DATE: 9/21

DWG. No.

NORTH CAROLINA PROFESSIONAL ENGINEER SEAL 16301
 TUNG FANG
 3/19/2022

REVISIONS						SHEET NO.	
NO.	BY:	DATE:	NO.	BY:	DATE:	C19-7	
1			3			TOTAL SHEETS 8	
2			4				