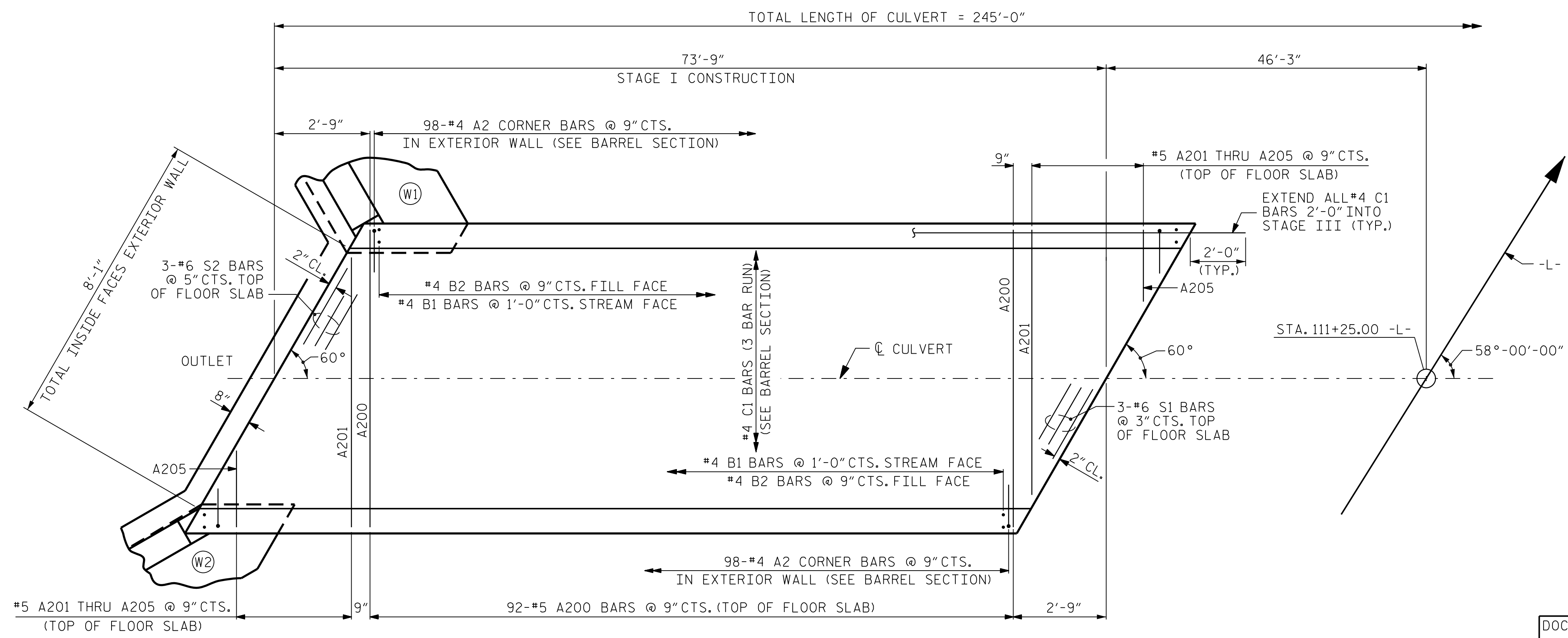
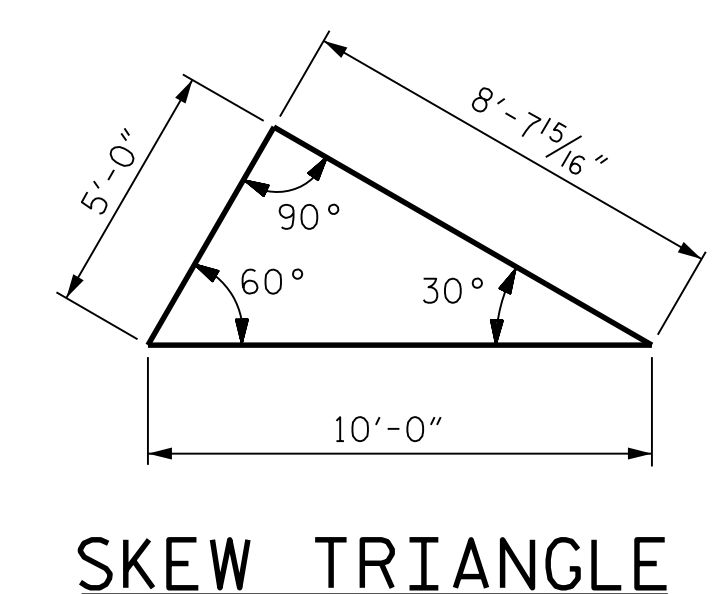


STAGE I - PLAN OF ROOF SLAB



STAGE I - PLAN OF FLOOR SLAB



SKEW TRIANGLE

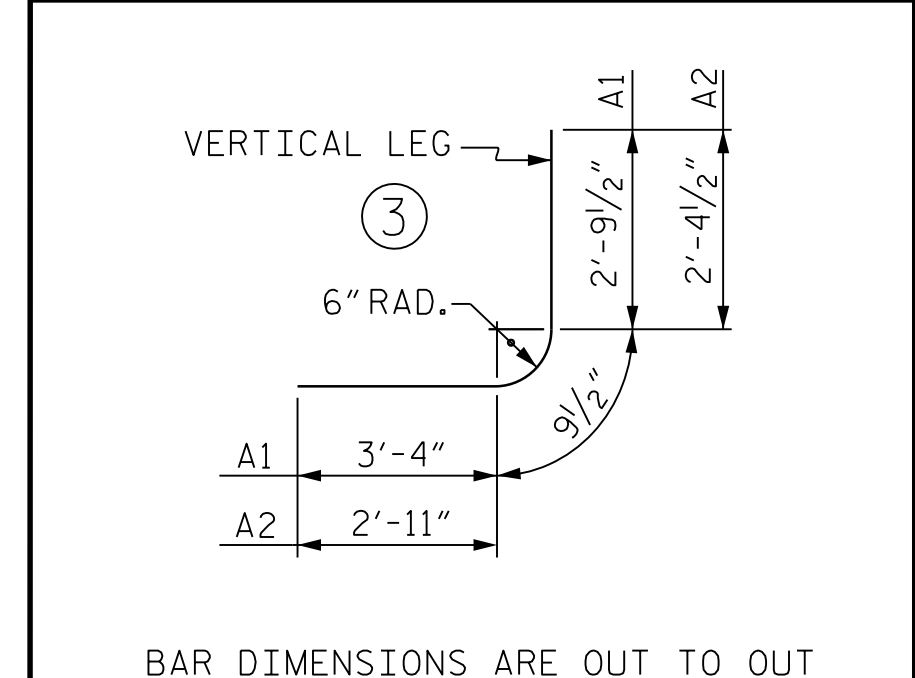
STRUCTURE QUANTITIES	
STAGE I	
FOUNDATION COND. MAT'L	64 TONS
CULVERT EXCAVATION	LUMP SUM
CLASS A CONCRETE	
BARREL @ 0.864 CY/FT	63.8 C.Y.
HEADWALL	0.5 C.Y.
WINGS & CURTAIN WALL	14.5 C.Y.
SILL	0.3 C.Y.
TOTAL	79.1 C.Y.
REINFORCING STEEL	
BARREL, SILL & HEADWALL	6,970 LBS.
2 WINGS	959 LBS.
TOTAL	7,929 LBS.

REINFORCING BAR SCHEDULE

STAGE I					
BAR	NO.	SIZE	TYPE	LENGTH	WEIGHT
A1	196	#4	3	6'-11"	906
A2	196	#4	3	6'-1"	796
A100	92	#5	STR	8'-0"	768
A101	2	#5	STR	7'-2"	15
A102	2	#5	STR	5'-10"	12
A103	2	#5	STR	4'-6"	9
A104	2	#5	STR	3'-3"	7
A105	2	#5	STR	1'-11"	4
A200	92	#5	STR	8'-0"	768
A201	2	#5	STR	7'-2"	15
A202	2	#5	STR	5'-10"	12
A203	2	#5	STR	4'-6"	9
A204	2	#5	STR	3'-3"	7
A205	2	#5	STR	1'-11"	4
B1	148	#4	STR	8'-4"	821
B2	196	#4	STR	6'-4"	829
C1	102	#4	STR	26'-5"	1800
D1	3	#6	STR	1'-5"	6
G1	2	#4	STR	9'-3"	12
S1	12	#6	STR	9'-3"	167

REINFORCING STEEL LBS. 6,970

BAR TYPE



SPLICE LENGTHS CHART

BAR	SIZE	SPLICE LENGTH
C1	#4	1'-10"

PROJECT NO. I-5987A
ROBESON COUNTY
 STATION: 111+25.00 -L-

SHEET 3 OF 8

STATE OF NORTH CAROLINA
 DEPARTMENT OF TRANSPORTATION
 RALEIGH
 BARREL STANDARD
 SINGLE 7 FT. X 7 FT.
 CONCRETE BOX CULVERT
 STAGE I

DOCUMENT NOT CONSIDERED FINAL UNLESS ALL SIGNATURES COMPLETED

CDM Smith
 CDM SMITH
 5400 Glenwood Avenue, Suite 400
 Raleigh, NC 27612-3228
 NC COA No. F-1255

DRAWN BY: JJR DATE: 8/21
 CHECKED BY: THF DATE: 8/21
 DESIGN ENGINEER: VDK DATE: 9/21

DWG. No.



REVISIONS					
NO.	BY:	DATE:	NO.	BY:	DATE:
1			3		
2			4		

SHEET NO. **C19-3**
 TOTAL SHEETS 8