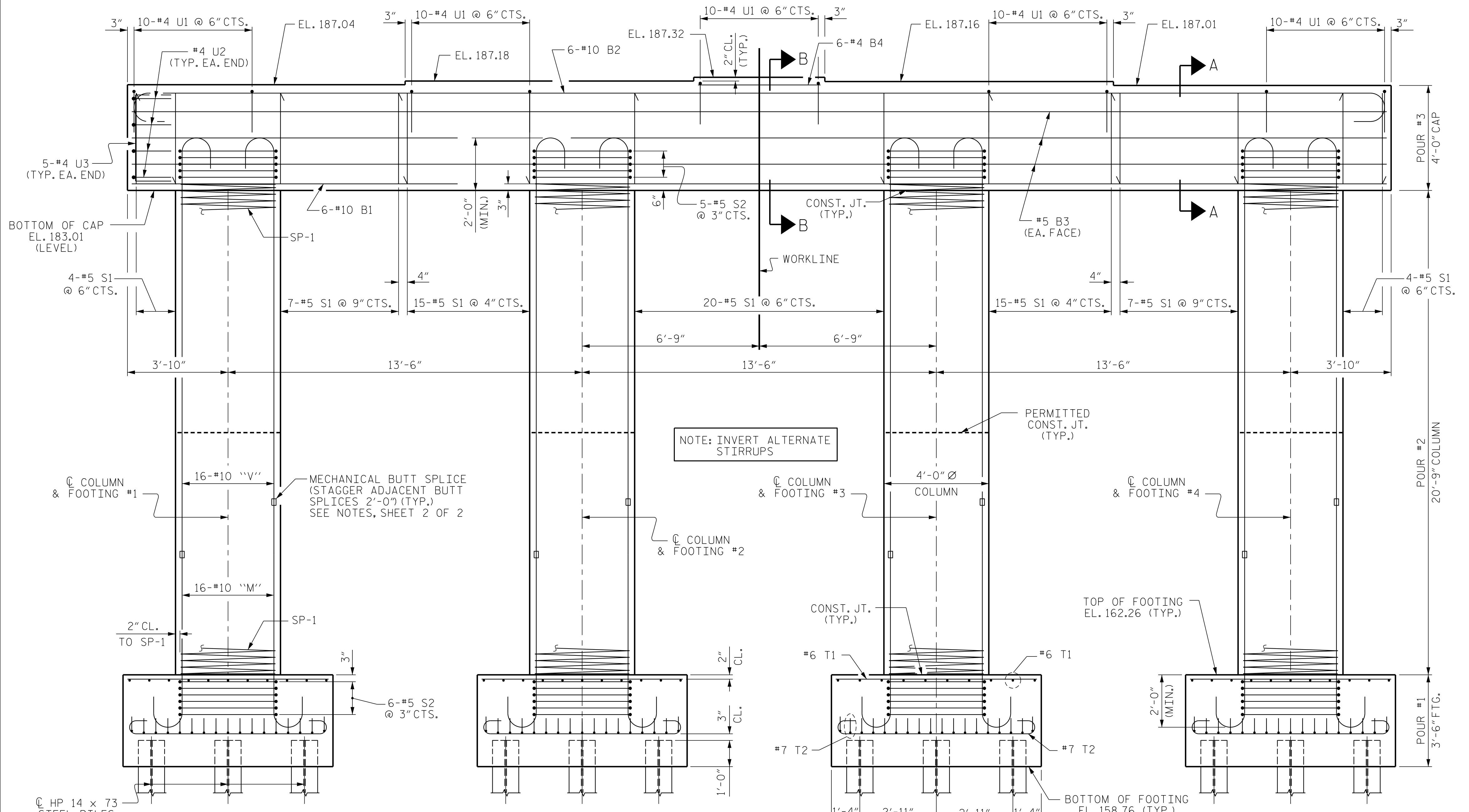
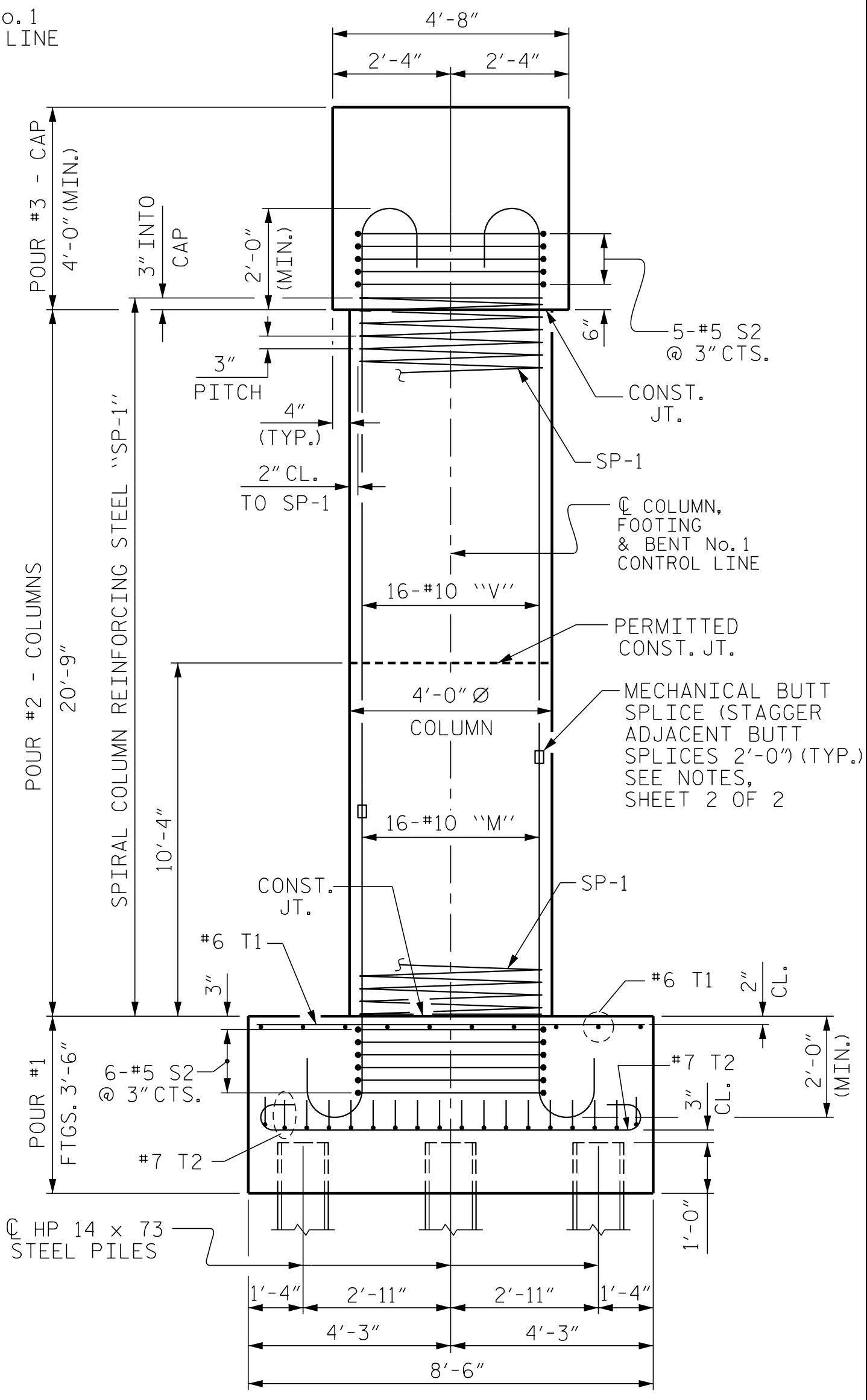


PLAN



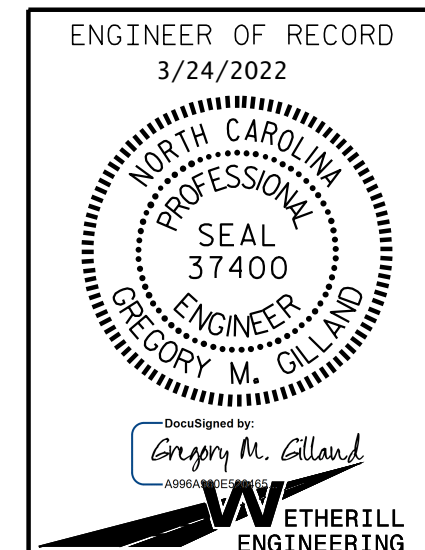
ELEVATION

PILE PLACEMENT, REINFORCING STEEL AND DIMENSIONS ARE TYPICAL FOR EACH FOOTING AND COLUMN.



END ELEVATION

PROJECT NO. I-5987A
 ROBESON COUNTY
 STATION: 30+04.11 -Y3-
 SHEET 1 OF 2



STATE OF NORTH CAROLINA
 DEPARTMENT OF TRANSPORTATION
 RALEIGH

SUBSTRUCTURE
 BENT No. 1

DRAWN BY : D. HODGE DATE : 10/21
 CHECKED BY : G. GILLAND DATE : 10/21

DOCUMENT NOT CONSIDERED FINAL
 UNLESS ALL SIGNATURES COMPLETED

REVISIONS						SHEET NO.	
NO.	BY:	DATE:	NO.	BY:	DATE:	S3-22	
1			3			TOTAL SHEETS	
2			4			29	

PA-202 121331.02 I-5987A BridgeStructuresDGN\401_001_15987A-SMU_BT_001.dgn
 3/21/2022 11:11:35 AM