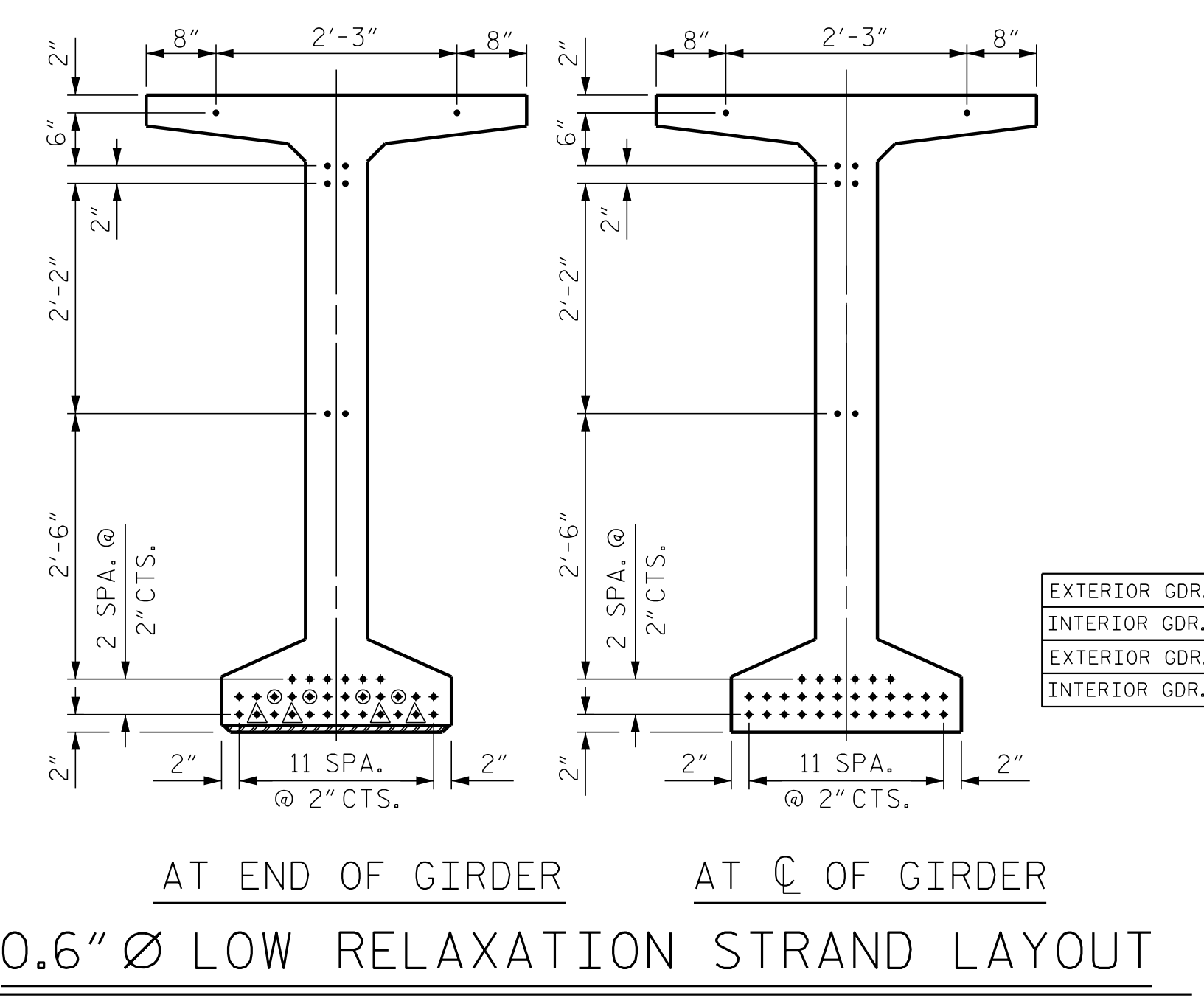


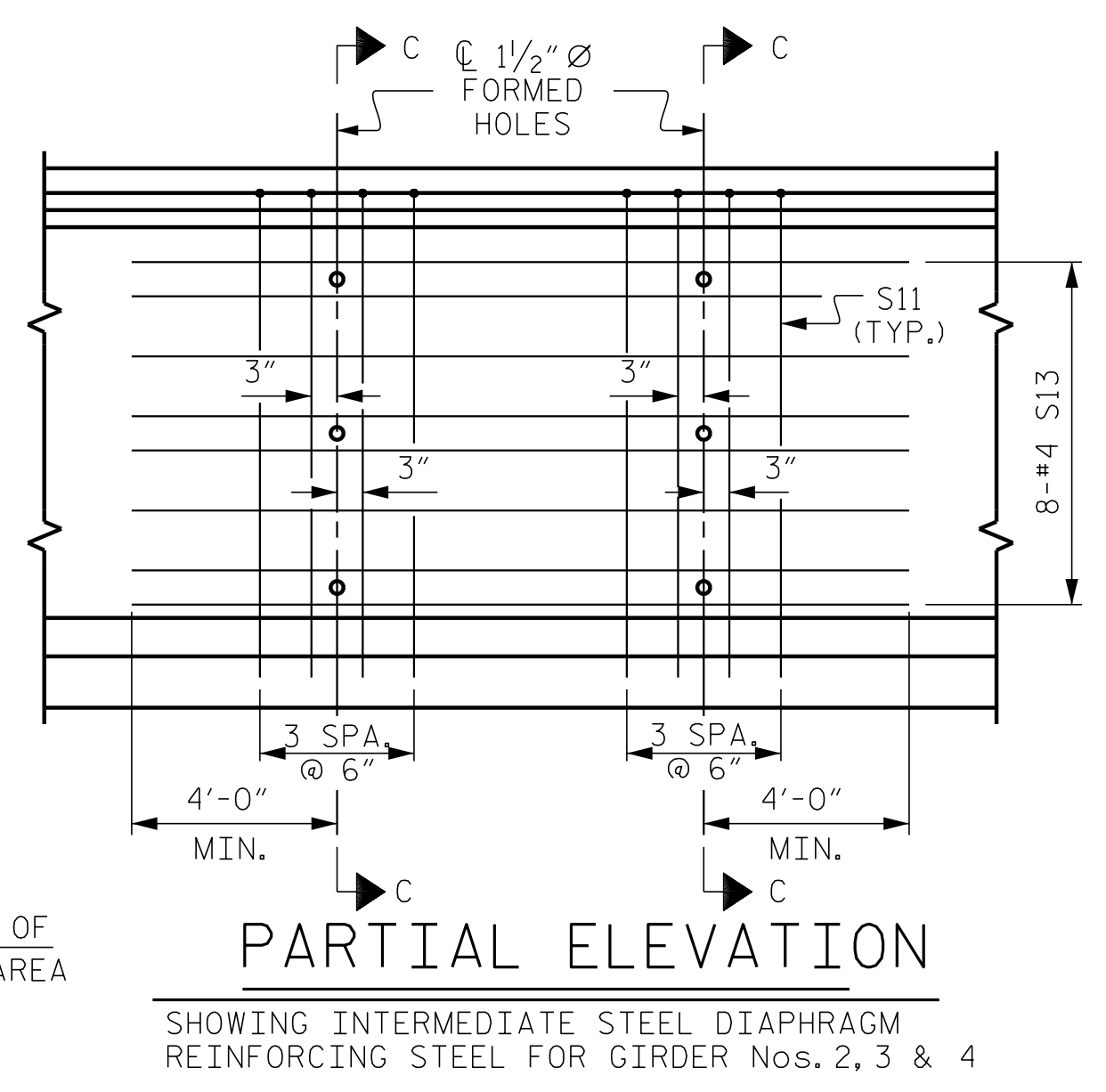
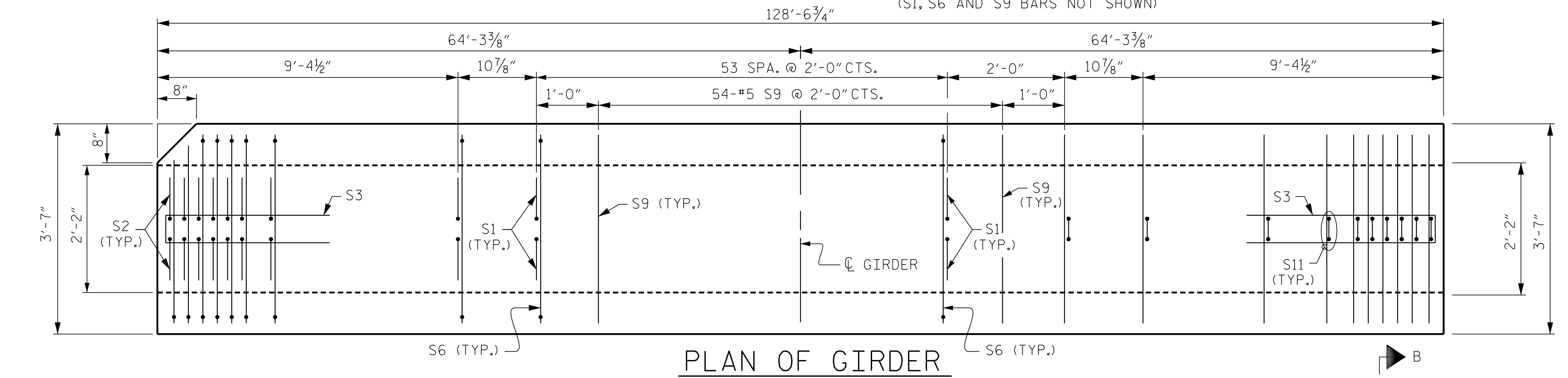
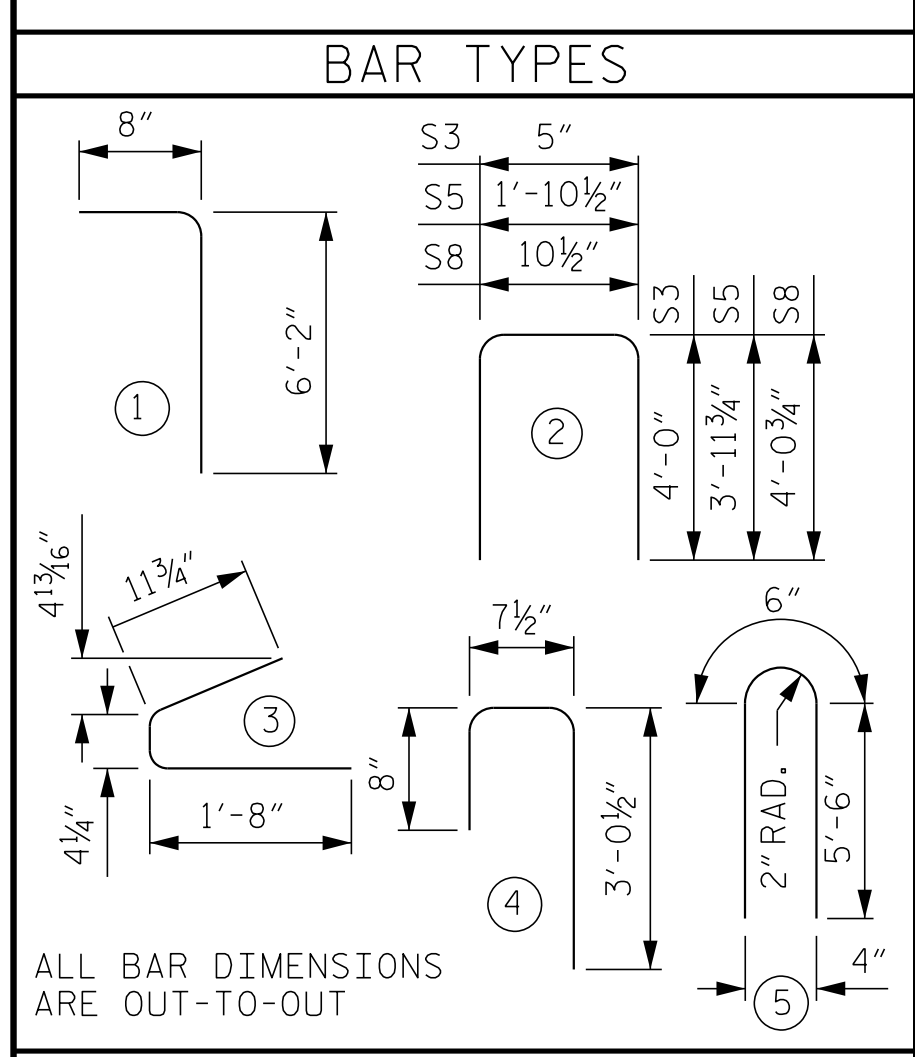
DEBONDING LEGEND

- FULLY BONDED STRANDS
- STRANDS DEBONDED FOR 4'-0" FROM END OF GIRDER
- △ STRANDS DEBONDED FOR 8'-0" FROM END OF GIRDER



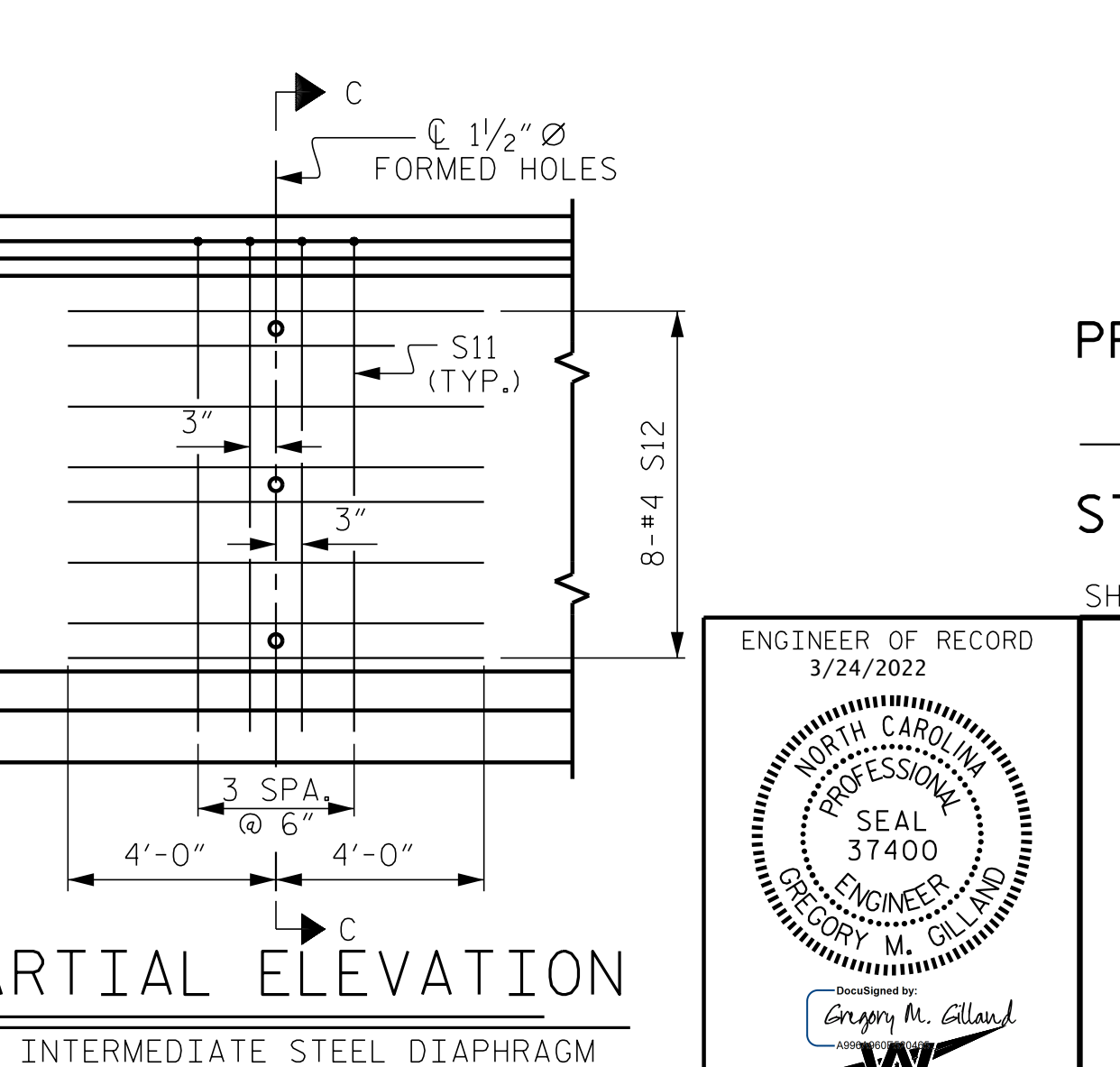
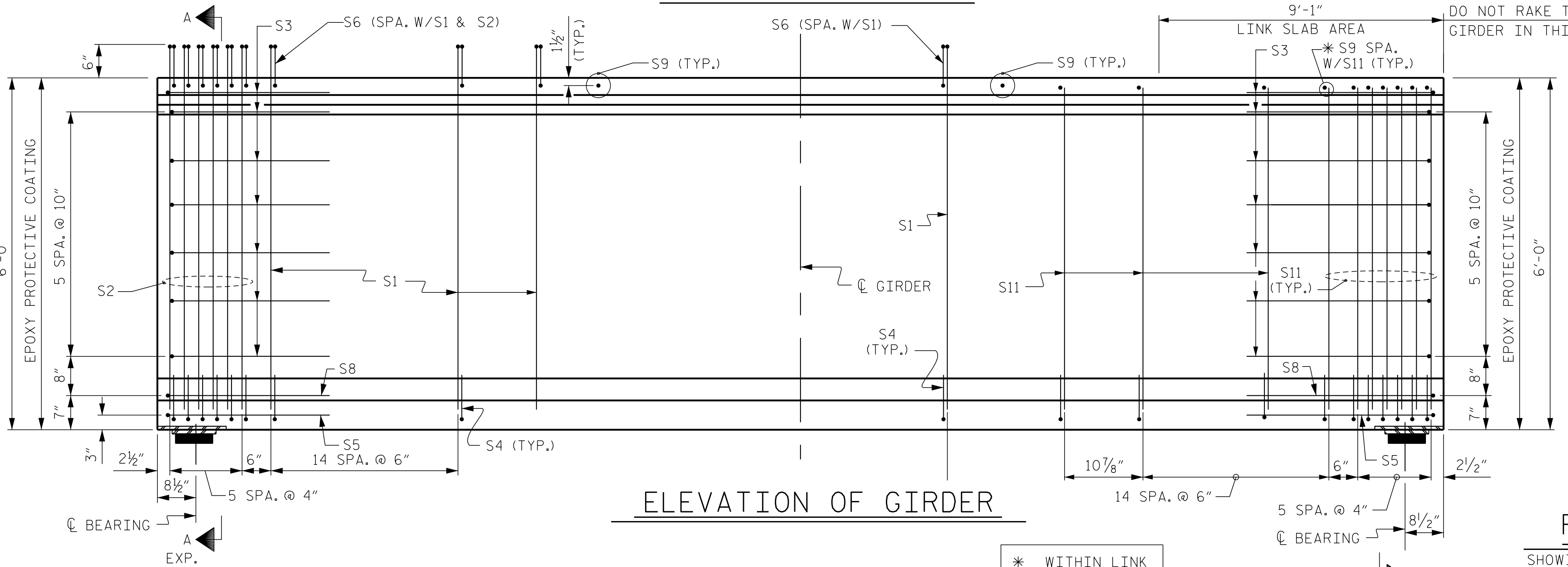
0.6" Ø L.R. GRADE 270 STRANDS		
AREA (SQUARE INCHES)	ULTIMATE STRENGTH (LBS. PER STRAND)	APPLIED PRESTRESS (LBS. PER STRAND)
0.217	58,600	43,950

REINFORCING STEEL FOR ONE GDR					
BAR NUMBER	SIZE	TYPE	LENGTH	WEIGHT	
S1	138	#4	1	6'-10"	630
S2	12	#5	1	6'-10"	86
S3	14	#4	2	8'-5"	79
S4	84	#4	3	3'-0"	168
S5	2	#5	2	9'-10"	21
S6	150	#5	4	4'-4"	678
S8	2	#5	2	9'-0"	19
S9	76	#5	STR	3'-3"	258
EXTERIOR GDR. S11	30	#5	5	11'-6"	360
INTERIOR GDR. S11	38	#5	5	11'-6"	456
EXTERIOR GDR. S12	16	#4	STR	8'-0"	86
INTERIOR GDR. S13	16	#4	STR	16'-4"	175



QUANTITIES FOR ONE GIRDER			
GIRDERS	REINFORCING STEEL	10,000 PSI CONCRETE	0.6" Ø L.R. STRANDS
	LB.	C.Y.	No.
INTERIOR	2570	27.5	38
EXTERIOR	2385	27.5	38

GIRDERS REQUIRED		
NUMBER	LENGTH	TOTAL LENGTH
10	128'-6 3/4"	1,285.63'



PROJECT NO. I-5987A
 ROBESON COUNTY
 STATION: 30+04.11 -Y3-
 SHEET 1 OF 3



REVISIONS					
NO.	BY:	DATE:	NO.	BY:	DATE:
1			3		
2			4		

SHEET NO.	
3	10
TOTAL SHEETS	29

P:\2022\121331.02_I-5987A BridgeStructures\DWG\1_001_I5987A_SMU_PCG_001.dgn
 3/8/2022 11:41:57 AM

ASSEMBLED BY : D. HODGE DATE : 11/21
 CHECKED BY : JAD/GMG DATE : 11/21
 DRAWN BY : BNB 9/21 REV.
 CHECKED BY : AAI 9/21 REV.

* WITHIN LINK SLAB AREA ONLY

DOCUMENT NOT CONSIDERED FINAL UNLESS ALL SIGNATURES COMPLETED