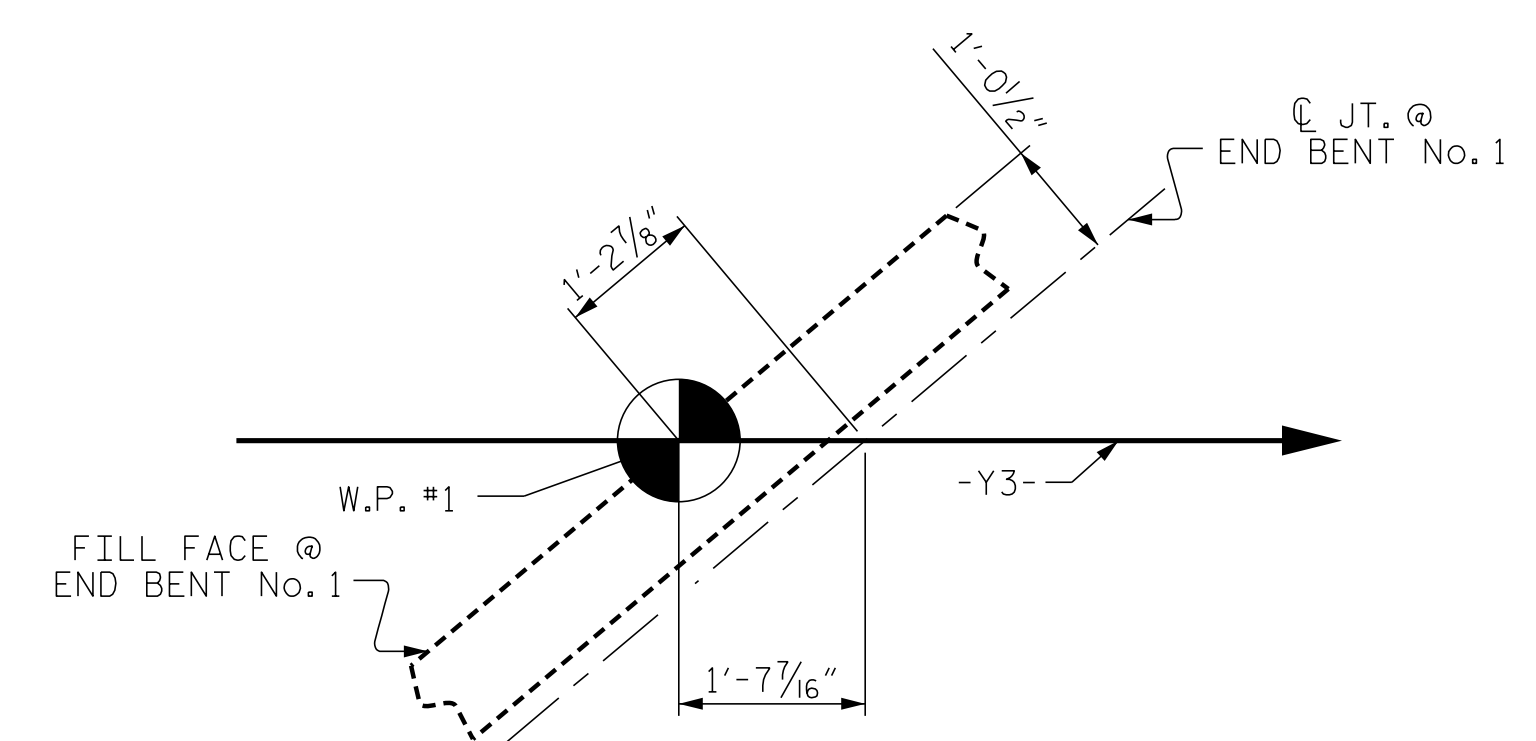


PLAN OF SPAN A

FOR LOCATIONS OF INTERMEDIATE STEEL DIAPHRAGMS, SEE "GIRDER LAYOUT" SHEET.

PROJECT NO. I-5987A
ROBESON COUNTY
 STATION: 30+04.11 -Y3-

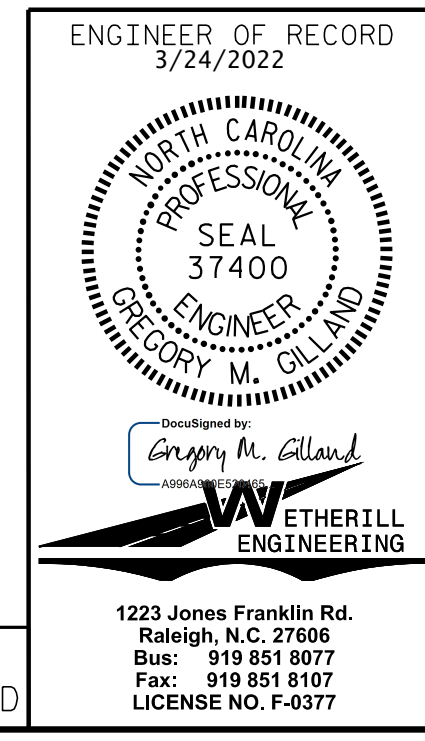
SHEET 1 OF 2



DETAIL "A"

DRAWN BY: DAH/GMG DATE: 11/21
 CHECKED BY: J. DILWORTH DATE: 11/21

DOCUMENT NOT CONSIDERED FINAL
 UNLESS ALL SIGNATURES COMPLETED



STATE OF NORTH CAROLINA
 DEPARTMENT OF TRANSPORTATION
 RALEIGH

**SUPERSTRUCTURE
 PLAN OF SPANS
 SPAN A**

| REVISIONS | | | | | |
|-----------|-----|-------|-----|-----|-------|
| NO. | BY: | DATE: | NO. | BY: | DATE: |
| 1 | | | 3 | | |
| 2 | | | 4 | | |

| | | |
|--------------|--|------|
| SHEET NO. | | S3-7 |
| TOTAL SHEETS | | 29 |

P:\2021\21331.02_I-5987A BridgeStructures\DWG\401_001_I5987A_SMU_PS_001.dgn
 3/8/2022 11:08:59 AM